

PARTS LIST

MSD41T 5/8INCH

CONTENTS

1. PUMP	1
2. RELIEF VALVE	3
3. ACCESSORIES	5

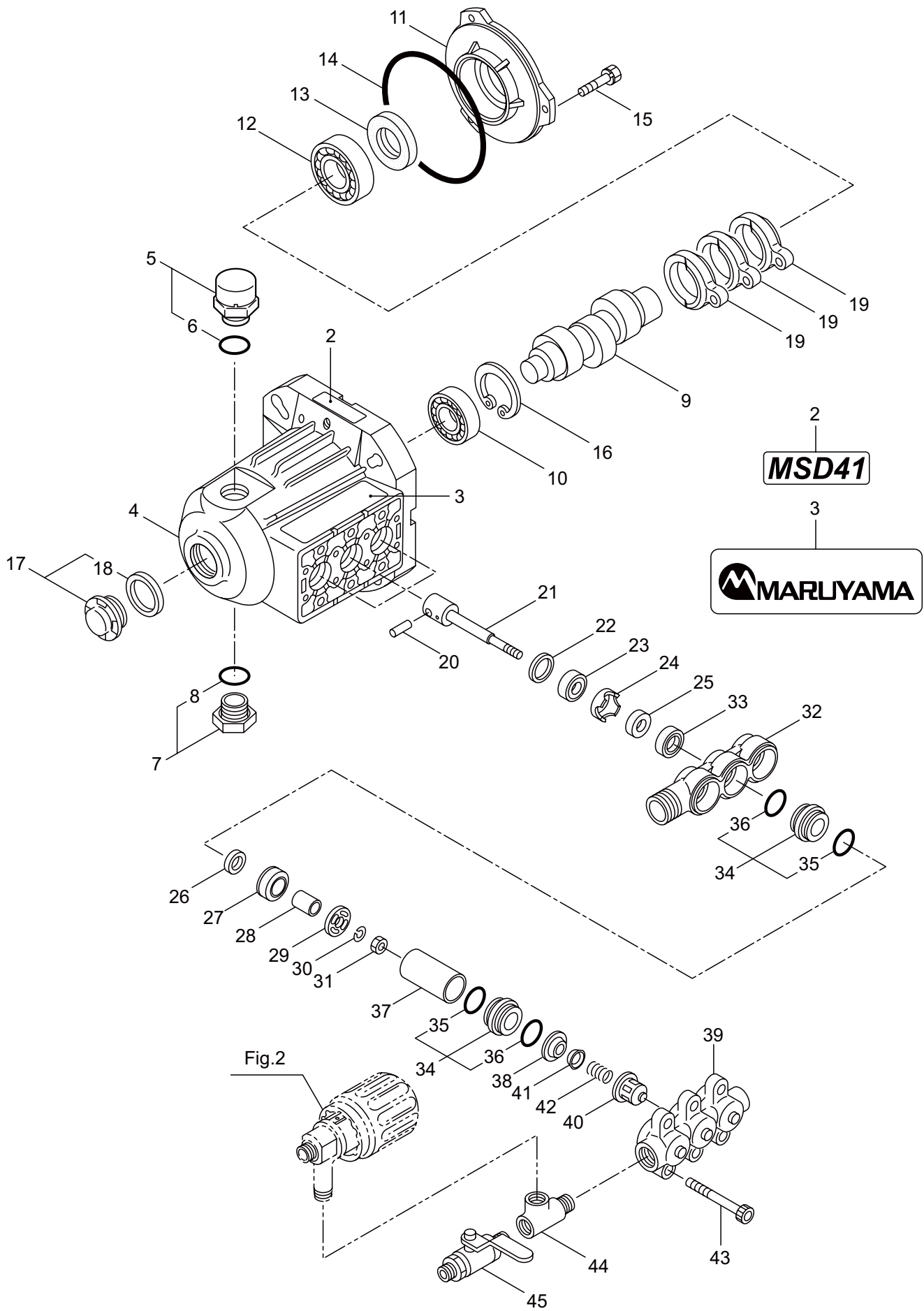
2022. 08.



P/N 525447

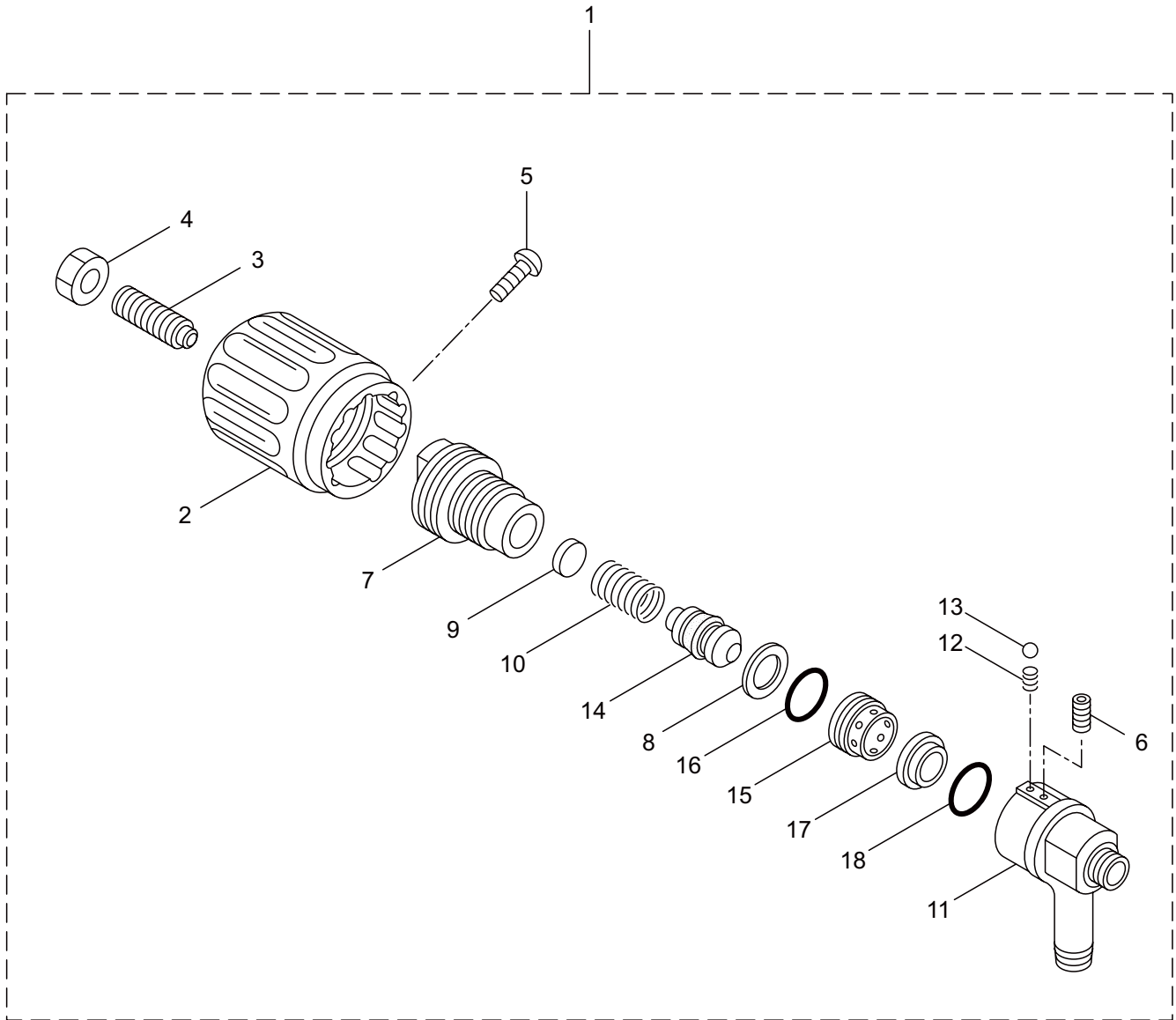
MSD41T 5/8INCH

1. PUMP



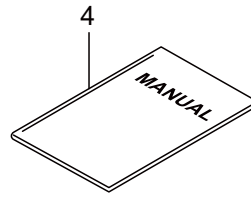
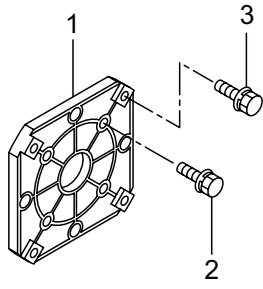
Ref. No.	Part No.	Part Name	Q'ty	Remarks
1-1	366538	MSD41T	1	5/8inch
1-2	566346	Label	1	MSD41
1-3	566347	Label	1	
1-4	566224	Crankcase	1	
1-5	566687	Oil Inlet Cap Ass'y	1	Incl.6
1-6	566348	O-Ring	1	P20
1-7	811174	Plug Ass'y	1	Incl.8
1-8	566348	O-Ring	1	P20
1-9	661057	Crankshaft	1	
1-10	566350	Bearing	1	#6204
1-11	566235	Bearing Case	1	
1-12	566351	Bearing	1	#6006
1-13	566352	Oil Seal	1	D30428
1-14	566353	O-Ring	1	S100
1-15	566354	Hex Head Bolt	3	M6x14
1-16	566355	Snap Ring	1	H47
1-17	566356	Oil Gauge Ass'y	1	Incl.18
1-18	566359	Packing	1	25x34xt2
1-19	566237	Connrod	3	
1-20	566360	Piston Pin	3	9x22
1-21	566361	Piston Rod Comp	3	
1-22	566366	Plain Washer	3	17x24xt1.2
1-23	566367	Oil Seal	3	S10.5247
1-24	566239	Retainer	3	
1-25	566368	Packing	3	10x19x6.5
1-26	566369	Suction Valve	3	6.1x20xt2.8
1-27	566371	Piston Packing	3	25
1-28	566373	Suction Disc Collar	3	6x8.5x10.5
1-29	566374	Stopper	3	
1-30	566375	Spring Washer	3	M6
1-31	566376	Nylon Nut	3	M6
1-32	566377	Manifold (A)	1	
1-33	566379	Low Pressure Seal	3	
1-34	566381	Pipe Adapter Ass'y	6	Incl.35,36
1-35	566383	O-Ring	6	P21
1-36	566384	O-Ring	6	P22
1-37	566385	Cylinder Pipe	3	25x28.5xL43
1-38	566386	Valve Seat	3	
1-39	566387	Manifold (B)	1	
1-40	566240	Valve Retainer	3	
1-41	566389	Valve	3	16x1.5
1-42	566391	Compession Spring	3	
1-43	566392	Cap Screw	6	M8x110x28
1-44	566411	Tees	1	RC3/8xR3/8
1-45	541796	Cock Ass'y	1	R3/8xG1/4

MSD41T 5/8INCH
2. RELIEF VALVE



Ref. No.	Part No.	Part Name	Q'ty	Remarks
2-1	566679	Relief Valve Ass'y	1	Incl.2-18
2-2	566242	Knob	1	
2-3	566394	Hex Socket Set Screw	1	M8x35
2-4	566395	Hex Nut	1	M8
2-5	566396	Round Machine Screw	2	M3x5
2-6	566397	Hex Socket Set Screw	1	M4x6
2-7	566398	Guide	1	
2-8	566399	Plain Washer	1	16x21xt0.6
2-9	566400	Spring Seat	1	15xt2.5
2-10	566401	Compeession Spring	1	
2-11	566402	Relief Valve Body	1	
2-12	566403	Compeession Spring	1	
2-13	566404	Valve Ball	1	5/32
2-14	566658	Piston Ass'y	1	
2-15	566408	Sleeve	1	
2-16	566409	O-Ring	1	P16
2-17	566410	Valve Seat	1	
2-18	566409	O-Ring	1	P16

MSD41T 5/8INCH
3. ACCESSORIES



Ref. No.	Part No.	Part Name	Q'ty	Remarks
3-1	566245	Flange	1	
3-2	566690	Hex Head Bolt	4	5/16-24UNFx20
3-3	566415	Hex Head Bolt	4	3/8-16UNCx35SMK
3-4	566433	Instruction Manual	1	MSD41/45