

PARTS LIST

MSD41T 3/4INCH

CONTENTS

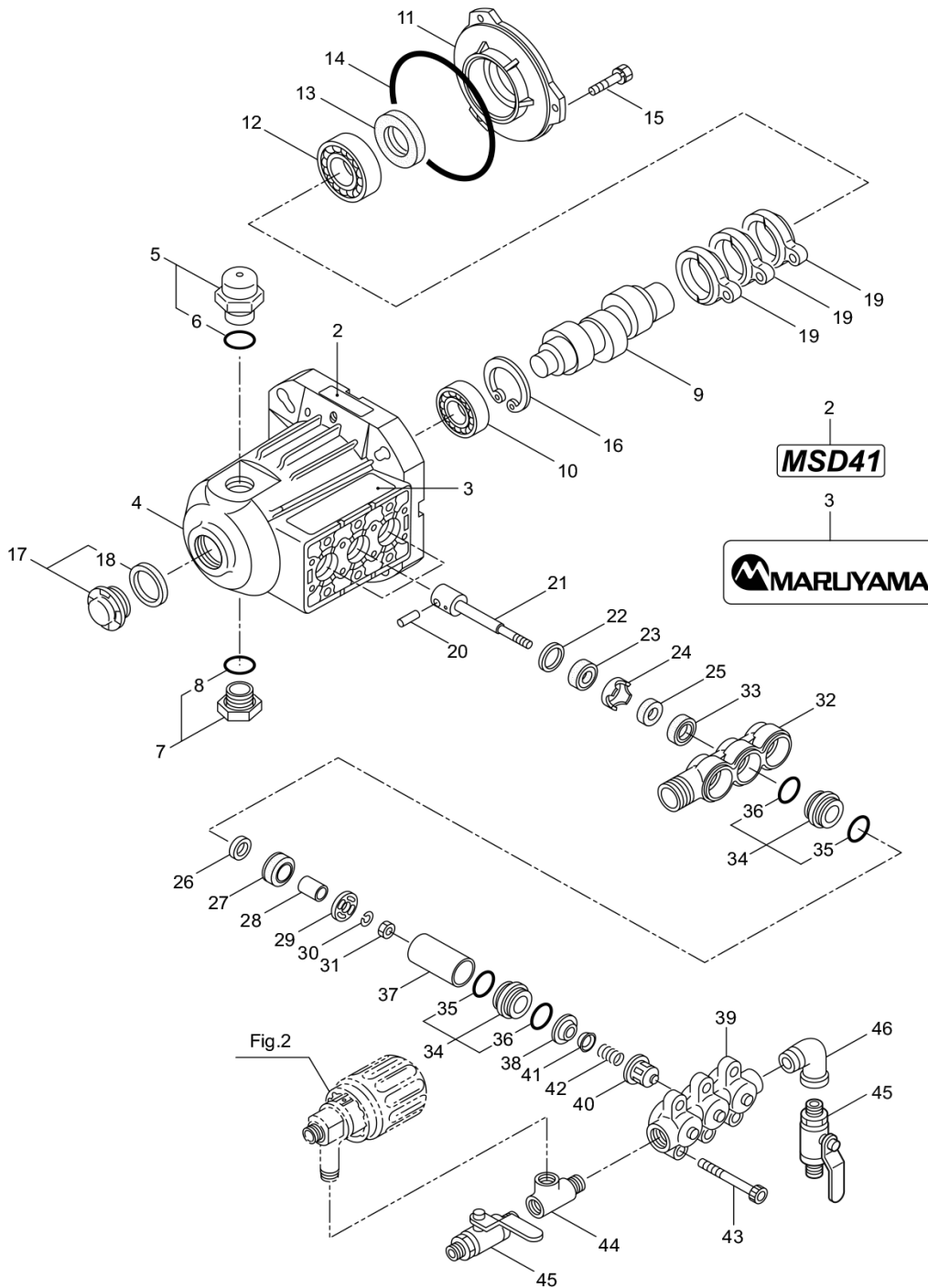
1. PUMP	1 ~ 2
2. RELIEF VALVE	3 ~ 4
3. ACCESSORIES	5 ~ 6

2019. 05.



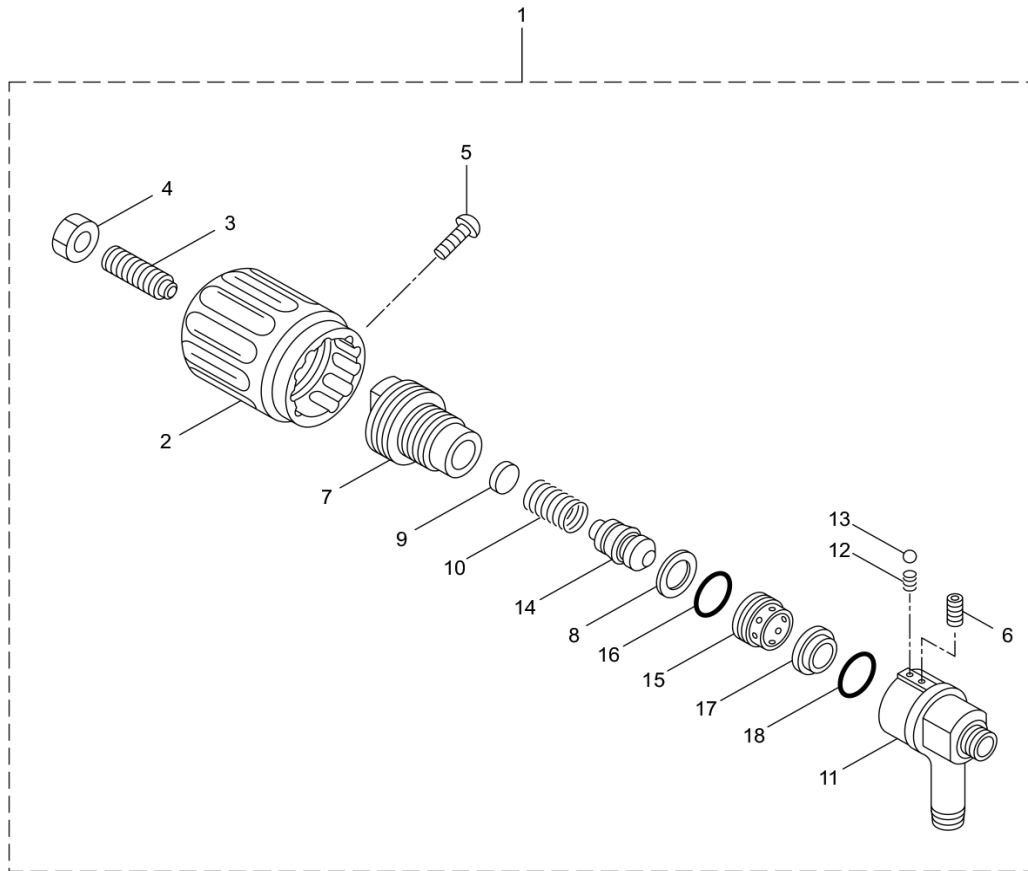
P/N 524836

1. MSD41T 3/4INCH PUMP



Status.	Position	Parts Number	Parts Name	Unit Quantity	Set Unit Quantity	Specification	Remarks	Maker code
	1	366540	MSD41T (EU)	1			3 / 4inch	
	2	566346	LABEL	1		MSD41	MSD41	
	3	566347	LABEL	1		Maru Mari Recoil		
	Four	566224	CRANKCASE	1		N1.0		
	Five	566227	CAP OIL FILLER	1			Incl.6	
	6	566348	O-RING	1	Five	P20 1 Sino A	P20	
	7	811174	PLUG ASSY	1			Incl.8	
	8	566348	O-RING	1	Five	P20 1 Sino A	P20	
	9	660972	CRANK SHAFT	1		S7.0X19.07		
	Ten	566350	BEARING OUTER 6204	1		# 6204	# 6204	
	11 11	566235	CASE BEARING	1				
	12	566351	BEARING INNER 6006	1		# 6006	# 6006	
	13	566352	OIL SEAL	1		D30428	D30428	
	14	566353	O-RING	1		S100	S100	
	15	566354	SCREW BEARING COVER	3	Ten	M6X14	M6x14	
	16 16	566355	RING RETAINING	1		Anou 47	H47	
	17 17	566356	OIL GAUGE	1			Incl.18	
	18 18	566359	PACKING	1	Five	25X34XT2	25x34xt2	
	19 19	566237	ROD CONNECTING	3		2SF38MM		
	20	566360	PIN ROD	3		9X22	9x22	
	twenty one	566361	ROD PISTON	3				
	twenty two	566366	WASHER	3	Five	17X24XT1.2	17x24xt1.2	
	twenty three	566367	OIL SEAL S10 5 24 7	3		S10.5247	S10.5247	
	twenty four	566239	RETAINER SEAL	3	Ten			
	twenty five	566368	WICK	3	Five	10X19X5	10x19x6.5	
	26	566369	MACHINED DISC INLET	3		6.1X20XT2.8	6.1x20xt2.8	
	27	566371	CUP PISTON MACHINED	3		twenty five	twenty five	
	28 28	566373	SPACER PISTON P / R	3		6X8.5X10.5	6x8.5x10.5	
	29	566374	RETAINER PISTON	3				
	30	566375	WASHER LOCK	3	5	M6 2 ¹ / ₄	M6	
	31	566376	NUT NYLON INSERT	3	5	M6	M6	
	32	566377	INLET MANIFOLD	1		G3/4材		
	33	566379	U-PACKING	3				
	34	566381	DISCHARGE ADAPTER ASSY	6			Incl.35,36	
	35	566383	O-RING P21	6	5	P21	P21	
	36	566384	O-RING	6	5	P22	P22	
	37	566385	CYLNDER PIPE	3		25X28.5XL43	25x28.5xL43	
	38	566386	MACHINED TAPERED DISC	3				
	39	566703	MANIFOLD B	1				
	40	566240	RETAINER SPRING	3		MODEL310 ³ / ₇		
	41	566389	MACHINED DISC DISCHARGE	3		16X1.5	16x1.5	
	42	566391	SPRING	3		0.6-15L		
	43	566392	CAP SCREW	6		M8X110X28	M8x110x28	
	44	566411	TEE	1		PT3/8XP3/8	RC3/8xR3/8	
	45	541796	COCK ASSY	2		PT3/8XPF1/4	R3/8xG1/4	
	46	566631	ELBOW	1		R3/8	R3/8	

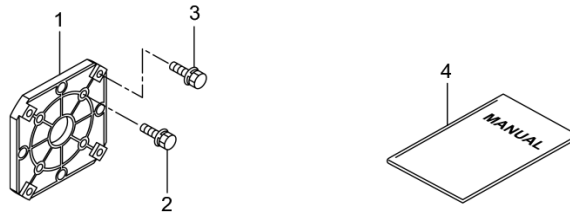
2. MSD41T 3/4INCH
RELIEF VALVE



Status	Position	Parts Number	Parts Name	Unit Quantity	Set Unit Quantity	Specification	Remarks	Maker code
--------	----------	--------------	------------	---------------	-------------------	---------------	---------	------------

Status	Position	Parts Number	Parts Name	Unit Quantity	Set Unit Quantity	Specification	Remarks	Maker code
	1	566679	P.R. VALVE ASSY	1			Incl.2-18	
	2	566242	GRIP	1		MS170㊦		
	3	566394	SCREW	1		M8X35 ㊦ ﾏ ﾏ ﾏ ﾏ ﾏ ﾏ	M8x35	
	4	566395	NUT	1	5	M8 1ｼﾞ	M8	
	5	566396	SCREW	2	10	M3XP0.5X5	M3x5	
	6	566397	SCREW	1	5	M4X6 ﾋﾗ ﾏ ﾏ ﾏ ﾏ ﾏ ﾏ	M4x6	
	7	566398	GUIDE	1				
	8	566399	WASHER	1	5	16X21X0.7T	16x21xt0.6	
	9	566400	RETAINER	1		15XT2.5	15xt2.5	
	10	566401	SPRING	1		3.0-31L		
	11	566402	BODY	1				
	12	566403	SPRING	1		0.6-7L		
	13	566404	BALL	1		5/32	5/32	
	14	566658	PISTON ASSY	1				
	15	566408	SLEEVE	1				
	16 16	566409	O-RING	1	Five	P16	P16	
	17 17	566410	PRV SEAT	1				
	18 18	566409	O-RING	1	Five	P16	P16	

3. MSD41T 3/4INCH ACCESSORIES



Status	Position	Parts Number	Parts Name	Unit Quantity	Set Unit Quantity	Specification	Remarks	Maker code
--------	----------	--------------	------------	---------------	-------------------	---------------	---------	------------

Status	Position	Parts Number	Parts Name	Unit Quantity	Set Unit Quantity	Specification	Remarks	Maker code
	1	566245	FLANGE	1				
	2	566690	BOLT	Four		5 / 16-24 UNFX20SM	5 / 16-24UNFx20	
	3	566415	SCREW	Four		3 / 8-16UNCX35SMK	3 / 8-16UNCx35SMK	
	Four	566433		1		MSD41	MSD41	