

PARTS LIST

BL32-1

CONTENTS

1. MAIN BODY	1 ~ 2
2. ENGINE (Cylinder, Crankcase).....	3 ~ 6
3. ENGINE (Carburetor, Fuel Tank)	7 ~ 10
4. ACCESSORIES	11 ~ 12

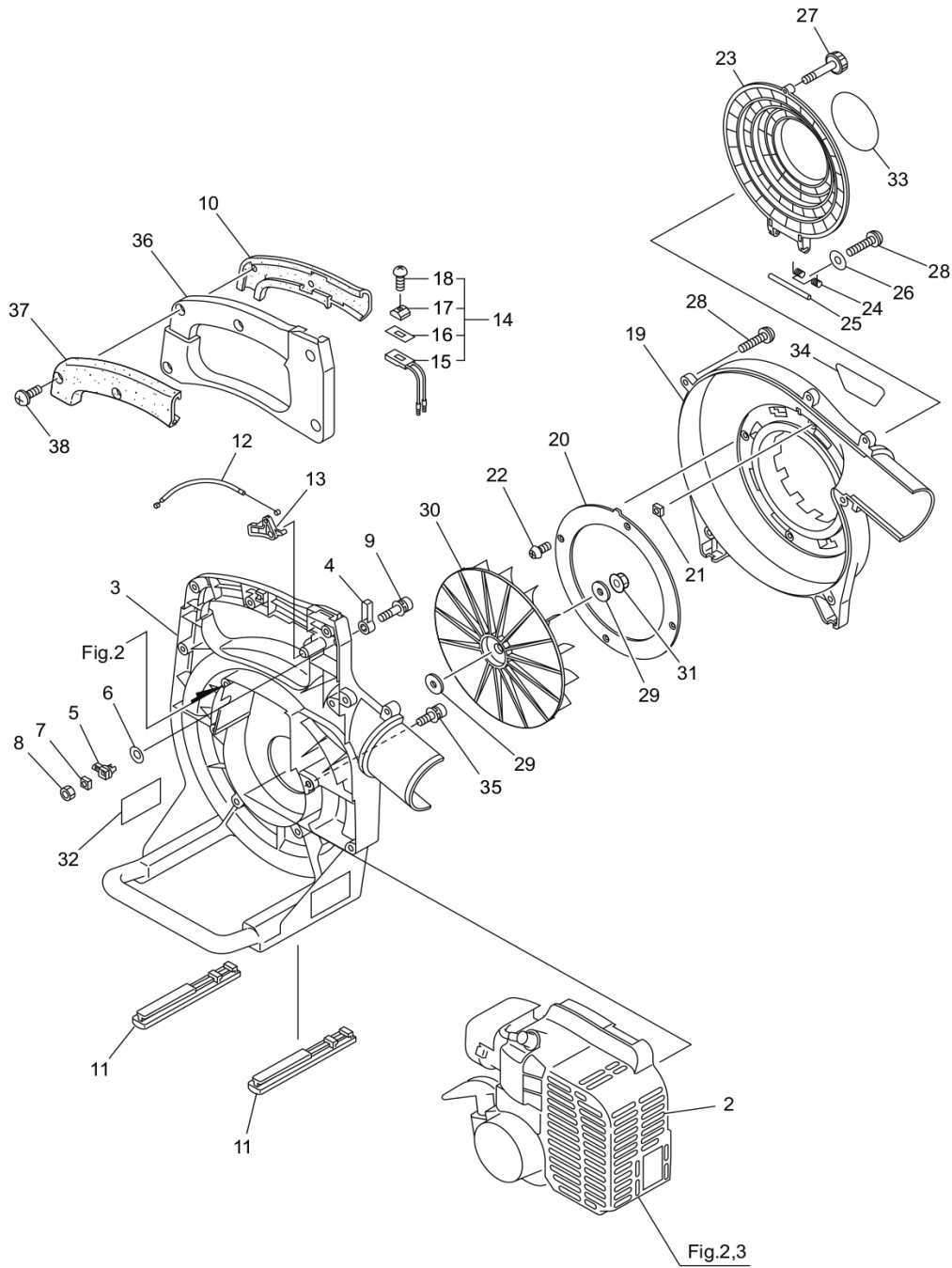
2018. 02.



MARUYAMA

P/N 523531-1

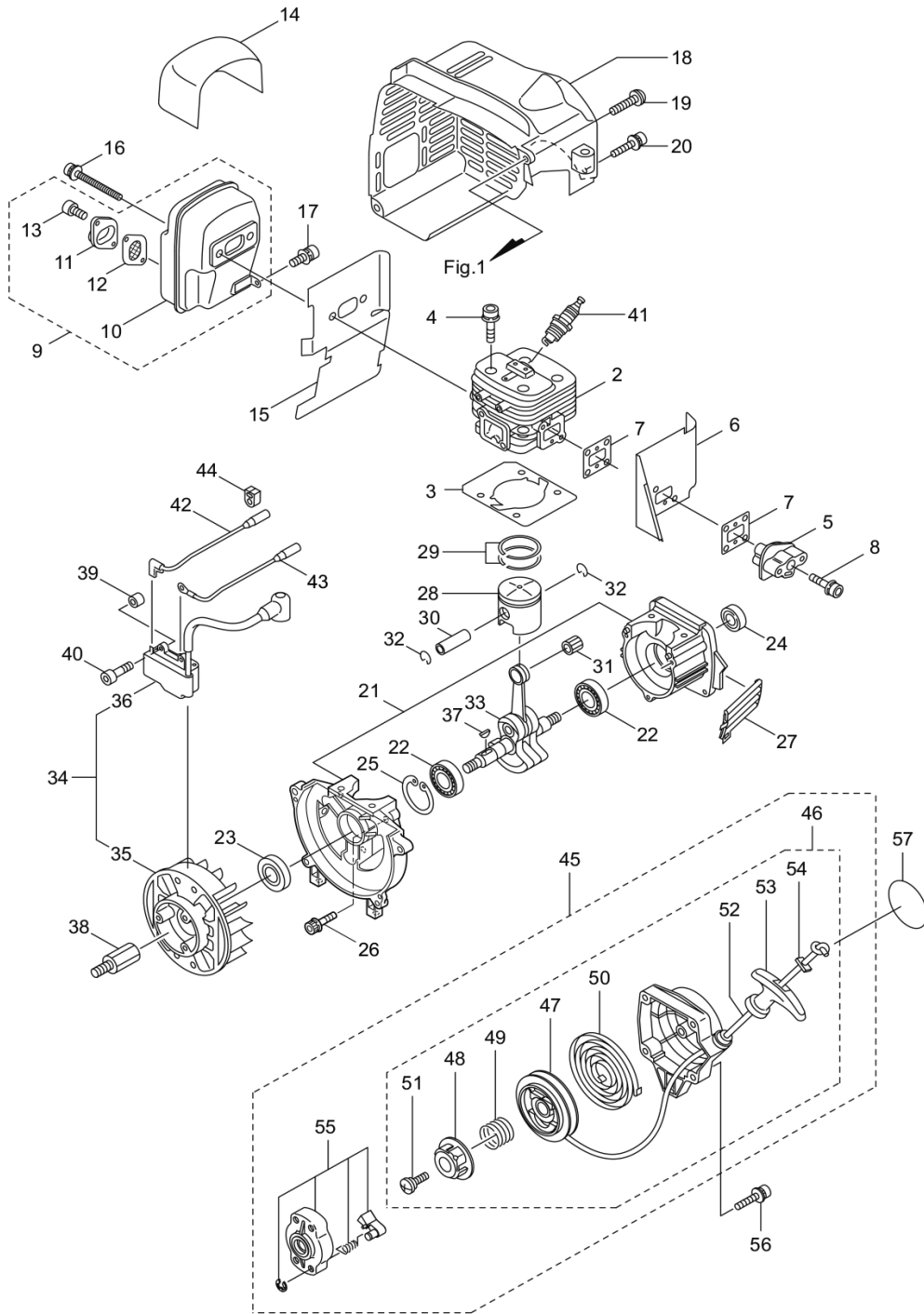
1. BL32-1
MAIN BODY



Status	Position	Parts Number	Parts Name	Unit Quantity	Set Unit Quantity	Specification	Remarks	Maker code
--------	----------	--------------	------------	---------------	-------------------	---------------	---------	------------

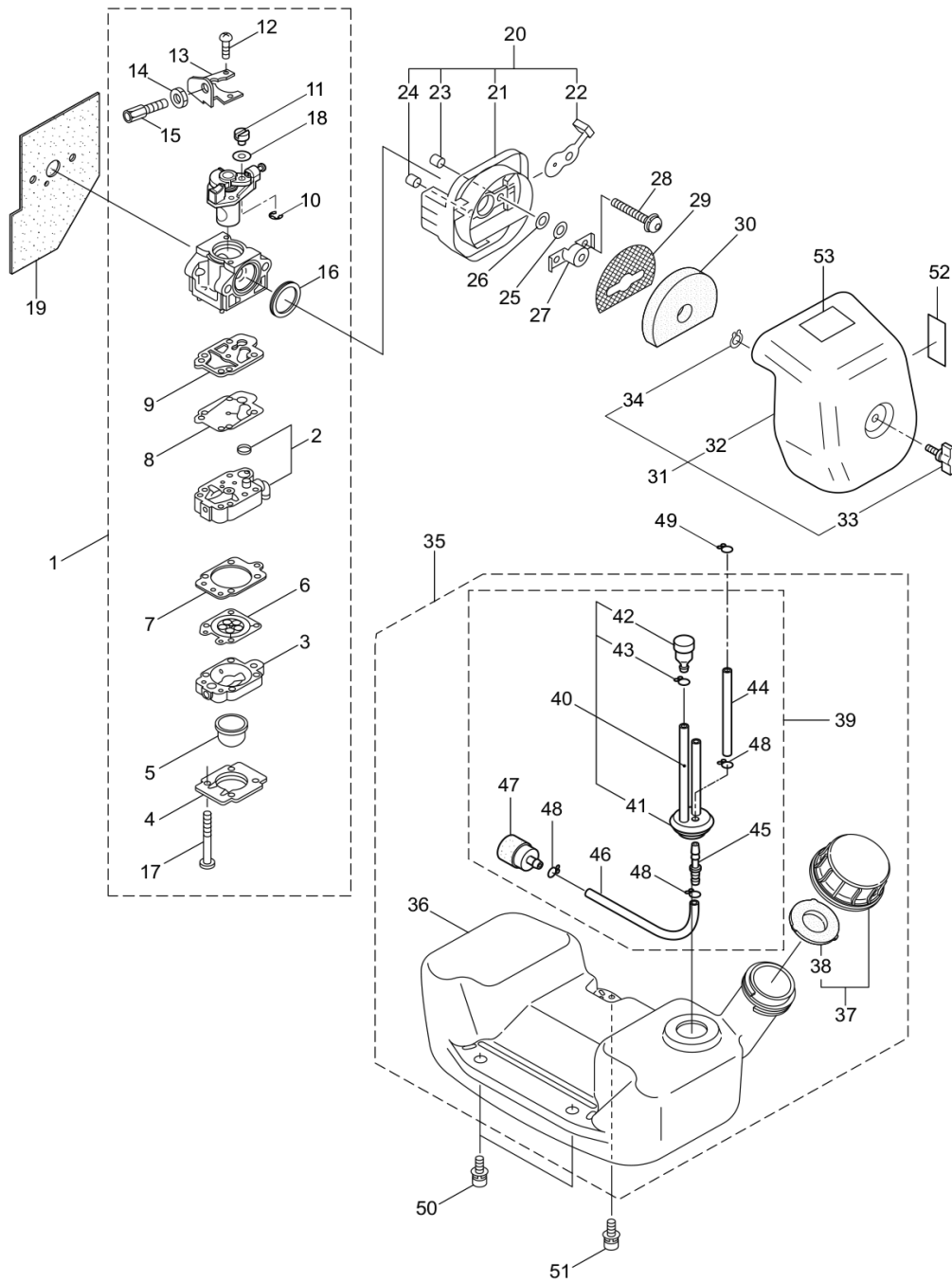
Status	Position	Parts Number	Parts Name	Unit Quantity	Set Unit Quantity	Specification	Remarks	Maker code
	1	395833	BL32-1(MUS)	1				
	2	859168		1			CE300/74	
	3	281535	MAIN HOUSING	1		アカ		
	4	281586	STOPPER A	1		クロ		
	5	281867	STOPPER B	1		クロ		
	6	282862	WASHER	1		サラハネヨビ 11H		
	7	269423	NUT	1	5	シカナツトM5		
	8	126993	NUT	1	5	M5X0.8 2ｼﾞ	M5	
	9	261246	CAP SCREW	1	5	M5X25	M5x25	
	10	281880	GRIP	1				
	11	281865	STAND	2				
	12	281862	THROTTLE CABLE	1		OUT225/IN76		
	13	281585	THROTTLE TRIGGER	1		クロ		
	14	282170	SWITCH	1			Incl.15-18	
	15	281863	SWITCH	1				
	16	282028	LABEL	1				
	17	282171	KNOB	1				
	18	282172	SCREW	1	5			
	19	281536	FAN COVER	1		アカ		
	20	281869	PLATE	1		アカ		
	21	280008	NUT	1	5	シカナツトM4	M4	
	22	282060	SCREW	4		タツビ ン4X10	4x10	
	23	281563	COVER	1		クロ		
	24	281870	SPRING	1				
	25	281878	ROD	1				
	26	263743	WASHER 5.7X15.8XT2	1	10	5.7X15.8XT2ビラ	5.7x15.8xt2	
	27	282149	KNOB	1				
	28	281989	SCREW	7		5X20タツビ ンハ イント	5x20	
	29	281873	WASHER	2		8.5X26XT2.9	8.5x26xt2.9	
	30	281874	FAN	1		クロ		
	31	283041	NUT M8	1	5	M8ワラツジ 13	M8	
	32	282549	LABEL	1		デ シハ ル(ANSI)		
	33	289968		1		BL32-1	BL32-1	
	34	288307	LABEL	1		BL32	BL32	
	35	261250	CAP SCREW	4	5	M5X20	M5x20	
	36	281538	HANDLE	1		アカ		
	37	281879	GRIP	1				
	38	281989	SCREW	5		5X20タツビ ンハ イント	5x20	

2. BL32-1 ENGINE (Cylinder, Crankcase)



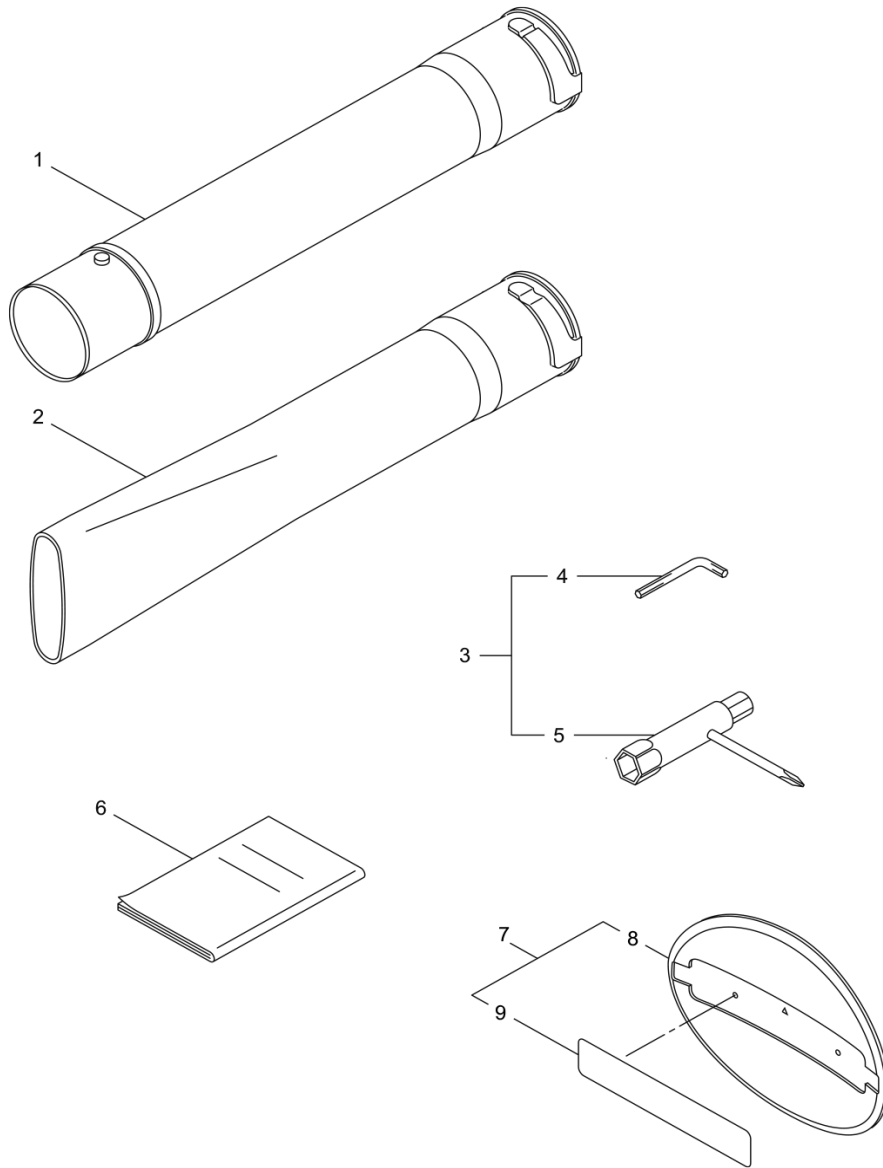
Status	Position	Parts Number	Parts Name	Unit Quantity	Set Unit Quantity	Specification	Remarks	Maker code
	1	859168		1			CE300/74	
	2	286791	CYLINDER	1		TIER3 カセツト		
	3	286846	GASKET	1		30CC/T1.0		
	4	261250	CAP SCREW	4	5	M5X20	M5x20	
	5	282579	INSULATOR	1		BL300		
	6	281590	PLATE	1		アルスター		
	7	261171	GASKET	2	5			
	8	265924	CAP SCREW	2	5	M5X25WSW+オ	M5x25	
	9	282585	MUFFLER	1		シヨクパ イナシ	Incl.10-13	
	10	282586	MUFFLWER COMP	1		シヨクパ イナシ		
	11	281860	TAIL	1				
	12	267056	SPARK ARRESTER	1				
	13	265107	CAP SCREW	2	5	M4X10	M4x10	
	14	268461	HOLDER	1				
	15	281589	MUFFLER GASKET	1				
	16	266713	CAP SCREW	2		M5X607ランジ	M5x60	
	17	261607	CAP SCREW	1	5	M5X16WSW	M5x16	
	18	281537	ENGINE COVER	1		アカ		
	19	281989	SCREW	2		5X20タツビ ンパ イン ト	5x20	
	20	265724	BOLT	2	5	M4X25(W.SW)	M4x25	
	21	286851	CRANK CASE	1		CE300		
	22	280488	BEARING 6001C3	2		6001 C3リベ ット	PPL 6001	
	23	261492	OIL SEAL	1		ISCD12287ガ リス ナシ	ISCD12287	
	24	261386	OIL SEAL	1		ISCD12227ガ リス ナシ	ISCD12227	
	25	055185	SNAP RING #28	1	5	アヲヨウ28	#28	
	26	261612	CAP SCREW	3		M5X30	M5x30	
	27	281442	AIR INTAKE GRILLE BLACK)	1		クロ		
	28	268782	PISTON	1		CE300		
	29	265067	PISTON RING	2			(2)Required	
	30	265068	PISTON PIN	1		7X10X30.5L		
	31	265225	NEEDLE BEARING KTV101413EGX02B	1				
	32	261393	CLIP	2				
	33	265141	CRANK SHAFT COMPLETE	1				
	34	287004	MAGNETO ASSY	1		WB MBJ-47	Incl.35,36	
	35	286889	ROTOR/FAN	1				
	36	282010	IGNITION COIL ASSY	1		WB MBU-15		
	37	261076	WOODRUFF KEY 3X10	1	5	Aシヨ 3X10	3x10	
	38	281872	SHAFT	1				
	39	280381	SPACER	2	5			
	40	261256	BOLT	2	5	M4X25	M4x25	
	41	285982	SPARK PLUG(BPM8Y)	1		NGK BPM8Y	NGK BPM8Y	
	42	281864	LEAD	1		205ハダ HCBH		
	43	282087	LEAD	1		175M4 CBH		
	44	281172	GROMMET	1		クワ(N1.5)		
	45	283039	RECOIL STARTER ASSY	1		A10008172100	Incl.46-55	
	46	283502	STARTER ASSY	1		BL300	Incl.47-54	
	47	283504	REEL	1		A54108170001		
	48	283505	CAM PLATE	1		A54308130201		
	49	283506	DUMPER SPRING	1		A52408170300		
	50	283507	SPIRAL SPRING	1		A60002600100		
	51	267213	SCREW	1				
	52	283509	STARTER ROPE	1		A57100930070		
	53	283510	STARTER KNOB	1		A57207300000		
	54	283511	ROPE STOPPER	1		A57302611810		
	55	280934	STARTER PULLEY ASSY	1				
	56	265724	BOLT	2	5	M4X25(W.SW)	M4x25	
	57	288303	LABEL	1		48 CER300BL	BL32	

3. BL32-1 ENGINE (Carburetor, Fuel Tank)



Status	Position	Parts Number	Parts Name	Unit Quantity	Set Unit Quantity	Specification	Remarks	Maker code
	1	282528	CARBURETOR	1		WYK-242A	Incl.2-18 New gasket required	
	2	264155	CARBURETOR BODY	1		WB5-2582		
	3	262991	PURGE BODY	1		WB5-2557		
	4	262992	COVER	1		WB21-3147		
	5	261874	PRIMER	1		WB188-12		
	6	283905	DIAPHRAGM METERRING	1		WB95-614		
	7	262993	GASKET	1		WB92-359		
	8	262994	DIAPHRAGM	1		WB95-99		
	9	282576	GASKET	1		WB92-415		
	10	261876	RING	1		WB16-71		
	11	261658	SWIVEL	1		WB52-34		
	12	261875	SCREW	2		WB96-323		
	13	264677	BRACKET	1		WB167-143		
	14	261878	NUT	1	5	M6 3/4		
	15	261877	SCREW	1		WB96-412		
	16	261657	PACKING	1		WB16-171		
	17	262996	SCREW	4	5	WB96-425		
	18	264678	WASHER	1	5	WB136-221		
	19	282578	GASKET	1				
	20	268055	AIR FILTER HOUSING ASSY	1			Incl.21-24	
	21	268056	AIR FILTER CASE	1		チヨ-クタイ		
	22	268057	MACHINED DISC	1				
	23	268412	SLEEVE	1		5.2X7.1X6.4	5.5x7.1x6.6L	
	24	268157	SLEEVE	1		5.5X7.1X6	5.5x7.1x6L	
	25	263345	PACKING	1	5	7.2X11XT1.3	7.2x11xt1.3	
	26	263942	WASHER	1	5	7.2X12XT0.15	7.2x12xt0.15	
	27	263815	STAY	1				
	28	264016	CAP SCREW	2	5	M5X60	M5x60	
	29	265026	SCREEN	1				
	30	281861	CLEANER ELEMENT	1				
	31	268058	AIR FILTER COVER ASSY	1			Incl.32-34	
	32	268059	AIR FILTER COVER	1				
	33	281438	KNOB	1				
	34	261734	SNAP RING	1	5	3/8 5	#5	
	35	289038	FUEL TANK ASSY	1		A46B95C154D52	Incl.36-48	
	36	283891	FUEL TANK	1		フ 口ワ- タノ		
	37	289043	FUEL TANK CAP ASSY	1			Incl.38	
	38	287058	PACKING	1				
	39	279550	FUEL PIPE ASSY	1			Incl.40-48	
	40	289036	FUEL PIPE ASSY	1			Incl.41-43	
	41	268065	GROMMET	1		37+		
	42	261590	BREATHER SUB ASSY	1				
	43	261117	CLIP	1				
	44	289028	PIPE A	1		3X5X53L	3x5x53L	
	45	288921	JOINT	1				
	46	289033	PIPE	1		3X5X100L	3x5x100L	
	47	286749	FILTER ASSY	1		WB125-527		
	48	261117	CLIP	3				
	49	261117	CLIP	1				
	50	268940	SCREW	2		M5X18WSW-12	M5x18	
	51	281715	SCREW	1		M5X20WSW-12+オ	M5x20	
	52	261352	MARK--LABEL	1		チヨ-ク	Choke	
	53	285188	LABEL	1		CAスバ -クアレスタイ コク		

4. BL32-1
ACCESSORIES



Status	Position	Parts Number	Parts Name	Unit Quantity	Set Unit Quantity	Specification	Remarks	Maker code
--------	----------	--------------	------------	---------------	-------------------	---------------	---------	------------

Status	Position	Parts Number	Parts Name	Unit Quantity	Set Unit Quantity	Specification	Remarks	Maker code
×	1	281875	PIPE A	1		クワ(MARUYAMA)		
×	2	281876	PIPE B	1		クワ		
	3	282738	TOOL SETS	1		7' 口7ヨウ	Incl.4,5	
	4	219431	SPANNER	1		ニメソノハハ 3	3mm	
	5	210418	BOX SPANNER	1		13X19X(+)' ト' ライハ'	13x19x(+)	
	6	289743	OWNER'S MANUAL	1		BL32-1	BL32-1	
	7	289744	INTAKE HOOD	1		BL32-1	Incl.8,9	
	8	127279	INTAKE HOOD	1		クワ		
	9	289745		1		MARUYAMA	MARUYAMA	