

PARTS LIST

MS333

CONTENTS

1. CRANKCASE, SUCTION VALVE	1
2. PRESSURE REGULATOR VALVE.....	5
3. ACCESSORIES	7

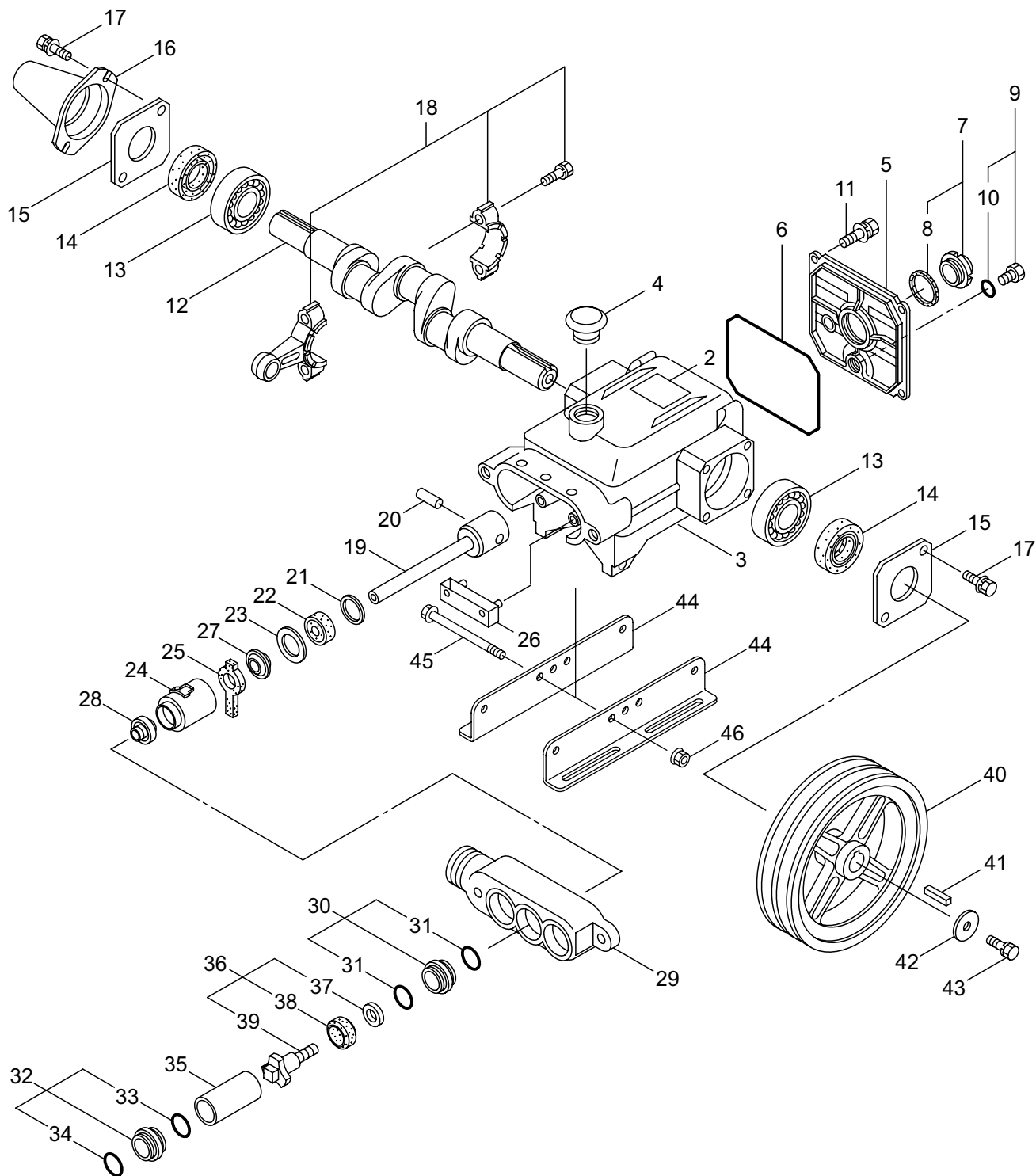
2023. 02.



P/N 525546

MS333

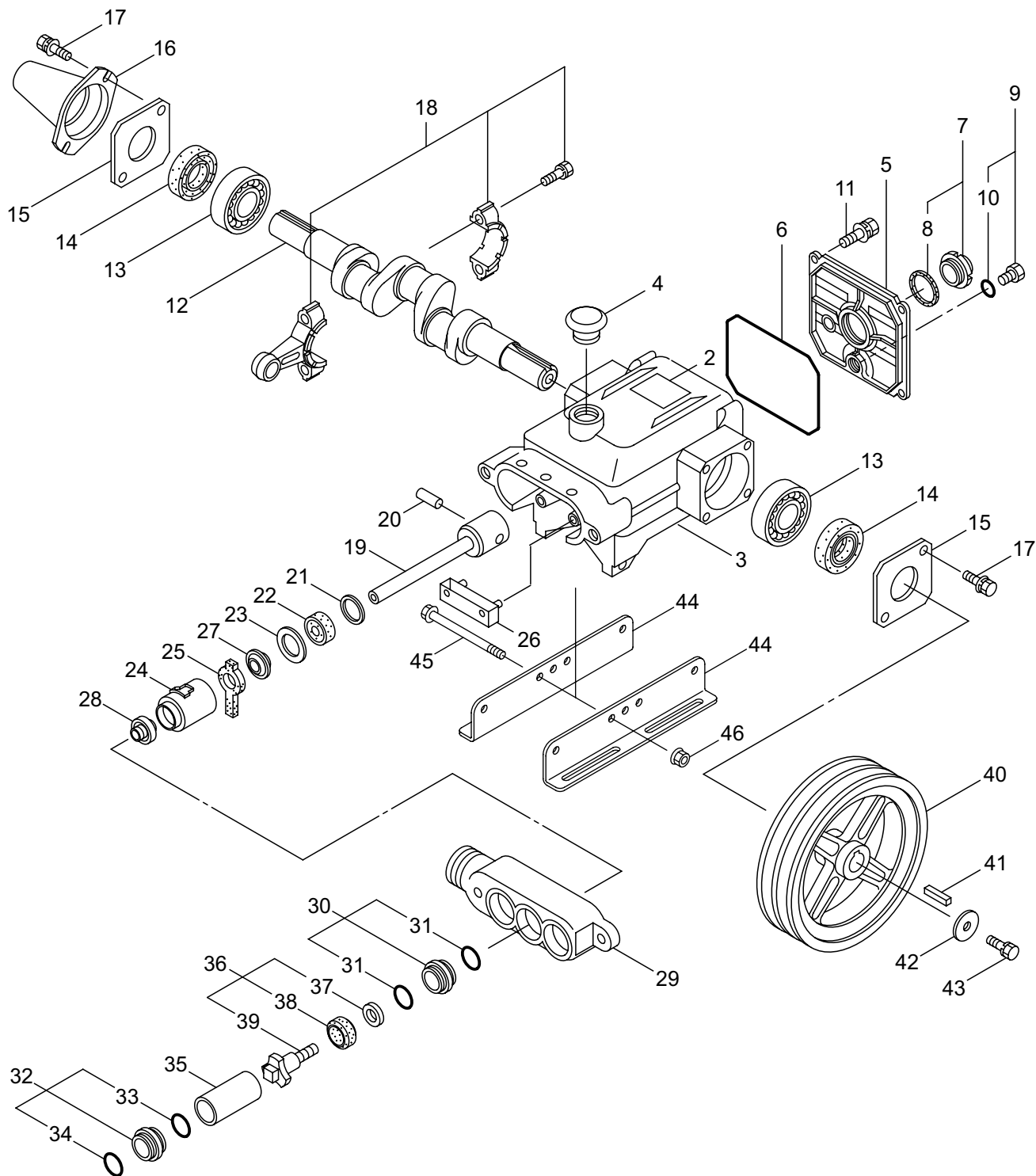
1. CRANKCASE, SUCTION VALVE



Ref. No.	Part No.	Part Name	Q'ty	Remarks
1-1	366572	MS333	1	MS333
1-2	664510	Label	1	
1-3	664497	Crankcase	1	
1-4	117420	Oil Filler Cap	1	
1-5	664503	Rear Cover, Crankcase	1	
1-6	014041	O-Ring	1	S100
1-7	092241	Oil Gauge Ass'y	1	Incl.8
1-8	044428	Packing	1	25x34xt2
1-9	091376	Drain Plug	1	Incl.10, G1/4
1-10	023170	O-Ring	1	P12.5
1-11	125824	Bolt	4	M6x16
1-12	103921	Crankshaft	1	
1-13	014487	Bearing	2	#6304
1-14	117423	Oil Seal	2	TC20528
1-15	117424	Plate	2	
1-16	025130	Shaft Protector	1	
1-17	125824	Bolt	4	M6x16
1-18	048734	Connecting Rod Ass'y	3	
1-19	131358	Piston Rod	3	
1-20	016948	Piston Pin	3	9x22L
1-21	126259	Washer	3	17x24xT1.2
1-22	025461	Oil Seal	3	S10.5247
1-23	126189	Washer	3	20x28xT1.2
1-24	027710	Seal Retainer	3	
1-25	130515	Felt Packing	3	
1-26	027712	Oil Pan	1	
1-27	026853	Packing	3	
1-28	100015	Seal	3	
1-29	122895	Inlet Manifold	1	
1-30	091109	Adapter Ass'y	3	Incl.31
1-31	015862	O-Ring	6	P21
1-32	091108	Adapter Ass'y	3	Incl.33,34
1-33	015862	O-Ring	3	P21
1-34	023172	O-Ring	3	P22
1-35	108065	Cylinder Pipe	3	25x28.6x55L
1-36	620661	Inlet Valve Ass'y	3	Incl.37-39
1-37	014122	Inlet Valva Seat	3	6.1x20xt2.8
1-38	116121	Piston Packing	3	
1-39	118628	Piston Retainer	3	
1-40	100837	V-Pulley	1	152-Ax2
1-41	014543	Key	1	5x5x25L
1-42	126198	Washer	1	8.5x30xT3.2
1-43	126258	Bolt	1	M8x20
1-44	117633	Rail	2	
1-45	126200	Bolt	2	M8x115x30

MS333

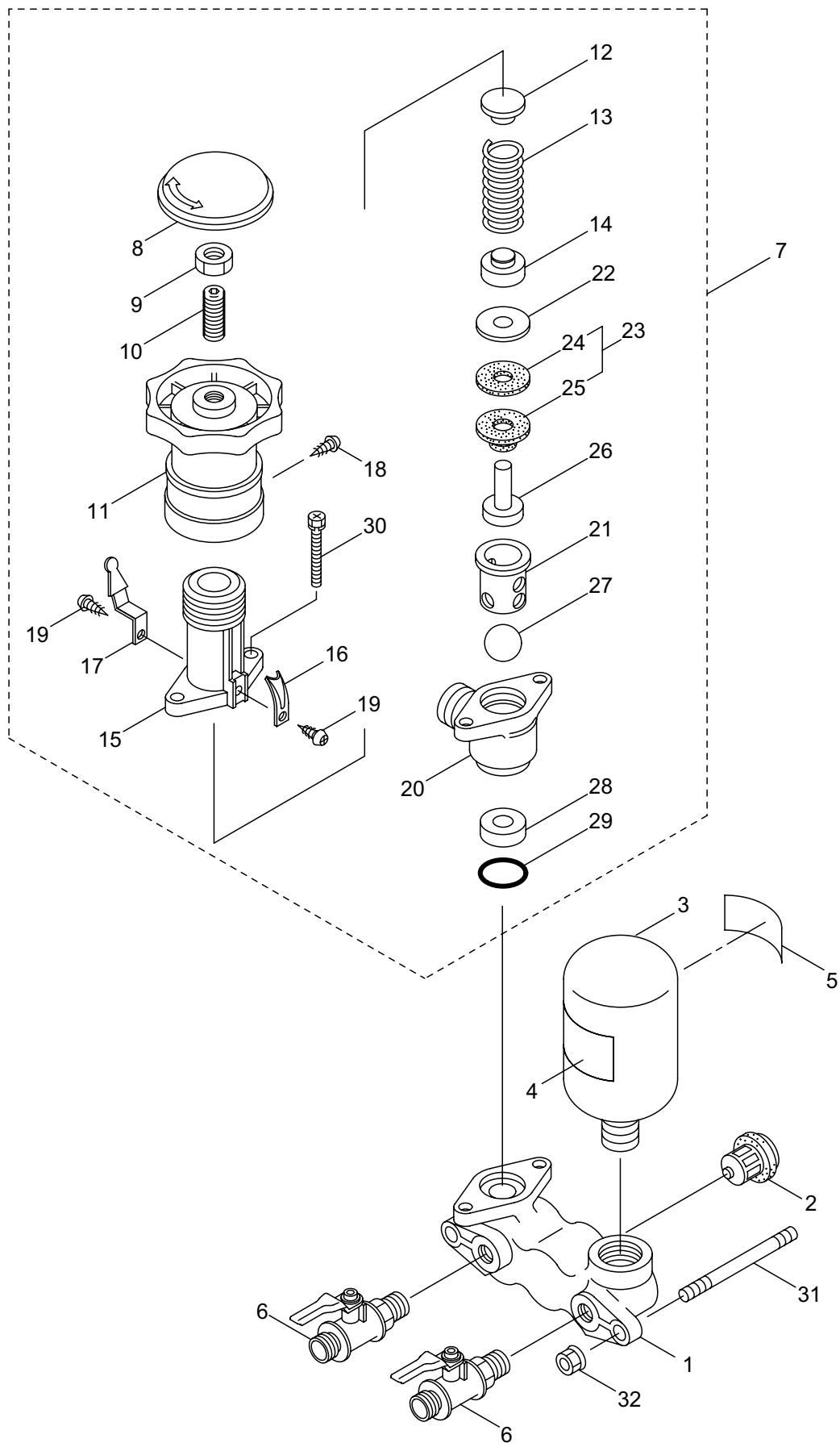
1. CRANKCASE, SUCTION VALVE



Ref. No.	Part No.	Part Name	Q'ty	Remarks
1-46	126201	Nut	2	M8

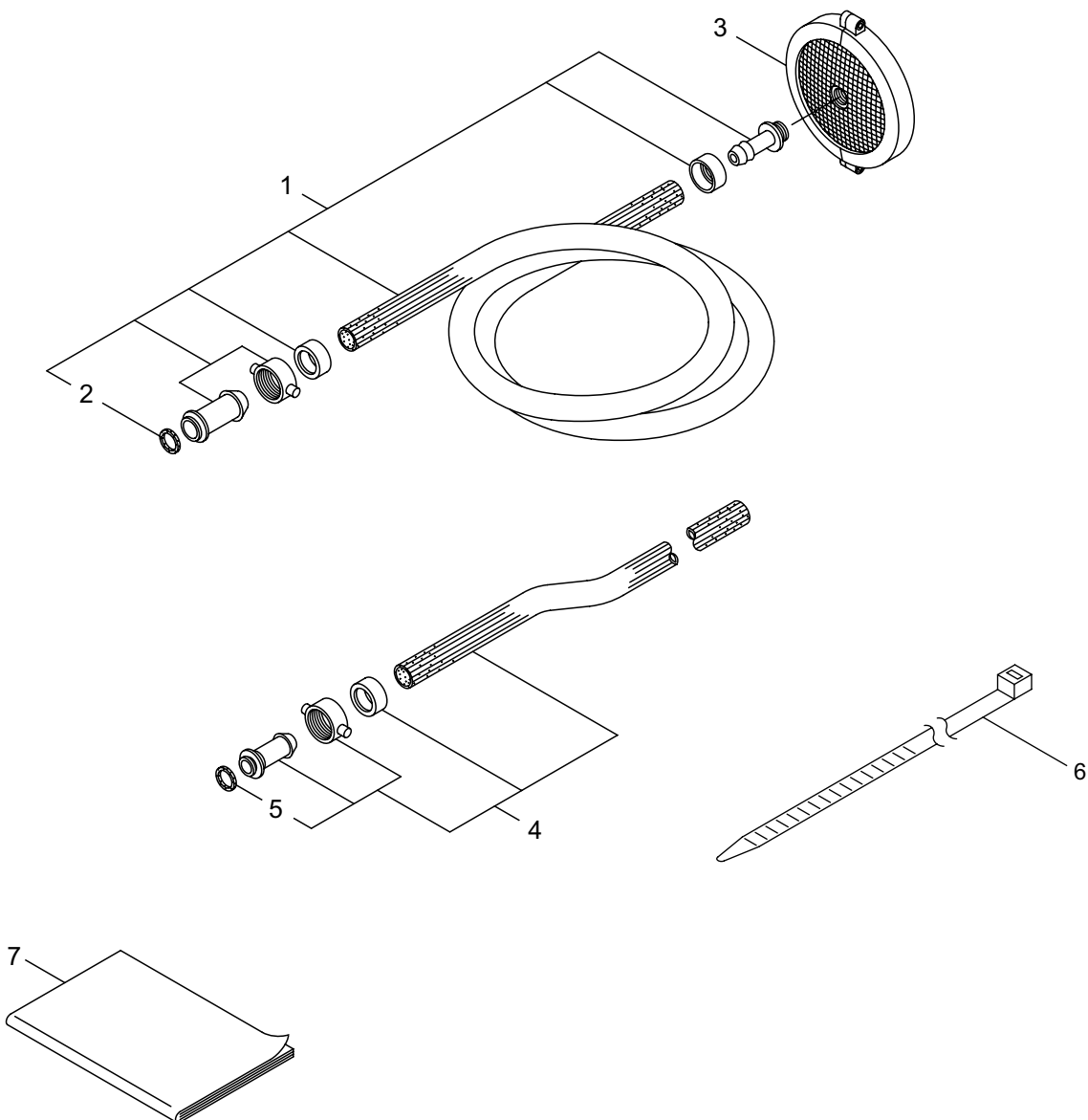
MS333

2. PRESSURE REGULATOR VALVE



Ref. No.	Part No.	Part Name	Q'ty	Remarks
2-1	118409	Discharge Manifold	1	
2-2	120276	Discharge Valve Ass'y	3	
2-3	117813	Air Chamber	1	
2-4	664791	Label	1	Caution
2-5	123043	Label	1	
2-6	117609	Cock Ass'y	2	G1/4xR1/4
2-7	131311	Pressure Regulator Valve Ass'y	1	Incl.8-30
2-8	130910	Cap	1	
2-9	126195	Nut	1	M10
2-10	088975	Screw	1	M10x49
2-11	130911	Grip	1	
2-12	126196	Retainer	1	17x2.3
2-13	105520	Spring	1	
2-14	105521	Retainer	1	
2-15	117448	Case	1	
2-16	117440	Plate	1	
2-17	105524	Indicator	1	
2-18	089882	Screw	2	M4x14L
2-19	127284	Tapping Screw	2	M4x6
2-20	118237	Body	1	
2-21	012256	Retainer	1	
2-22	012255	Washer	1	6.2x22xt0.6
2-23	595606	Bellows Packing Set	1	Incl.24,25
2-24	016972	Bellows Packing	1	5x22xt1.5
2-25	011451	Bellows	1	
2-26	016975	Valve Rod	1	
2-27	107238	Valve Ball	1	12.7(1/2)
2-28	126246	Valve Seat	1	
2-29	014179	O-Ring	1	P20
2-30	126197	Bolt	2	M6x55
2-31	130917	Stud	2	M8x150x11x18
2-32	126201	Nut	2	M8

MS333
3. ACCESSORIES



Ref. No.	Part No.	Part Name	Q'ty	Remarks
3-1	105936	Suction Hose Ass'y	1	Incl.2 19x1Bx3000L
3-2	103686	Packing	1	18.5x24xt2
3-3	122017	Suction Strainer Ass'y	1	
3-4	104344	Spill Hose Ass'y	1	Incl.5 13x19x3000L
3-5	103685	Packing	1	12x18.5xt1.5
3-6	107107	Band	1	
3-7	566955	Instruction Manual	1	MS333