

PARTS LIST

MS415ECH

CONTENTS

| | |
|---|---------|
| 1. MAIN BODY | 1 ~ 2 |
| 2. POWER SPRAYER (CRANKCASE, SUCTION VALVE) ... | 3 ~ 6 |
| 3. POWER SPRAYER (PRESSURE REGULATOR VALVE) ... | 7 ~ 10 |
| 4. ACCESSORIES | 11 ~ 12 |

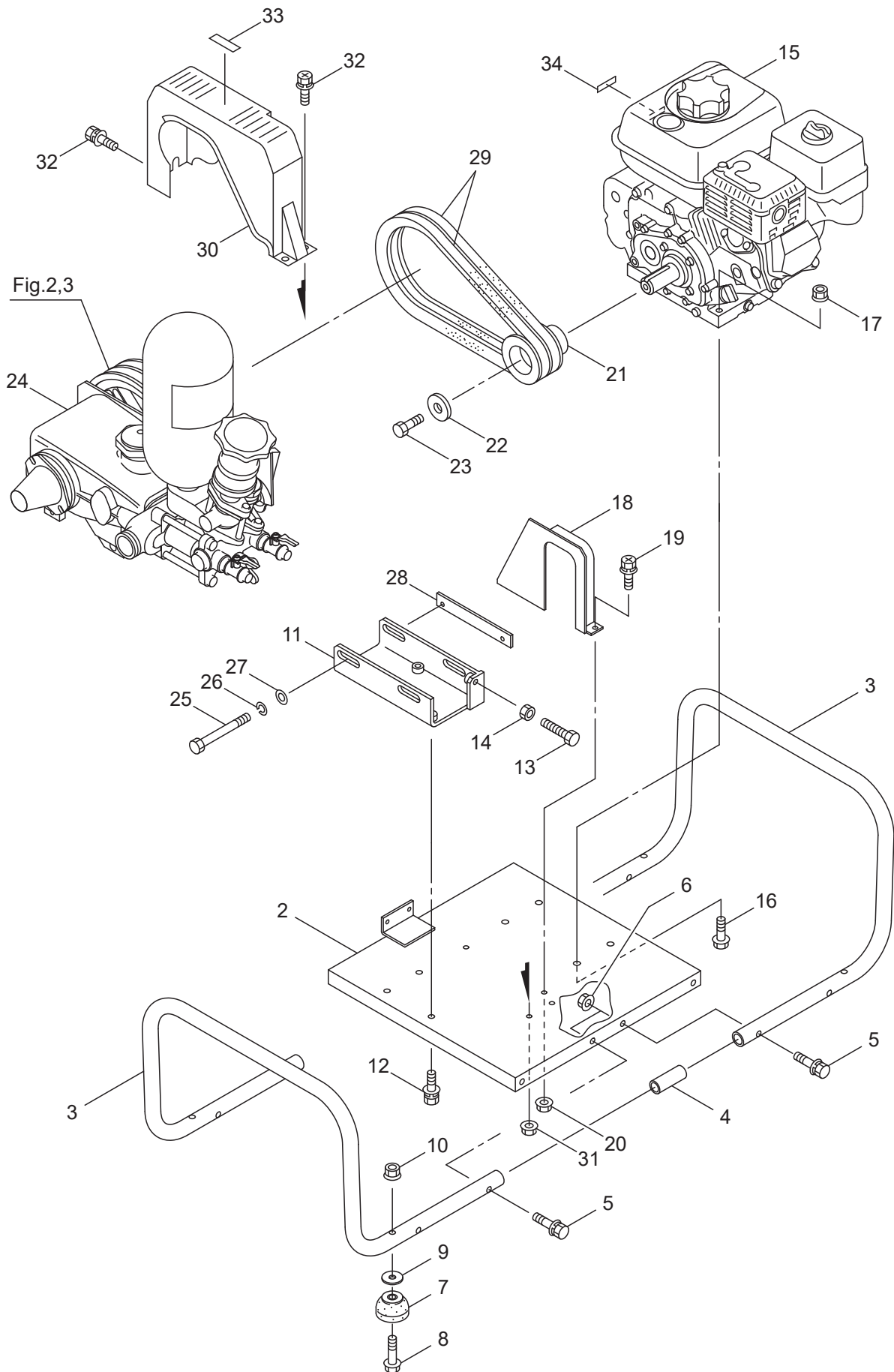
2021.05



MARUYAMA

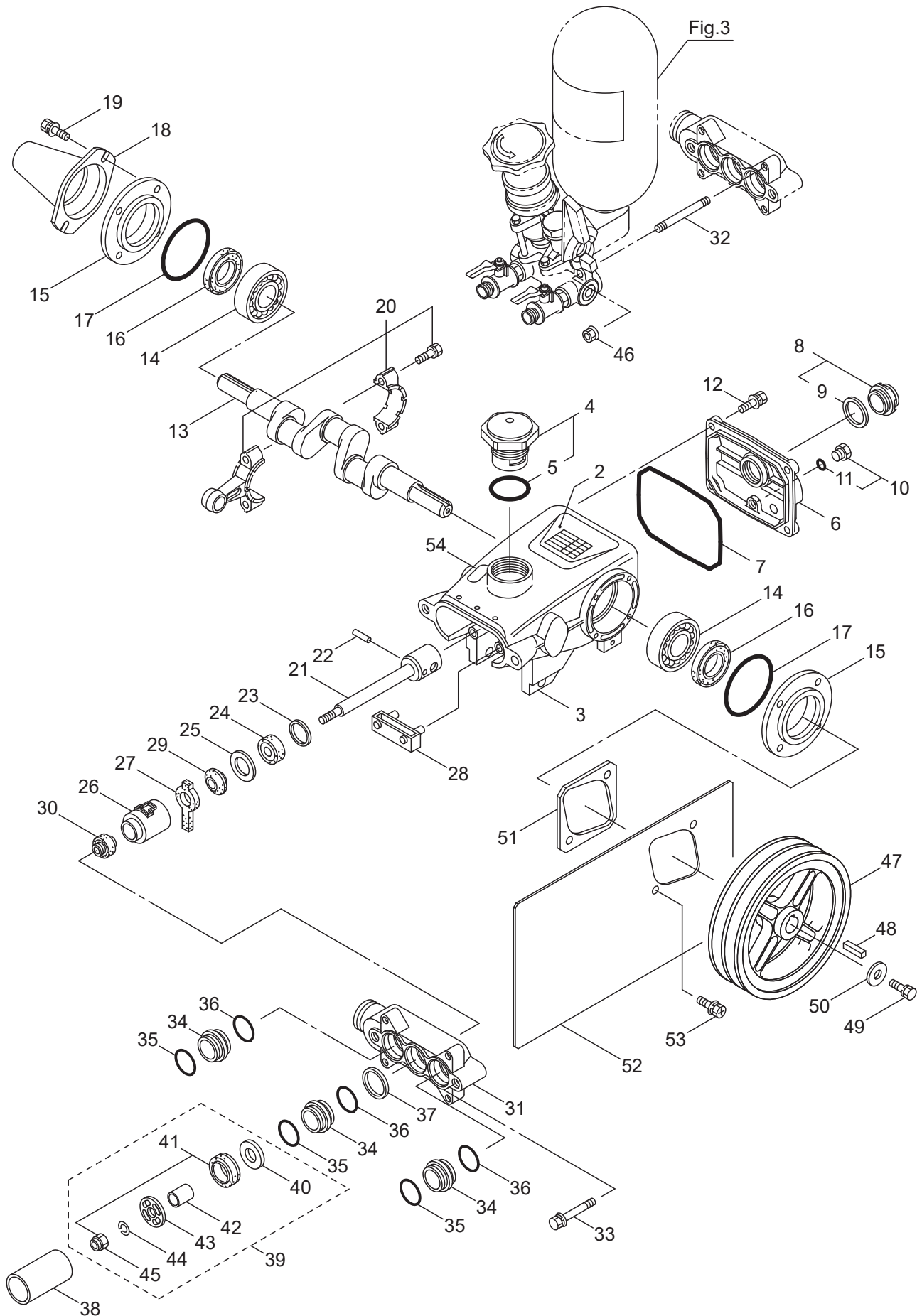
P/N. 525183

1. MS415ECH MAIN BODY



| Ref.No. | Parts No. | Parts Name | Q'ty | Remarks |
|---------|-----------|---------------|------|--------------|
| 1-1 | 358584 | MS415ECH | 1 | |
| 1-2 | 835052 | Base | 1 | |
| 1-3 | 835054 | Handle | 2 | |
| 1-4 | 549756 | Pipe | 2 | |
| 1-5 | 092517 | Bolt | 8 | M8X40 |
| 1-6 | 126201 | Nut | 8 | M8 |
| 1-7 | 543921 | Buffer | 4 | |
| 1-8 | 092581 | Bolt | 4 | M8X50 |
| 1-9 | 019059 | Washer | 4 | 8.5X25XT2.6 |
| 1-10 | 126201 | Nut | 4 | M8 |
| 1-11 | 545640 | Rail | 1 | |
| 1-12 | 126763 | Bolt | 3 | M8X20 |
| 1-13 | 080178 | Bolt | 1 | M8X60 |
| 1-14 | 126521 | Nut | 1 | M8 |
| 1-15 | 835055 | Engine | 1 | GX160UT2 LX2 |
| 1-16 | 549532 | Bolt | 4 | M8X35 |
| 1-17 | 126201 | Nut | 4 | M8 |
| 1-18 | 835074 | Stay | 1 | |
| 1-19 | 092501 | Bolt | 2 | M6X16 |
| 1-20 | 126756 | Nut | 2 | M6 |
| 1-21 | 540379 | V-pulley | 1 | 89XA2 |
| 1-22 | 090116 | Washer | 1 | 8.5X34XT3.2 |
| 1-23 | 126258 | Bolt | 1 | M8X20 |
| 1-24 | 818484 | MS415(EA) | 1 | |
| 1-25 | 126200 | Bolt | 2 | M8X115X30 |
| 1-26 | 126232 | Spring Washer | 2 | M8 |
| 1-27 | 127216 | Washer | 2 | M8 |
| 1-28 | 549784 | Plate Nut | 1 | M8 |
| 1-29 | 106384 | V-Belt | 2 | |
| 1-30 | 111218 | Belt Cover | 1 | |
| 1-31 | 126756 | Nut | 2 | M6 |
| 1-32 | 092501 | Bolt | 4 | M6X16 |
| 1-33 | 542232 | Label | 1 | MARUYAMA |
| 1-34 | 660222 | Label | 1 | |
| | | | | |
| | | | | |

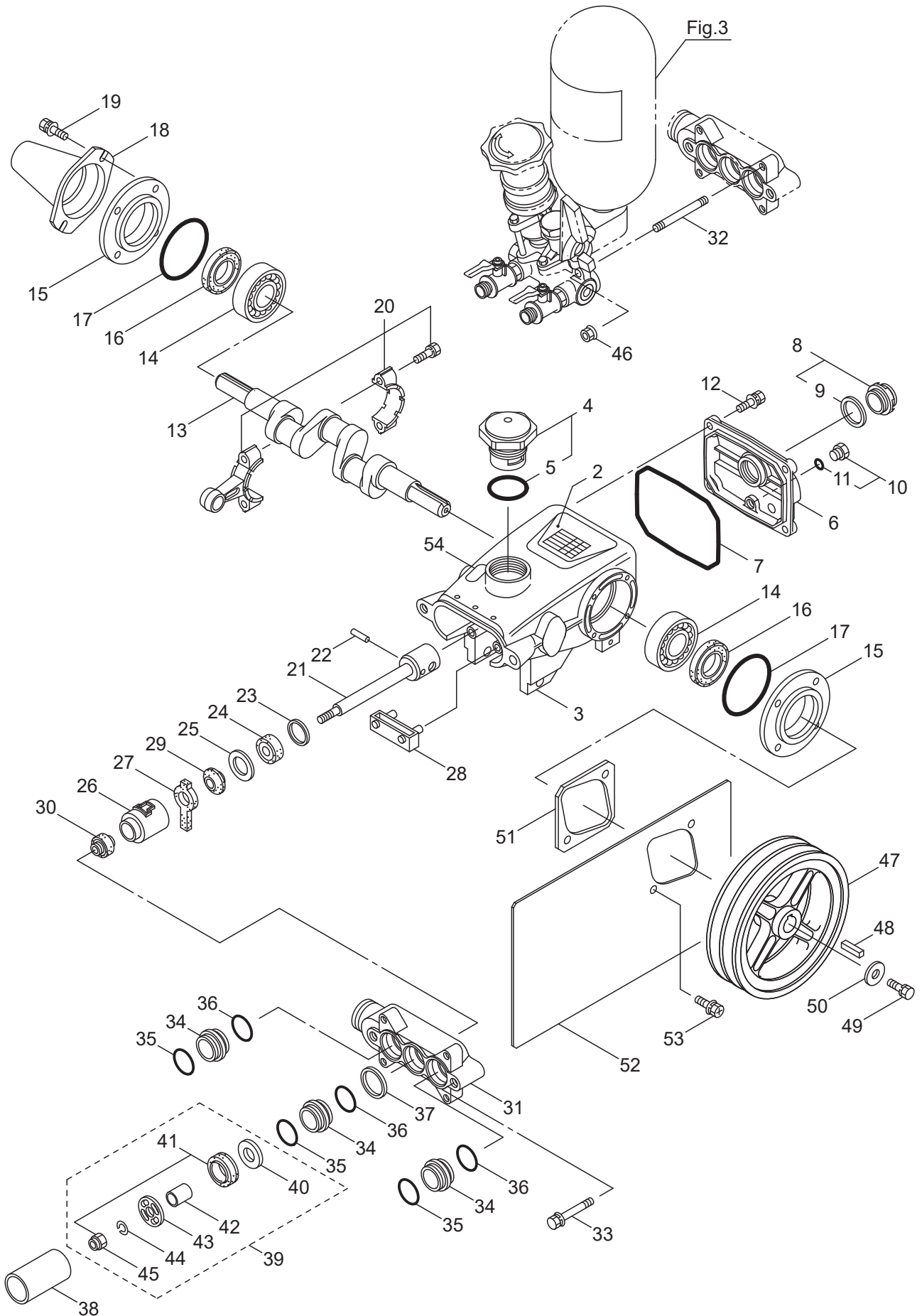
2. MS415ECH POWER SPRAYER (CRANKCASE, SUCTION VALVE)



525183-02

| Ref.No. | Parts No. | Parts Name | Q'ty | Remarks |
|---------|-----------|----------------------|------|---------------|
| 2-1 | 818484 | MS415(EA) | 1 | |
| 2-2 | 130462 | Label | 1 | MS415 |
| 2-3 | 130440 | Crankcase Ass'y | 1 | |
| 2-4 | 091264 | Oil Filler Cap | 1 | Incl.5 W35.85 |
| 2-5 | 014177 | O-Ring | 1 | P35 |
| 2-6 | 130444 | Rear Cover,Crankcase | 1 | |
| 2-7 | 048773 | O-Ring | 1 | 119X96X2.0 |
| 2-8 | 092241 | Oil Gauge Ass'y | 1 | Incl.9 |
| 2-9 | 044428 | Packing | 1 | 25X34XT2 |
| 2-10 | 091376 | Plug Ass'y | 1 | Incl.11 G1/4 |
| 2-11 | 023170 | O-Ring | 1 | P12.5 |
| 2-12 | 125824 | Bolt | 4 | M6X16 |
| 2-13 | 103921 | Crankshaft | 1 | |
| 2-14 | 014487 | Bearing | 2 | #6304 |
| 2-15 | 130446 | Oil Seal Case | 2 | |
| 2-16 | 024159 | Oil Seal | 2 | |
| 2-17 | 026536 | O-Ring | 2 | 51.8X1.5 |
| 2-18 | 025130 | Shaft Protector | 1 | |
| 2-19 | 125824 | Bolt | 8 | M6X16 |
| 2-20 | 048734 | Connecting Rod Ass'y | 3 | |
| 2-21 | 120827 | Piston Rod Ass'y | 3 | |
| 2-22 | 016948 | Piston Pin | 3 | 9X22 |
| 2-23 | 126259 | Washer | 3 | 17X24XT1.2 |
| 2-24 | 025461 | Oil Seal | 3 | S10.5247 |
| 2-25 | 126189 | Washer | 3 | 20X28XT1.2 |
| 2-26 | 027710 | Seal Retainer | 3 | |
| 2-27 | 130515 | Felt Packing | 3 | 10.5X24X5 |
| 2-28 | 027712 | Oil Pan | 1 | |
| 2-29 | 026853 | Packing | 3 | |
| 2-30 | 100015 | Seal | 3 | |
| 2-31 | 105507 | Inlet Manifold | 1 | |
| 2-32 | 130492 | Stud Bolt | 4 | M8X110X11X18 |
| 2-33 | 128352 | Bolt | 2 | M8X45 |
| 2-34 | 130534 | Adapter | 3 | |
| 2-35 | 015862 | O-Ring | 3 | P21 |
| 2-36 | 023172 | O-Ring | 3 | P22 |
| 2-37 | 105508 | Adapter Packing | 1 | 26X28.5XT0.5 |
| 2-38 | 108065 | Cylinder Pipe | 3 | 25X28.5X55 |
| 2-39 | 632583 | Inlet Valve Ass'y | 3 | Incl.40-45 |
| 2-40 | 014122 | Inlet Valva Seat | 3 | 6.1X20XT2.8 |
| 2-41 | 632586 | Piston Packing Set | 3 | Incl.45 |
| 2-42 | 027499 | Spacer | 3 | 6X8.5X11 |
| 2-43 | 119917 | Piston Retainer | 3 | |
| 2-44 | 015849 | Spring Washer | 3 | M6 |
| 2-45 | 046365 | Nut | 3 | M6 |

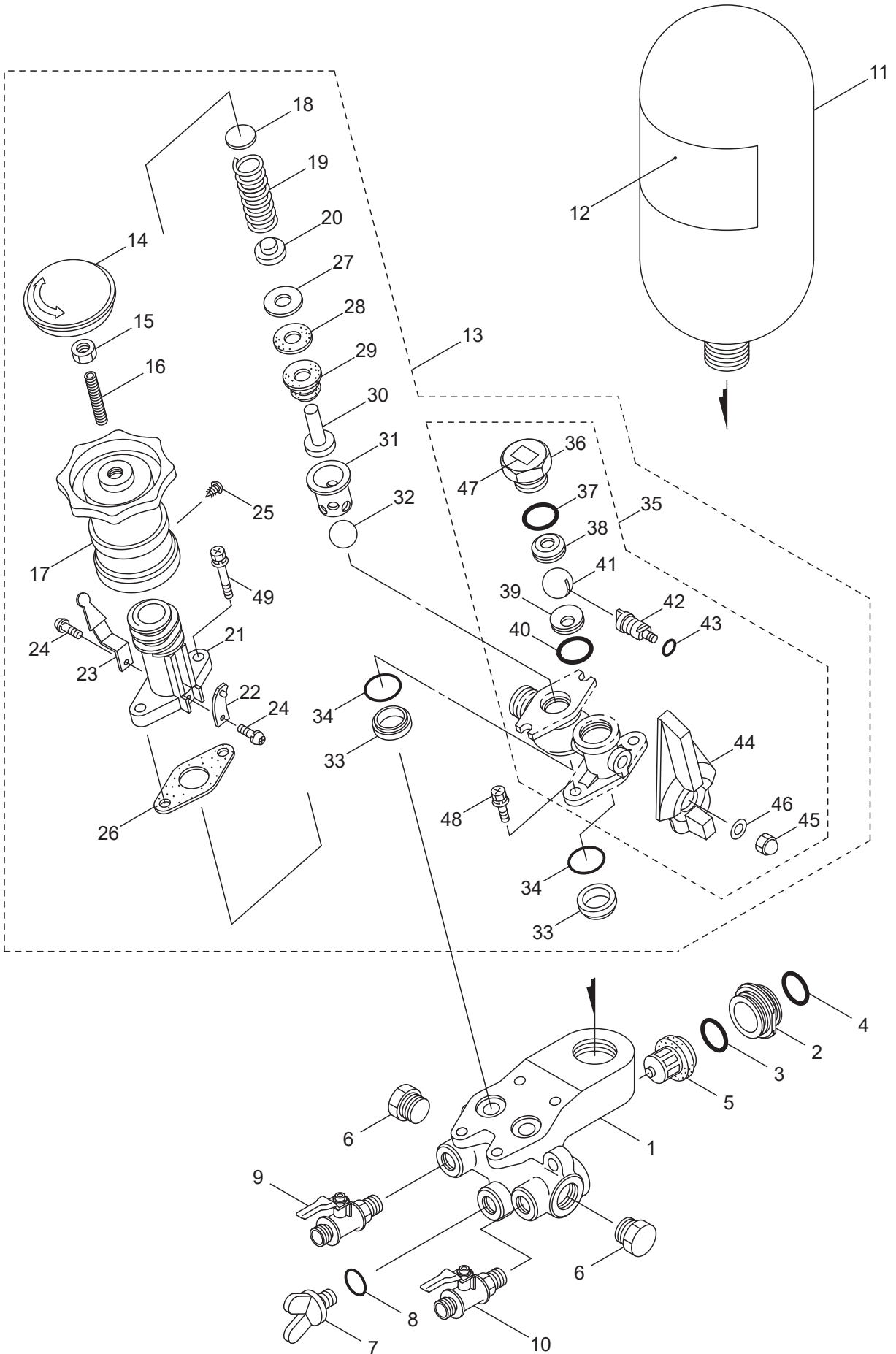
2. MS415ECH POWER SPRAYER (CRANKCASE, SUCTION VALVE)



525183-02

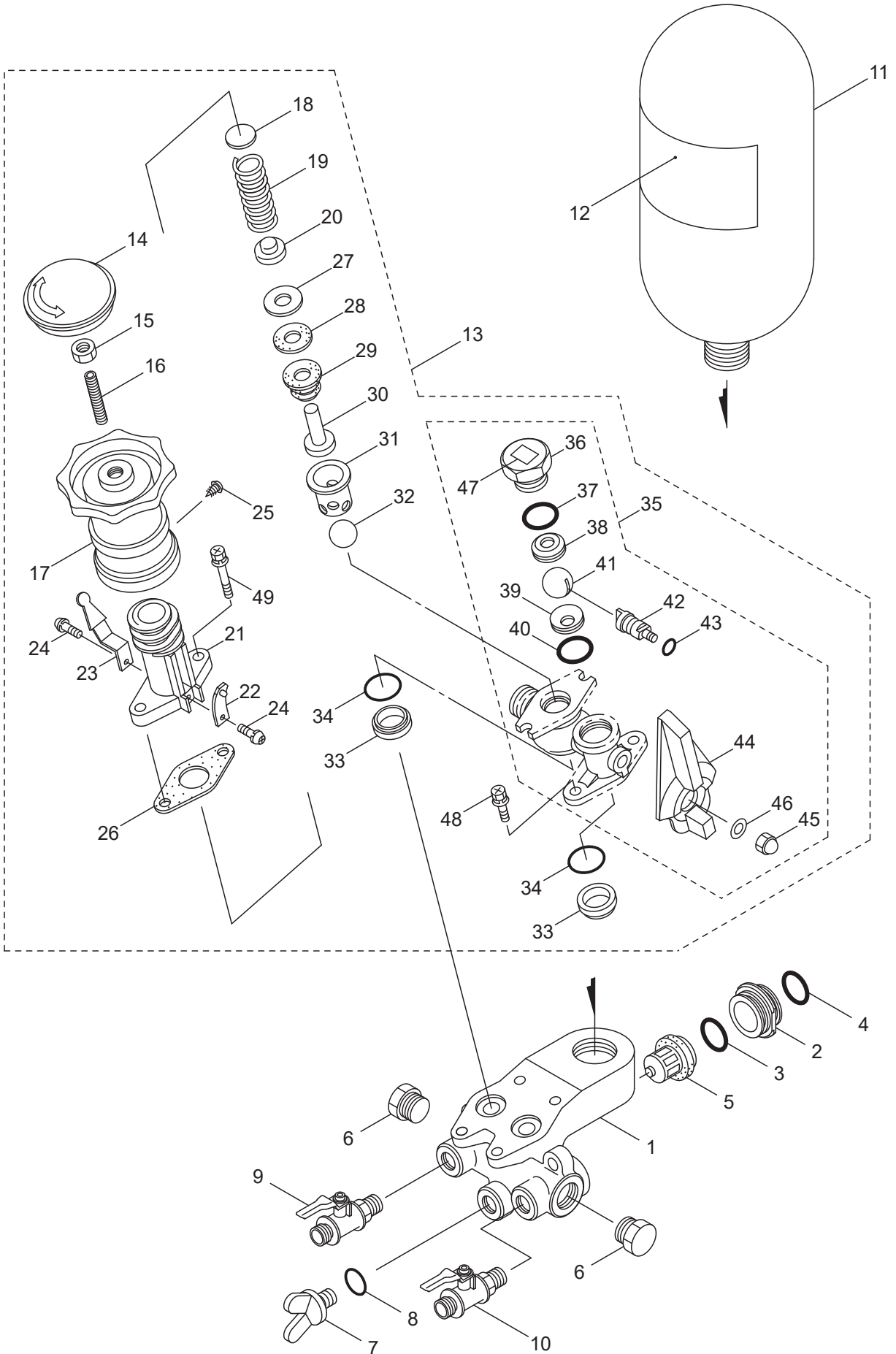
| Ref.No. | Parts No. | Parts Name | Q'ty | Remarks |
|---------|-----------|------------|------|-------------|
| 2-46 | 126201 | Nut | 4 | M8 |
| 2-47 | 100837 | V-Pulley | 1 | 152-AX2 |
| 2-48 | 014543 | Key | 1 | 5X5X25 |
| 2-49 | 126258 | Bolt | 1 | M8X20 |
| 2-50 | 126198 | Washer | 1 | 8.5X30XT3.2 |
| 2-51 | 835062 | Plate | 1 | M6X20 |
| 2-52 | 835056 | Plate | 1 | |
| 2-53 | 126541 | Bolt | 2 | |
| 2-54 | 102167 | Label | 1 | |
| | | | | |
| | | | | |
| | | | | |
| | | | | |
| | | | | |
| | | | | |
| | | | | |
| | | | | |
| | | | | |
| | | | | |

3. MS415ECH POWER SPRAYER (PRESSURE REGULATOR VALVE)

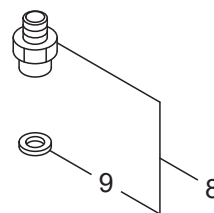
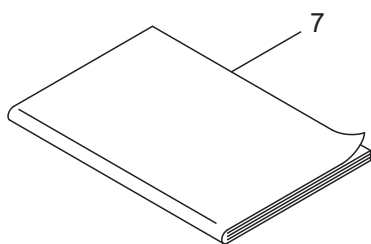
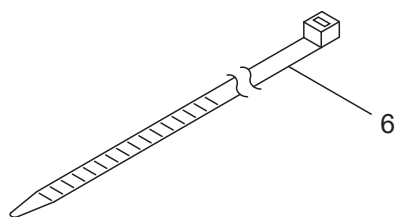
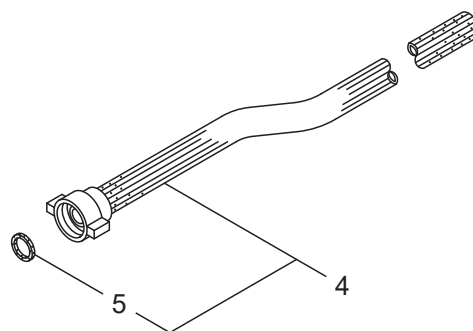
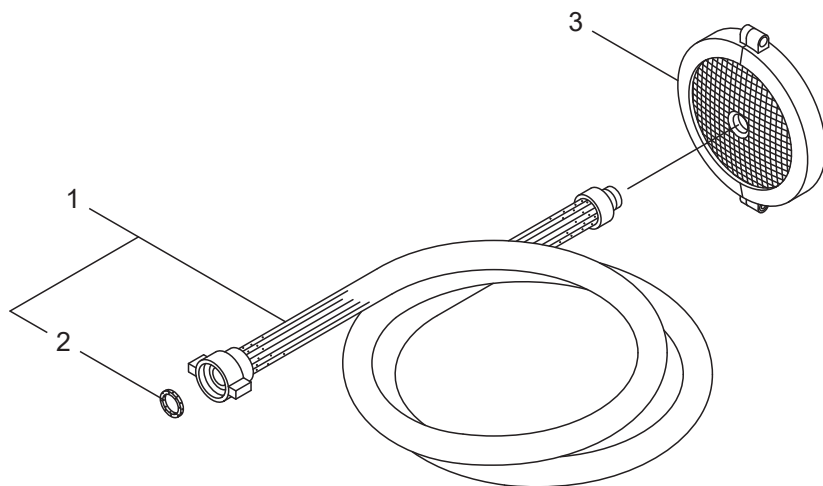


| Ref.No. | Parts No. | Parts Name | Q'ty | Remarks |
|---------|-----------|--------------------------------|------|-------------|
| 3-1 | 120831 | Discharge Manifold | 1 | |
| 3-2 | 130537 | Pipe Receiver | 3 | |
| 3-3 | 023172 | O-Ring | 3 | P22 |
| 3-4 | 015862 | O-Ring | 3 | P21 |
| 3-5 | 120276 | Valve Ass'y | 3 | |
| 3-6 | 108368 | Plug | 2 | R1/2 |
| 3-7 | 108366 | Plug | 1 | G1/4 |
| 3-8 | 023170 | O-Ring | 1 | P12.5 |
| 3-9 | 120834 | Ball Cock | 1 | G1/4XR1/4 |
| 3-10 | 120835 | Ball Cock | 1 | G3/8XR3/8 |
| 3-11 | 130548 | Air Chamber | 1 | |
| 3-12 | 130513 | Label | 1 | |
| 3-13 | 130453 | Pressure Regulator Valve Ass'y | 1 | Incl.14-49 |
| 3-14 | 130454 | Cap | 1 | |
| 3-15 | 126195 | Nut | 1 | M10 |
| 3-16 | 088975 | Set Screw | 1 | M10X49 |
| 3-17 | 130455 | Knob | 1 | |
| 3-18 | 126196 | Valve Seat | 1 | 17X2.3 |
| 3-19 | 105520 | Spring | 1 | 3.2-35L |
| 3-20 | 105521 | Retainer | 1 | |
| 3-21 | 105522 | Spring Case | 1 | |
| 3-22 | 108474 | Seat Spring | 1 | |
| 3-23 | 105524 | Pressure Gauge | 1 | |
| 3-24 | 816018 | Screw | 2 | M4X0.7X8 |
| 3-25 | 089899 | Tapping Screw | 1 | M4X13 |
| 3-26 | 105527 | Packing | 1 | |
| 3-27 | 012255 | Washer | 1 | 6.2X22XT0.6 |
| 3-28 | 016972 | Bellows Packing | 1 | 5X22X1.5 |
| 3-29 | 011451 | Bellows | 1 | |
| 3-30 | 124188 | Valve Rod | 1 | |
| 3-31 | 109026 | Retainer | 1 | |
| 3-32 | 107238 | Valve Ball | 1 | 12.7 |
| 3-33 | 020971 | Valve Seat | 2 | 10X20X6.5 |
| 3-34 | 014179 | O-Ring | 2 | P20 |
| 3-35 | 121014 | Pressure Regulator Valve Body | 1 | Incl.36-47 |
| 3-36 | 121689 | Ball Retainer | 1 | |
| 3-37 | 013971 | O-Ring | 1 | S20 |
| 3-38 | 121690 | Valve Seat | 1 | |
| 3-39 | 121691 | Valve Seat | 1 | |
| 3-40 | 013967 | O-Ring | 1 | S14 |
| 3-41 | 120840 | Ball Valve | 1 | |
| 3-42 | 120841 | Ball Rotater | 1 | |
| 3-43 | 013918 | O-Ring | 1 | S5 |
| 3-44 | 121007 | Handle | 1 | |
| 3-45 | 100166 | Nut | 1 | M5 |

3. MS415ECH POWER SPRAYER (PRESSURE REGULATOR VALVE)



4. MS415ECH ACCESSORIES



| Ref.No. | Parts No. | Parts Name | Q'ty | Remarks |
|---------|-----------|------------------------|------|---------------|
| 4-1 | 811356 | Water Hose | 1 | Incl.2 |
| 4-2 | 103686 | Packing | 1 | 18.5X24XT2 |
| 4-3 | 122017 | Suction Strainer Ass'y | 1 | |
| 4-4 | 811357 | Drain Hose | 1 | Incl.5 |
| 4-5 | 103685 | Packing | 1 | 12X18.5XT1.5 |
| 4-6 | 107107 | Band | 1 | |
| 4-7 | 131139 | Instruction Manual | 1 | MS315-755 |
| 4-8 | 811343 | Extension Ass'y | 1 | Incl.9 |
| 4-9 | 011205 | Packing | 1 | 11.5X16.5X1.5 |
| | | | | |
| | | | | |
| | | | | |
| | | | | |
| | | | | |
| | | | | |
| | | | | |
| | | | | |
| | | | | |
| | | | | |
| | | | | |