

PARTS LIST

LB300

CONTENTS

| | |
|--------------------------------|----|
| 1. PARTS KIT | 1 |
| 2. MAIN BODY | 3 |
| 3. LANDSCAPE BLADE V5..... | 5 |
| 4. ENGINE | 7 |
| 5. CARBURETOR, FUEL TANK | 11 |
| 6. ACCESSORIES | 15 |

2021. 07.

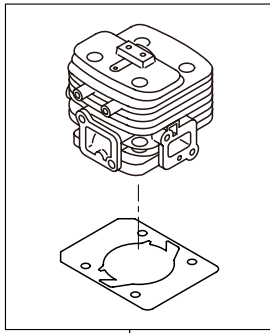


MARUYAMA

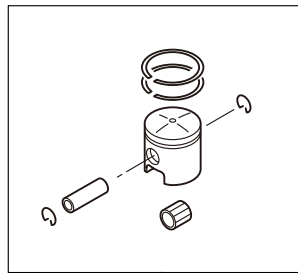
P/N 525222

LB300

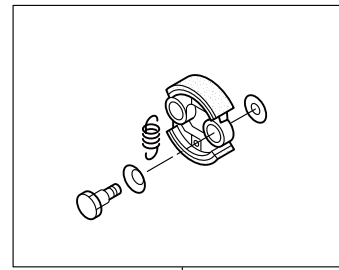
1. PARTS KIT



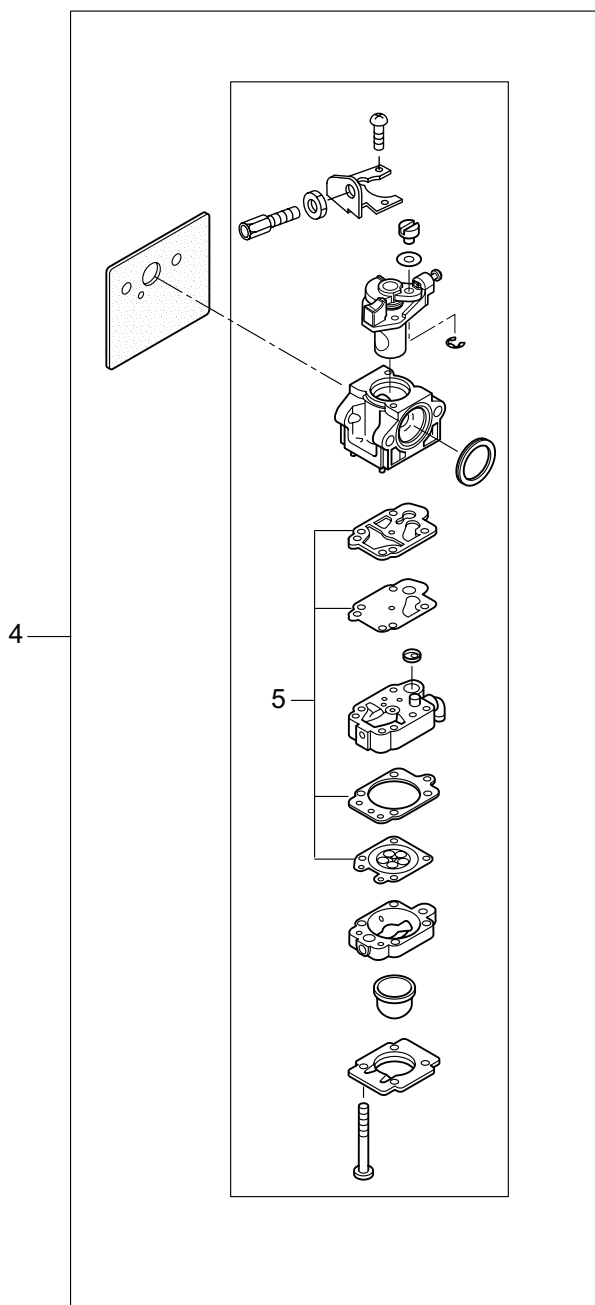
1



2

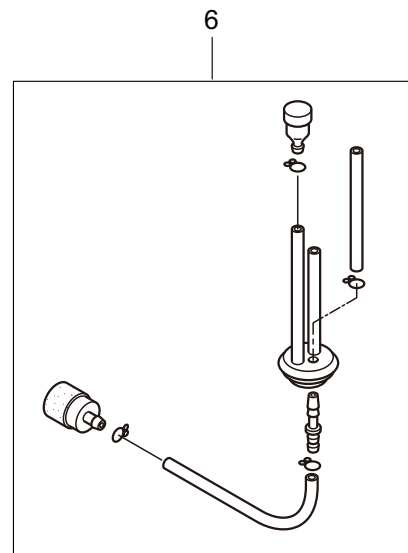


3



4

5

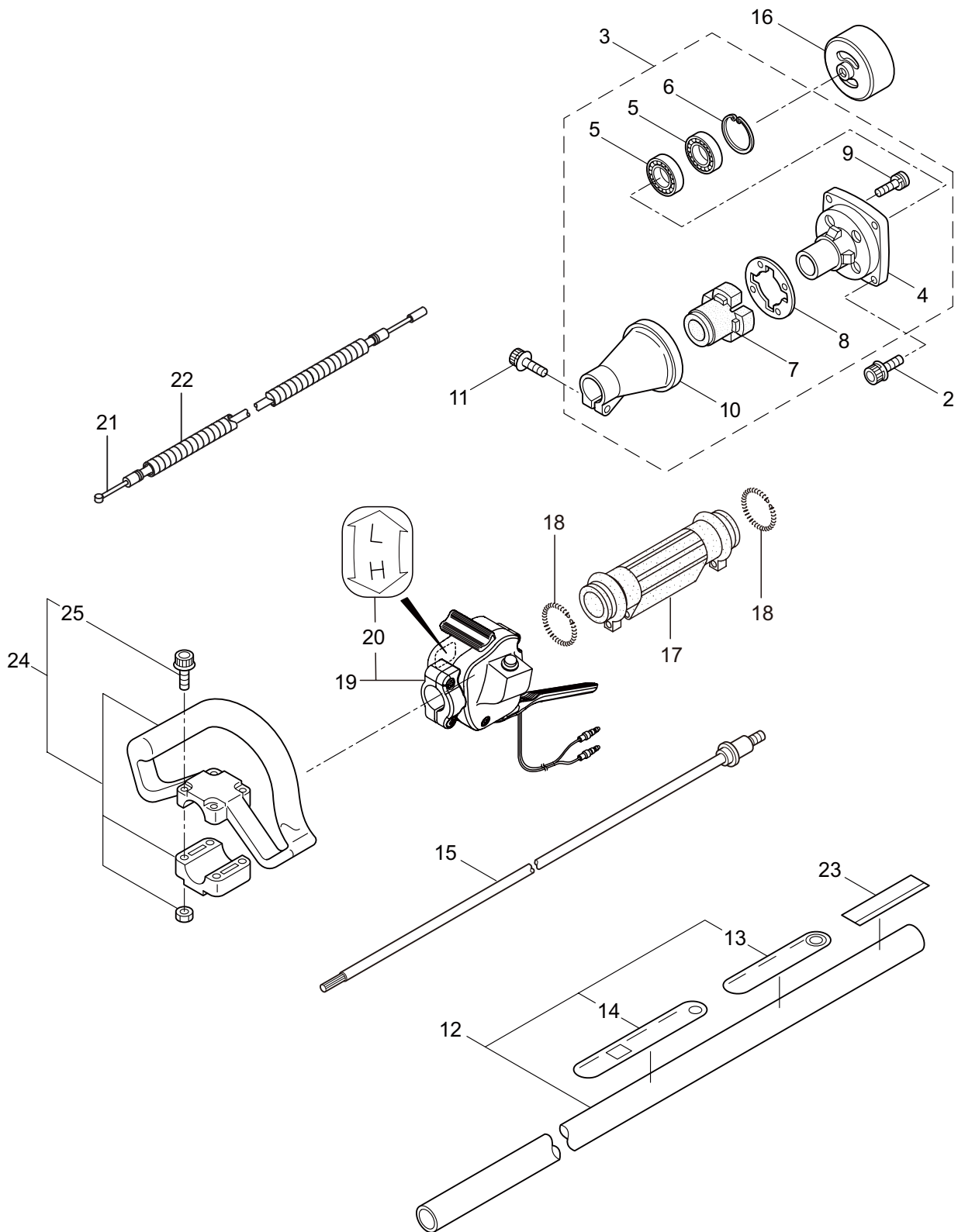


6

| Ref. No. | Part No. | Part Name | Q'ty | Remarks |
|----------|----------|-------------------------|------|---------|
| 1-1 | 247676 | Cylinder Kit | 1 | |
| 1-2 | 247677 | Piston Kit | 1 | |
| 1-3 | 246919 | Clutch Kit | 1 | |
| 1-4 | 247890 | Carburetor Kit | 1 | Incl.5 |
| 1-5 | 247867 | Carburetor Parts Kit | 1 | |
| 1-6 | 289035 | Fuel Pipe Pick-up Ass'y | 1 | |
| | | | | |
| | | | | |
| | | | | |
| | | | | |
| | | | | |
| | | | | |
| | | | | |
| | | | | |
| | | | | |

LB300

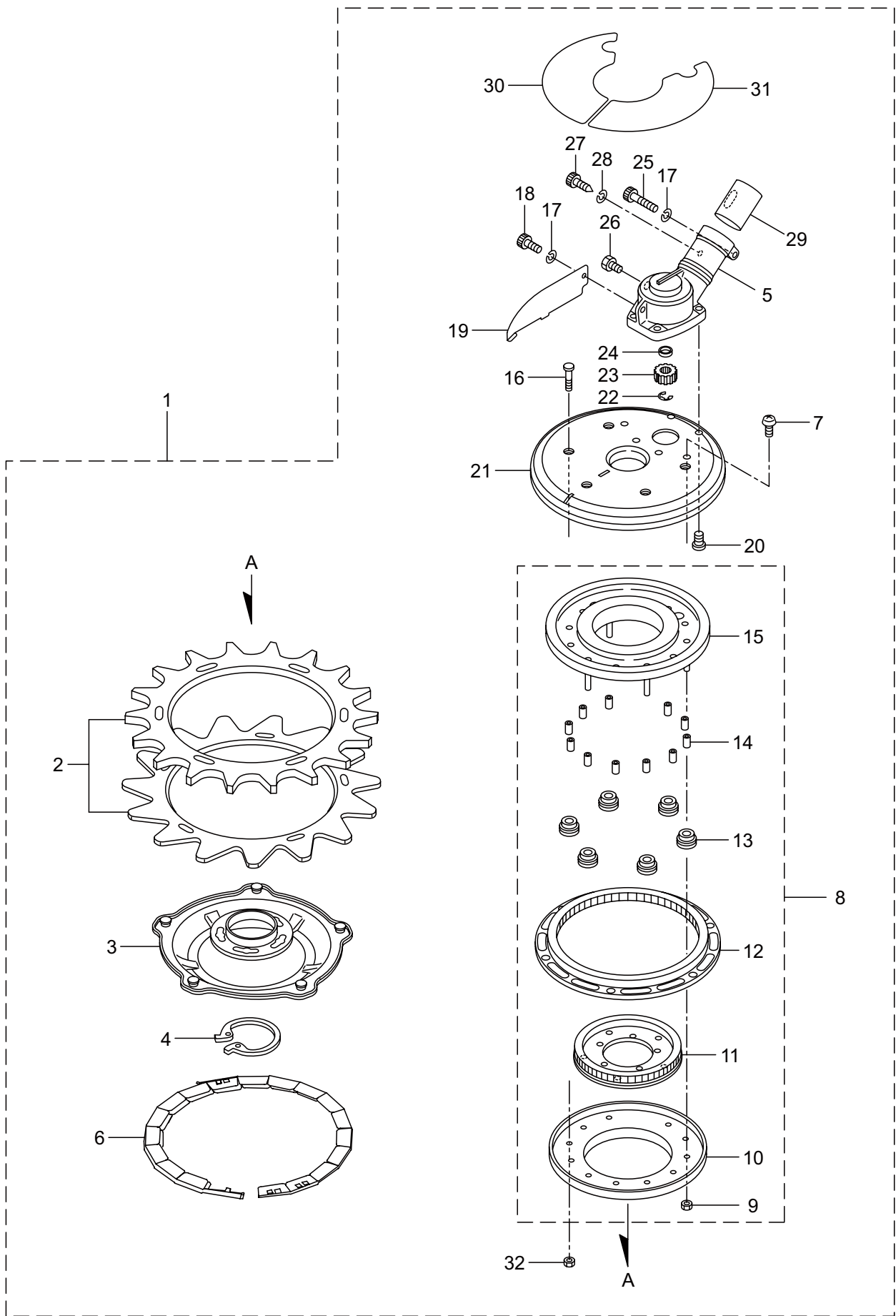
2. MAIN BODY



| Ref. No. | Part No. | Part Name | Q'ty | Remarks |
|----------|----------|-------------------------|------|------------|
| 2-1 | 365013 | LB300 | 1 | |
| 2-2 | 261250 | Cap Screw | 4 | M5x20 |
| 2-3 | 215512 | Clutch Case Ass'y | 1 | Incl.4-10 |
| 2-4 | 214592 | Bearing Case | 1 | |
| 2-5 | 214161 | Bearing | 2 | #6000ZZ |
| 2-6 | 054676 | Snap Ring | 1 | #26 |
| 2-7 | 560309 | Buffer | 1 | |
| 2-8 | 214163 | Washer | 1 | |
| 2-9 | 092033 | Screw | 4 | M5x15 |
| 2-10 | 214593 | Driveshaft Tube Adapter | 1 | |
| 2-11 | 261246 | Cap Screw | 1 | M5x25 |
| 2-12 | 243077 | Driveshaft Tube Ass'y | 1 | Incl.13,14 |
| 2-13 | 221501 | Label | 1 | Warning |
| 2-14 | 221502 | Label | 1 | Caution |
| 2-15 | 219268 | Driveshaft Ass'y | 1 | |
| 2-16 | 054677 | Clutch Drum | 1 | |
| 2-17 | 211736 | Shaft Grip | 1 | |
| 2-18 | 211737 | Band | 2 | |
| 2-19 | 242050 | Throttle Trigger Ass'y | 1 | Incl.20 |
| 2-20 | 237241 | Label | 1 | |
| 2-21 | 235752 | Throttle Cable | 1 | |
| 2-22 | 213548 | Plastic Tube | 1 | #10x200L |
| 2-23 | 243074 | Label | 1 | LB300 |
| 2-24 | 227816 | Loop Handle Ass'y | 1 | Incl.25 |
| 2-25 | 215608 | Cap Screw | 4 | M5x30x16 |
| | | | | |
| | | | | |
| | | | | |
| | | | | |

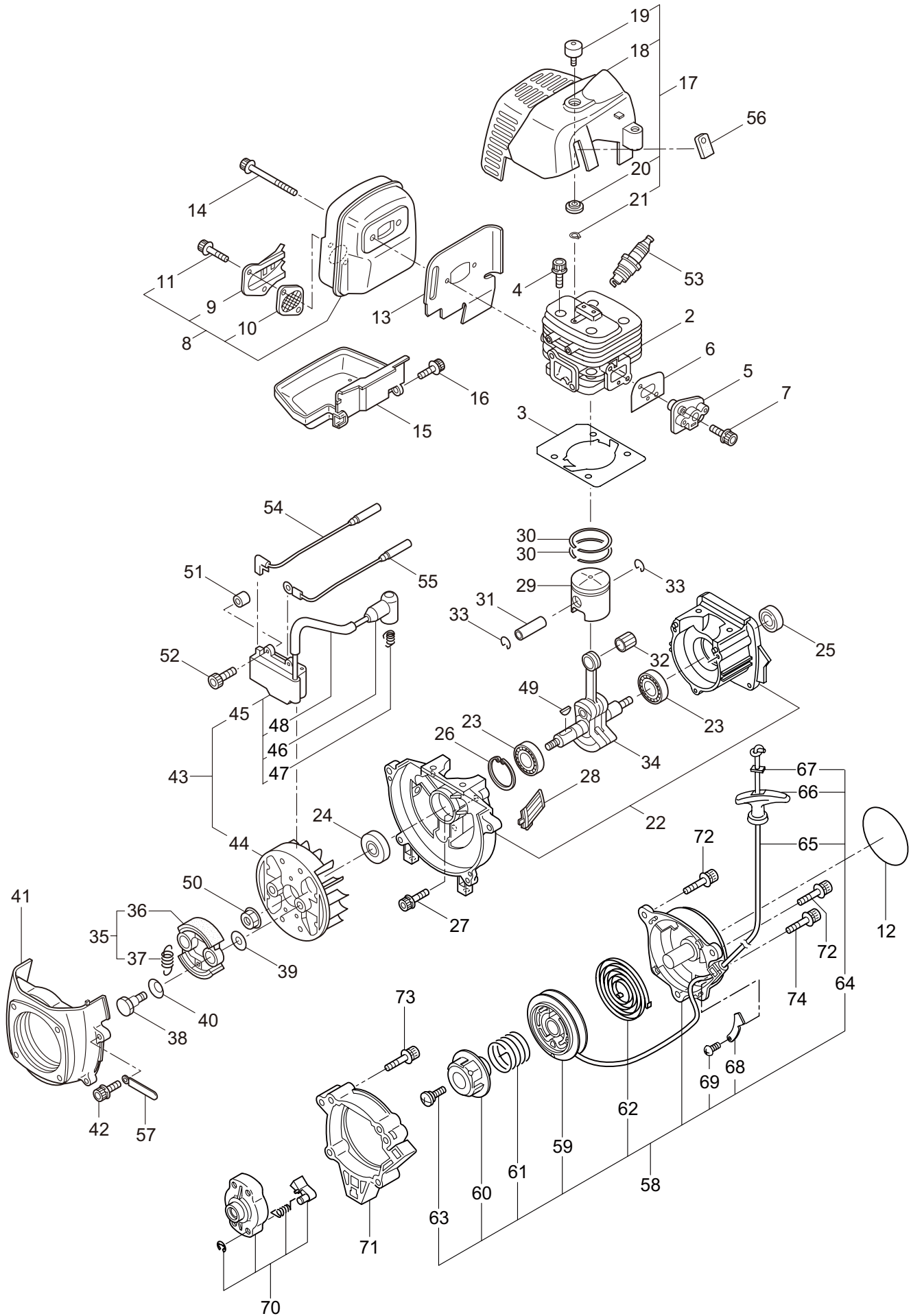
LB300

3. LANDSCAPE BLADE V5



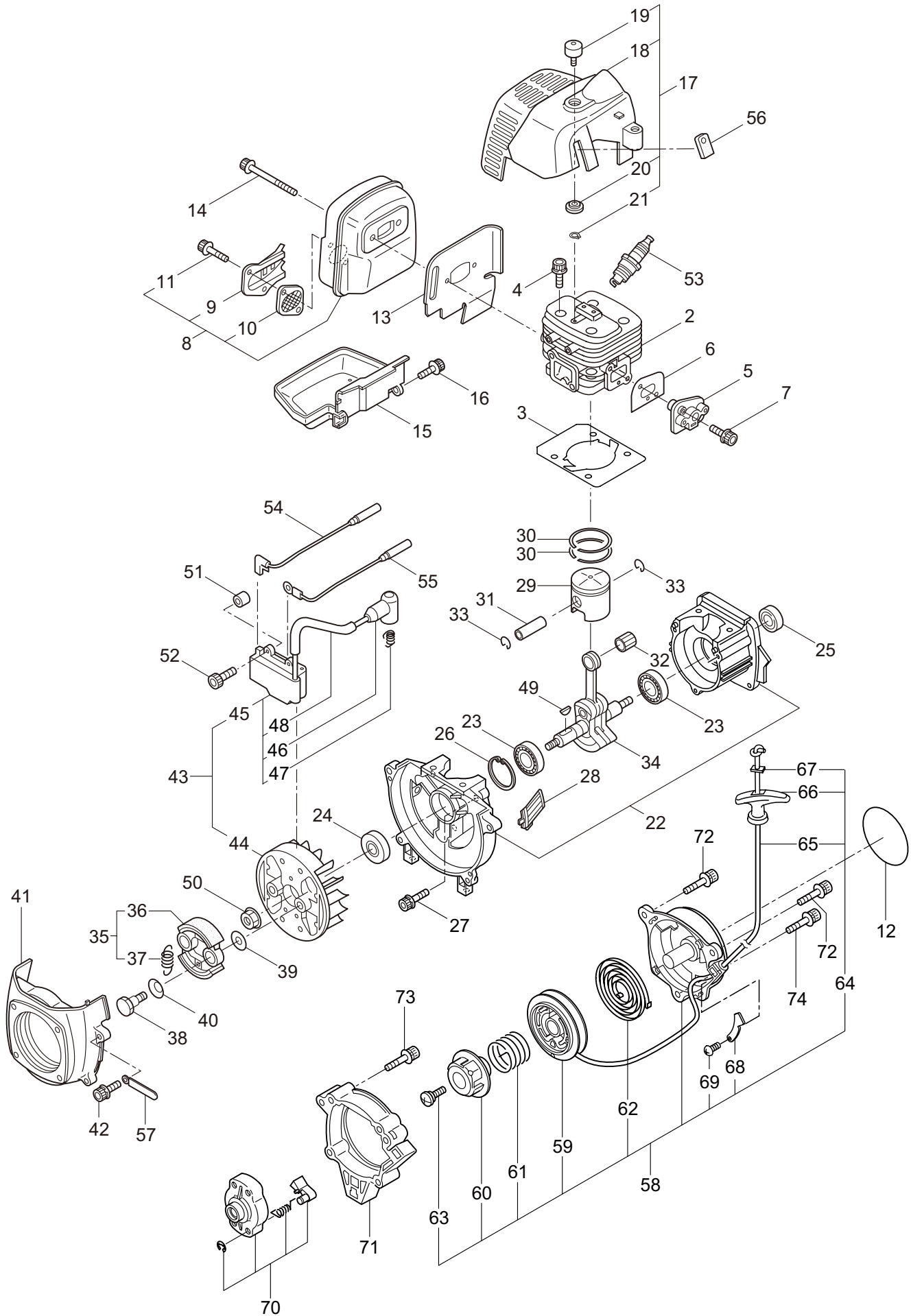
| Ref. No. | Part No. | Part Name | Q'ty | Remarks |
|----------|----------|----------------------------|------|-----------|
| 3-1 | 391429 | LANDSCAPE BLADE V5 | 1 | Incl.2-32 |
| 3-2 | 460604 | Blade Set | 1 | |
| 3-3 | 427006 | Bottom Disk | 1 | |
| 3-4 | 418976 | Bottom Disk Fixing Bracket | 1 | |
| 3-5 | 427007 | Gear Case B Type | 1 | |
| 3-6 | 418975 | Blade Protection Cover | 1 | |
| 3-7 | 418966 | Sems Cap Screw | 2 | M6x10 |
| 3-8 | 427008 | Gear Unit RA | 1 | Incl.9-15 |
| 3-9 | 427009 | U-Nut | 6 | M5 |
| 3-10 | 429834 | Lower Oil Case Ass'y | 1 | |
| 3-11 | 429835 | Gear Ass'y | 1 | |
| 3-12 | 429225 | Outer Gear RA Ass'y | 1 | |
| 3-13 | 429836 | Free Roller C | 6 | |
| 3-14 | 429226 | Spacer RA | 11 | |
| 3-15 | 429837 | Upper Oil Case Ass'y | 1 | |
| 3-16 | 427019 | Stud Screw | 5 | M5x18 |
| 3-17 | 418958 | Spring Washer | 2 | M5 |
| 3-18 | 418959 | Cap Screw | 1 | M5x8 |
| 3-19 | 427020 | Stabilizer | 1 | |
| 3-20 | 427021 | Low Head Cap Screw | 4 | M6x8 |
| 3-21 | 428932 | Body Case + Rubber Seal | 1 | |
| 3-22 | 427023 | E-Ring | 1 | #4 |
| 3-23 | 418968 | Drive Pinion Gear | 1 | |
| 3-24 | 642868 | Output Shaft Spacer | 1 | |
| 3-25 | 418956 | Cap Screw | 1 | M5x25 |
| 3-26 | 418957 | Hex Screw | 1 | M5x6 |
| 3-27 | 460605 | Screw | 1 | M5x12 |
| 3-28 | 460606 | Spring Washer | 1 | M5 |
| 3-29 | 426991 | Sleeve | 1 | |
| 3-30 | 460602 | Label | 1 | |
| 3-31 | 460603 | Label | 1 | |
| 3-32 | 427009 | U-Nut | 5 | M5 |
| | | | | |
| | | | | |

LB300
4. ENGINE



| Ref. No. | Part No. | Part Name | Q'ty | Remarks |
|----------|----------|---------------------------|------|---------------------|
| 4-1 | 875581 | Engine | 1 | CE300/115 |
| 4-2 | 286791 | Cylinder | 1 | |
| 4-3 | 286846 | Gasket | 1 | |
| 4-4 | 261250 | Cap Screw | 4 | M5x20 |
| 4-5 | 269144 | Insulator | 1 | New gasket required |
| 4-6 | 267049 | Gasket | 1 | |
| 4-7 | 265924 | Cap Screw | 2 | M5x25 |
| 4-8 | 283007 | Muffler Ass'y | 1 | Incl.9-11 |
| 4-9 | 268171 | Muffler Tail | 1 | |
| 4-10 | 267056 | Spark Arrester | 1 | |
| 4-11 | 265107 | Cap Screw | 2 | M4x10 |
| 4-12 | 246567 | Label | 1 | CER300 |
| 4-13 | 281440 | Gasket | 1 | |
| 4-14 | 266402 | Cap Screw | 2 | M5x55 |
| 4-15 | 281435 | Under Cover | 1 | |
| 4-16 | 267191 | Cap Screw | 1 | M5x16 |
| 4-17 | 286707 | Top Cover Ass'y | 1 | Incl.18-21 |
| 4-18 | 281434 | Top Cover | 1 | |
| 4-19 | 286300 | Knob | 1 | |
| 4-20 | 261020 | Spacer | 1 | |
| 4-21 | 261734 | Snap Ring | 1 | #5 |
| 4-22 | 286851 | Crankcase | 1 | |
| 4-23 | 280488 | Bearing | 2 | PPL 6001 |
| 4-24 | 261492 | Oil Seal | 1 | ISCD12287 |
| 4-25 | 261386 | Oil Seal | 1 | ISCD12227 |
| 4-26 | 055185 | Snap Ring | 1 | H28 |
| 4-27 | 261612 | Cap Screw | 3 | M5x30 |
| 4-28 | 281442 | Screen | 1 | |
| 4-29 | 283380 | Piston | 1 | |
| 4-30 | 265067 | Piston Ring | 2 | (2)Required |
| 4-31 | 265068 | Piston Pin | 1 | |
| 4-32 | 265225 | Bearing,Needle | 1 | |
| 4-33 | 261393 | Clip,Piston Pin | 2 | |
| 4-34 | 265141 | Crankshaft/Conn.Rod Ass'y | 1 | |
| 4-35 | 267327 | Clutch Ass'y | 1 | Incl.36,37 |
| 4-36 | 267342 | Clutch Shoe | 2 | (2)required |
| 4-37 | 267345 | Spring,Clutch | 1 | |
| 4-38 | 264505 | Bolt | 2 | |
| 4-39 | 261189 | Washer | 2 | 6x16.5x1.2 |
| 4-40 | 261777 | Wave Washer | 2 | |
| 4-41 | 281433 | Fan Cover | 1 | |
| 4-42 | 261250 | Cap Screw | 4 | M5x20 |
| 4-43 | 287898 | Magneto Ass'y | 1 | Incl.44-48 |
| 4-44 | 287902 | Rotor/Fan | 1 | |
| 4-45 | 281746 | Ignition Coil Ass'y | 1 | Incl.46-48 |

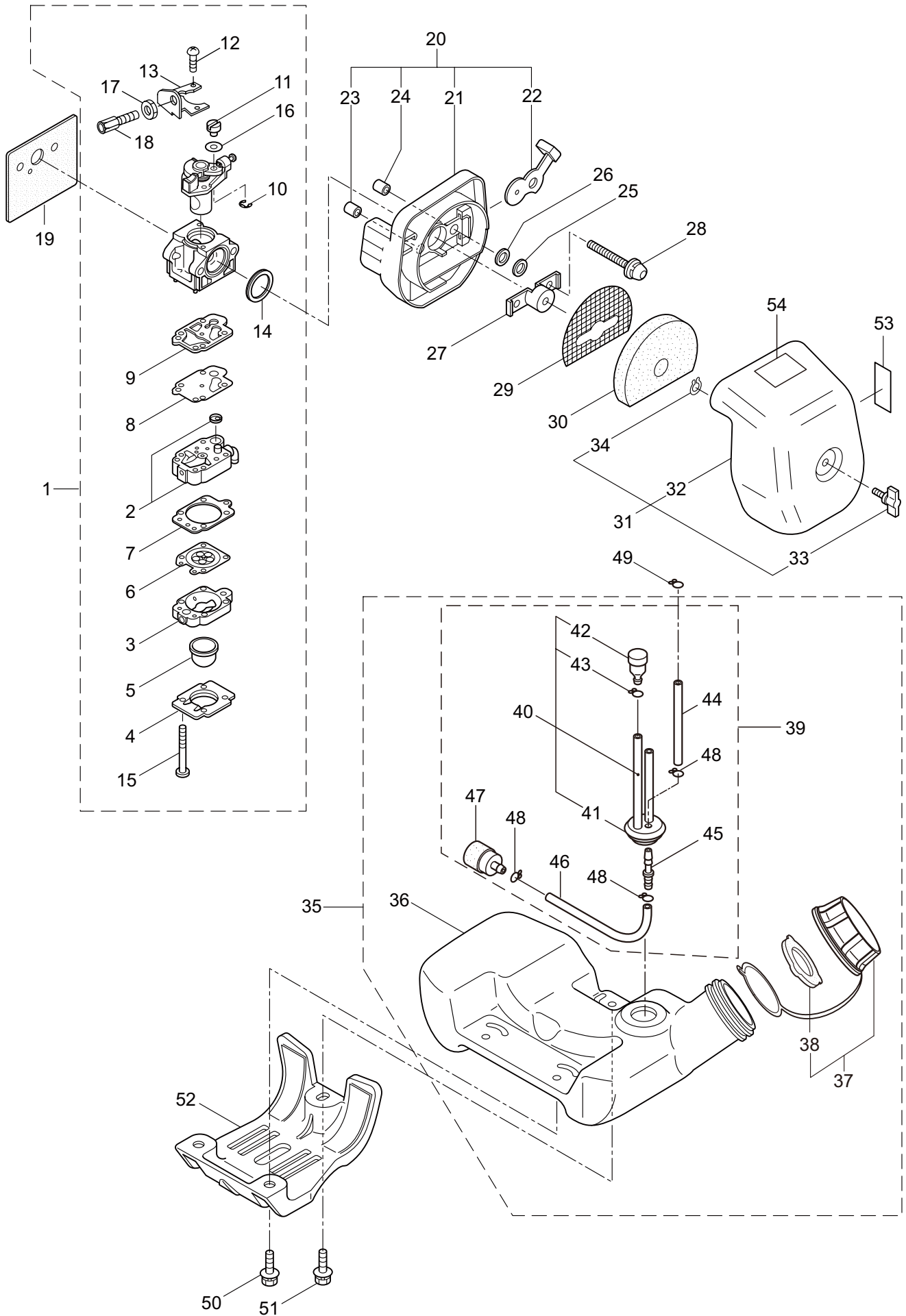
LB300
4. ENGINE



| Ref. No. | Part No. | Part Name | Q'ty | Remarks |
|----------|----------|--------------------|------|------------|
| 4-46 | 269714 | Plug Boot | 1 | |
| 4-47 | 269715 | Connector | 1 | |
| 4-48 | 281756 | Insulator | 1 | |
| 4-49 | 261076 | Woodruff Key | 1 | 3x10 |
| 4-50 | 261417 | Nut,Rotor | 1 | M8 |
| 4-51 | 280381 | Spacer | 2 | |
| 4-52 | 261256 | Cap Screw | 2 | M4x25 |
| 4-53 | 285982 | Spark Plug | 1 | NGK BPM8Y |
| 4-54 | 269722 | Lead | 1 | |
| 4-55 | 268044 | Lead | 1 | |
| 4-56 | 269189 | Grommet | 1 | |
| 4-57 | 264588 | Clamp | 1 | |
| 4-58 | 273254 | Starter Ass'y | 1 | Incl.59-69 |
| 4-59 | 283504 | Reel | 1 | |
| 4-60 | 283505 | Cam Plate | 1 | |
| 4-61 | 283506 | Spring | 1 | |
| 4-62 | 261721 | Spiral Spring | 1 | |
| 4-63 | 267213 | Screw | 1 | |
| 4-64 | 273261 | Rope Ass'y | 1 | Incl.65-67 |
| 4-65 | 283579 | Stater Rope | 1 | |
| 4-66 | 287651 | Starter Grip | 1 | |
| 4-67 | 283511 | Rope Stopper | 1 | |
| 4-68 | 277328 | Cover | 1 | |
| 4-69 | 273037 | Screw | 1 | |
| 4-70 | 283575 | Starter Pawl Ass'y | 1 | |
| 4-71 | 284698 | Adapter Ass'y | 1 | |
| 4-72 | 283391 | Cap Screw | 2 | M4x20 |
| 4-73 | 265726 | Cap Screw | 4 | M4x16 |
| 4-74 | 282096 | Cap Screw | 1 | M4x16WSW |
| | | | | |
| | | | | |
| | | | | |

LB300

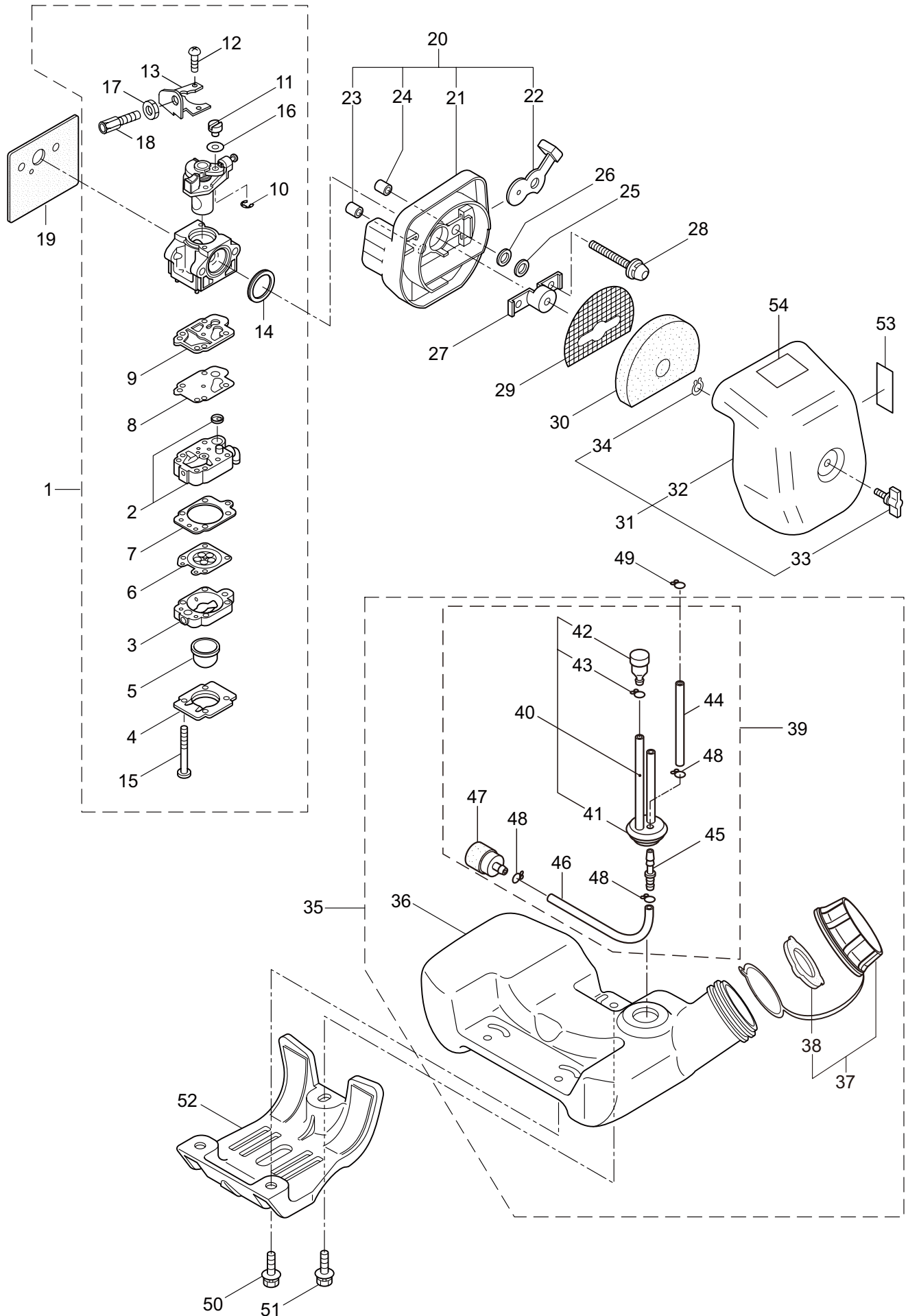
5. CARBURETOR, FUEL TANK



| Ref. No. | Part No. | Part Name | Q'ty | Remarks | |
|----------|----------|-------------------------|------|-------------------------------|--------------|
| 5-1 | 282542 | Carburetor Ass'y | 1 | Incl.2-18 New gasket required | |
| 5-2 | 264155 | Pump Body | 1 | | |
| 5-3 | 262991 | Purge Body | 1 | | |
| 5-4 | 262992 | Cover Plate | 1 | | |
| 5-5 | 261874 | Primer Bulb | 1 | | |
| 5-6 | 283905 | Diaphragm, Meterring | 1 | | |
| 5-7 | 262993 | Gasket | 1 | | |
| 5-8 | 262994 | Diaphragm,Fuel Pump | 1 | | |
| 5-9 | 282576 | Gasket | 1 | | |
| 5-10 | 261876 | E-Ring | 1 | | |
| 5-11 | 261658 | Swivel | 1 | | |
| 5-12 | 261875 | Screw | 2 | | |
| 5-13 | 264677 | Bracket | 1 | | |
| 5-14 | 261657 | Packing | 1 | | |
| 5-15 | 262996 | Screw | 4 | | |
| 5-16 | 264678 | Washer | 1 | M6 | |
| 5-17 | 261878 | Nut | 1 | | |
| 5-18 | 263994 | Adapter | 1 | | |
| 5-19 | 269762 | Gasket | 1 | | |
| 5-20 | 268055 | Air Filter Case Ass'y | 1 | | Incl.21-24 |
| 5-21 | 268056 | Air Filter Case | 1 | | |
| 5-22 | 268057 | Valve | 1 | | |
| 5-23 | 268157 | Sleeve | 1 | | 5.5x7.1x6L |
| 5-24 | 268412 | Sleeve | 1 | | 5.2x7.1x6.4L |
| 5-25 | 263345 | Packing | 1 | | 7.2x11xt1.3 |
| 5-26 | 263942 | Washer | 1 | 7.2x12xt0.15 | |
| 5-27 | 263815 | Stay | 1 | | |
| 5-28 | 264016 | Cap Screw | 2 | | M5x60 |
| 5-29 | 265026 | Screen | 1 | | |
| 5-30 | 265027 | Foam Element | 1 | | |
| 5-31 | 268058 | Air Filter Cover Ass'y | 1 | Incl.32-34 | |
| 5-32 | 268059 | Air Filter Cover | 1 | | |
| 5-33 | 281438 | Knob | 1 | #5 | |
| 5-34 | 261734 | Snap Ring | 1 | | |
| 5-35 | 246592 | Fuel Tank Ass'y | 1 | | Incl.36-48 |
| 5-36 | 284820 | Fuel Tank | 1 | Incl.38 | |
| 5-37 | 289046 | Tank Cap Ass'y | 1 | | |
| 5-38 | 287058 | Gasket | 1 | | |
| 5-39 | 289035 | Fuel Pipe Pick-up Ass'y | 1 | Incl.40-48 | |
| 5-40 | 289036 | Fuel Pipe Ass'y | 1 | | Incl.41-43 |
| 5-41 | 268065 | Grommet | 1 | 3x5x53L | |
| 5-42 | 261590 | Breather | 1 | | |
| 5-43 | 261117 | Clip | 1 | | |
| 5-44 | 289028 | Pipe A | 1 | | |
| 5-45 | 288921 | Joint | 1 | | |

LB300

5. CARBURETOR, FUEL TANK



| Ref. No. | Part No. | Part Name | Q'ty | Remarks |
|----------|----------|--------------|------|----------|
| 5-46 | 289033 | Pipe | 1 | 3x5x100L |
| 5-47 | 277887 | Filter Ass'y | 1 | |
| 5-48 | 261117 | Clip | 3 | |
| 5-49 | 261117 | Clip | 1 | |
| 5-50 | 281714 | Cap Screw | 2 | M5x20 |
| 5-51 | 281715 | Cap Screw | 1 | M5x20 |
| 5-52 | 281441 | Stand | 1 | |
| 5-53 | 261352 | Label | 1 | Choke |
| 5-54 | 285188 | Label | 1 | |
| | | | | |
| | | | | |
| | | | | |
| | | | | |
| | | | | |
| | | | | |
| | | | | |
| | | | | |
| | | | | |

LB300
6. ACCESSORIES

