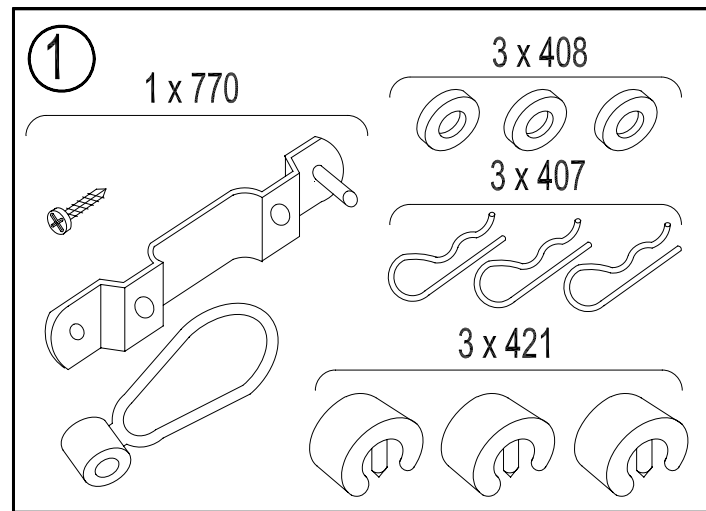
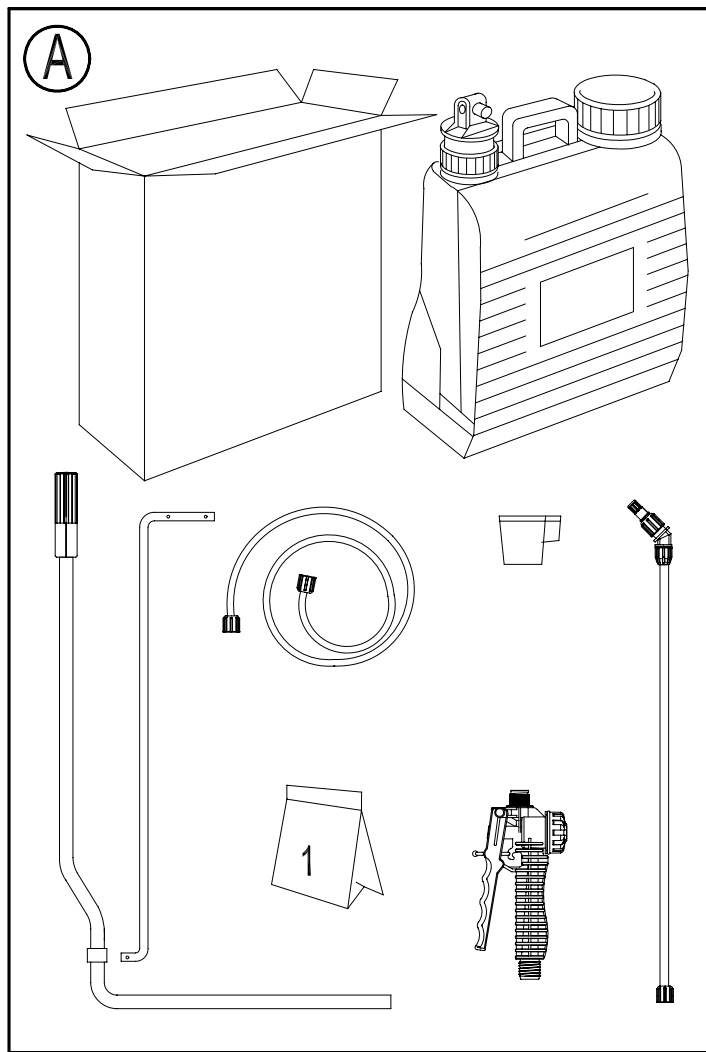


Is Your Product Registered?

Contact your Dealer to verify.

Warranties are based on Registrations and reduced to 1 year without  
Registration.



### INITIAL ASSEMBLY

Image A indicates packaging contents. Drawing 1 indicates the mounting kit contents. Is inside the tank. Place the lever arm on top of the pump and fit it with pieces (408) and (407) as shown in image B. Lay down the tank and fix the lever to the base hole, by joining in coincidence the bearing with the bottom of the arm. Fix with pieces (407), (408) and (421) as per Image C. Place the lever shutter as shown in Image D.

### START-UP

Couple the hose (757) to the lance (764) and to the chamber (762). Unscrew the tank cover without taking out the filter and pour the liquid to be mixed. Adjust the straps as indicated in Image E. Pump the lever some 8 - 10 times to build pressure. Press the trigger (750) and regulate the nozzle (122) rotating it towards one side and the other to get the desired spray pattern. Bear in mind that 6 to 8 strokes per minute gives a flow output of 24 oz./ 0.7 liters to 27 oz./ 0.8 liters/min.

### MAINTENANCE & TROUBLESHOOTING

Clean the equipment and internal components, including the filter at the end of the workday. Clean water and liquid detergents will assist this process. **NEVER LEAVE THE SPRAYER PRESSURIZED OR STORE WITH CHEMICALS IN TANK.** Release pressure and rinse thoroughly.

**NOZZLE OBSTRUCTION (122)** Clean nozzle with water pressure or non metallic instruments taking care not to damage the orifice. **RETAINER CHANGE (434):** loosen the bolt (407) taking care not to miss the washer (408), take out the agitator horizontally (425), remove the pressure chamber (760). Use the agitator as in figure F, fit the cross on the stirrer blade into the channels or slots in the valve (465) and, unscrew it. Pick up the ball. Replace the retainer (434) with a new one and screw up again the valve. Do not forget to place the ball inside it. With the help of the stirrer in the indicated position, tighten the valve (465) firmly into the chamber. Proceed to mount the chamber, washer and the agitator. **PERIODICALLY LUBRICATE THE FELT GASKETS (404).**

### GENERAL PRECAUTIONS

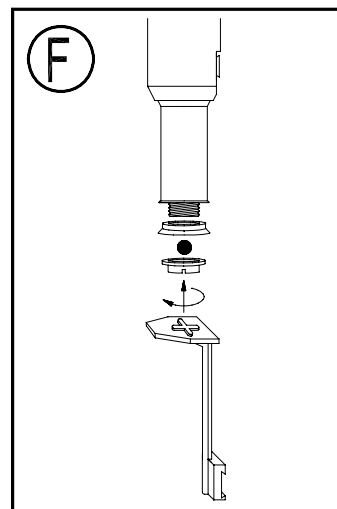
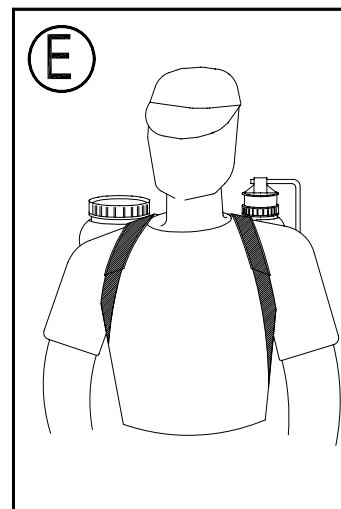
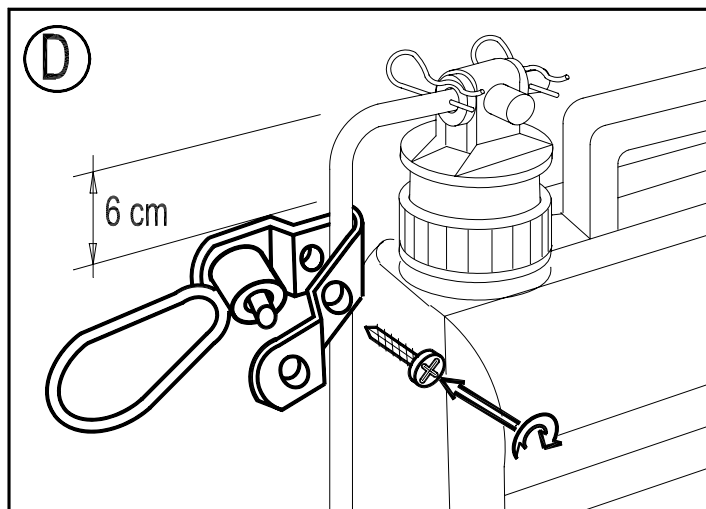
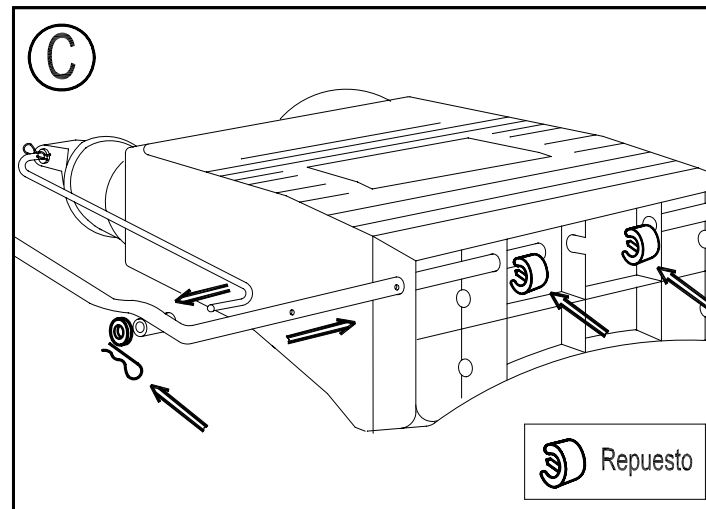
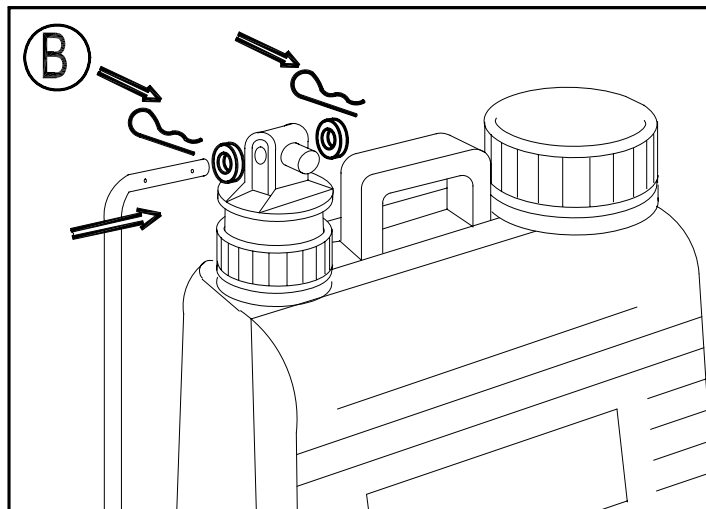
**IMPORTANT:** Strictly follow all warnings and recommendations on the labels for chemical products marked "dangerous" and "poisonous". Comply with the application time and expiration date of each product. Avoid chemical application during extremely hot periods. Use extreme caution when spraying near electrical installations. **Never use alkaline, acids, flammable materials or products which may a fire hazard. This sprayer is intended to be used only with herbicides, insecticides and fungicides for plants. Do not expose chemicals to the sun.** This sprayer must be safety tested annually by experienced personnel. The sprayer hose must be the original from the manufacturer.

### GUARANTEE

Our products are guaranteed for one year from the purchase date against defects in material and workmanship. This warranty is limited to the free replacement of parts recognized as defective by our service department. The warranty does not apply for damage due to improper use, disassembly or modification, nor from normal wear and tear. Warranty does not apply in case of negligence, imprudence and, improper use of the equipment. The user may be required to show a copy of invoice or bill of sale to establish date of purchase..

### SAFETY AND HANDLING STANDARDS

**Storage.** Place the products in a dedicated, well ventilated and locked room out of the reach of children and pets. Store the product in its original packing. Use the same room to store chemical mixing, preparation and application utensils. **Product Preparation.** Verify that the chemical and equipment are not expired and are in good condition. Read and follow the instructions provided in the product labels and manuals. Use proper utensils for mixing and preparing and mark them correctly. After preparation, wash your hands and face. Dispose properly of empty packages and leftover products. **Safe Procedure.** Use suitable protective equipment. Avoid contact with the skin and eyes and do not eat, drink or smoke. Do not apply under windy conditions or against the wind. Avoid any product drifting into adjacent land and crops. Avoid any drift into neighboring springs, rivers, streams, lakes, etc. **After Application.** Destroy empty packaging and bottles by burning or burying them 30 cm deep, away from streams or wells. Thoroughly clean the treatment machinery. Wash yourself and your clothes. **Advice in case of poisoning.** Go to the doctor with the product label or take the affected person to the nearest hospital. Avoid use of home medicines and, in all cases wash the affected skin areas with plenty of fresh water.



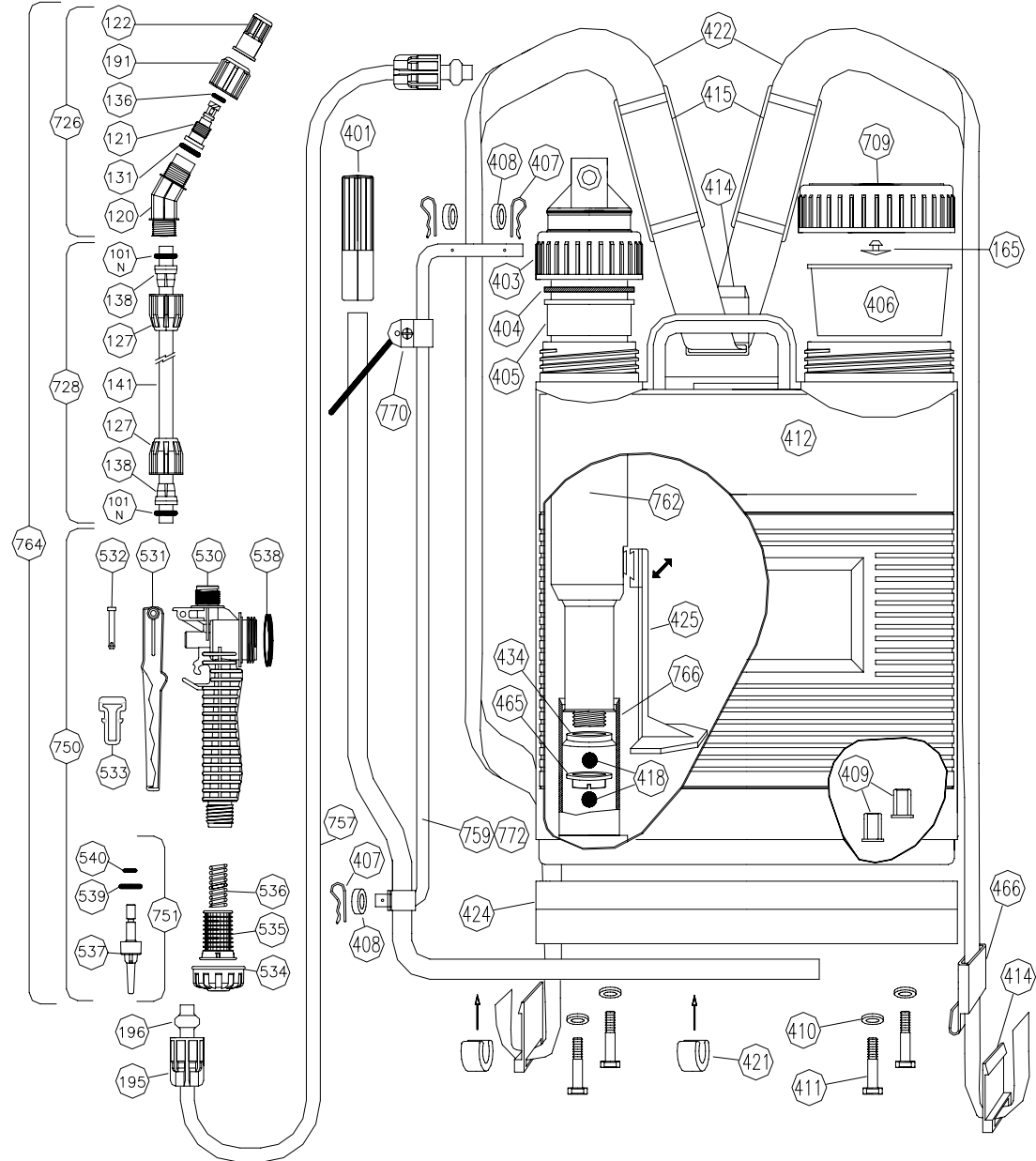
### ACCESSORIES

	RECTANGULAR PROTECTOR BELL WITH HERBICIDE NOZZLE 842628
	20"/ 0.5 M EXTENSION 842622
	40"/ 1.0 M EXTENSION 842621
	60"/1.5 M EXTENSION 842620
	TELESCOPIC LANCE 842625
	QUADRUPLE FRONT NOZZLE 842618
	DOUBLE FIXED NOZZLE 842623
	DOUBLE FLEXIBLE NOZZLE 842633
	DOUBLE EXTENSION NOZZLE 842624
	HERBICIDE ELBOW 842626
	LIME PREPARATION ELBOW 842627

DISTRIBUTED BY:  
Maruyama U.S., Inc.  
3570 Shelby Lane  
Denton, Texas 76207  
940-383-7400 940-383-7466 (Fax)  
Website: www.maruyama-us.com

**PARTS LIST**

101N	842521 AN-8 NITRILE GASKET	409	842581 BASE NUT	536	842549 HANDLE SPRING
120	842523 ELBOW	410	842582 BASE NUT WASHER	537	842550 SHUTTER
121	842524 MIXER VALVER	411	842583 BASE NUT	538	842551 2-121 NITRILE GASKET
122	842525 1mm DIAMETER NOZZLE	412	842522 12 LITER TANK	539	842552 2-109 VITON GASKET
127	842526 CONIC NUT	414	842584 STRAP RING	540	842553 2-107 VITON GASKET
131	842527 16x2 FLAT GASKET	415	842585 SHOULDER	709	842607 TANK COVER WITH VALVE
136N	842528 AN-5 NITRILE GASKET	418	842586 12 mm. DIAMETER BALL	726	842554 ELBOW WITH NOZZLE
138	842529 10mm DIAMETER CONIC	421	842587 BASE BUSHING	728	842555 TUBE WITH NUTS
141	842530 BLACKTUBE LANCE	422	842588 2 M STRAP	750	842558 COMPLETE HANDLE
165N	842570 TANK COVER VALVE	424	842589 TANK BASE	751	842559 COMPLETE SHUTTER
191	842540 NOZZLE NUT	425	842590 AGITATOR	757	842560 COMPLETE HOSE
195	842541 HOSE NUT	434	842591 SYNTHETIC RETAINER	762	842647 CHAMBER ASSY 12L
196	842542 HOSE BUSHING	465	842592 SEALING VALVE	764	842564 COMPLETE LANCE
401	842574 LEVER GRIP	466	842593 STRAP HOOK	766	842616 12 mm BALL CYLINDER
403	842575 CHAMBER NUT LID	530	842543 HANDLE BODY	770	842617 WAND HOLDER (CLAMP)
404	842576 SYNTHETIC GASKETS	531	842544 BUTTON	772	842648 ARM-LEVER SET 12L
405	842577 BUSHING LID	532	842545 BUTTON BOLT	1501	842651 REPAIR KIT (842521, 842528, 842591, 842552, 842553)
406	842578 TANK FILTER	533	842546 HANDLE CLIP		
407	842579 BOLT	534	842547 HANDLE NUT		
408	842580 LEVER WASHER	535	842548 HANDLE FILTER		



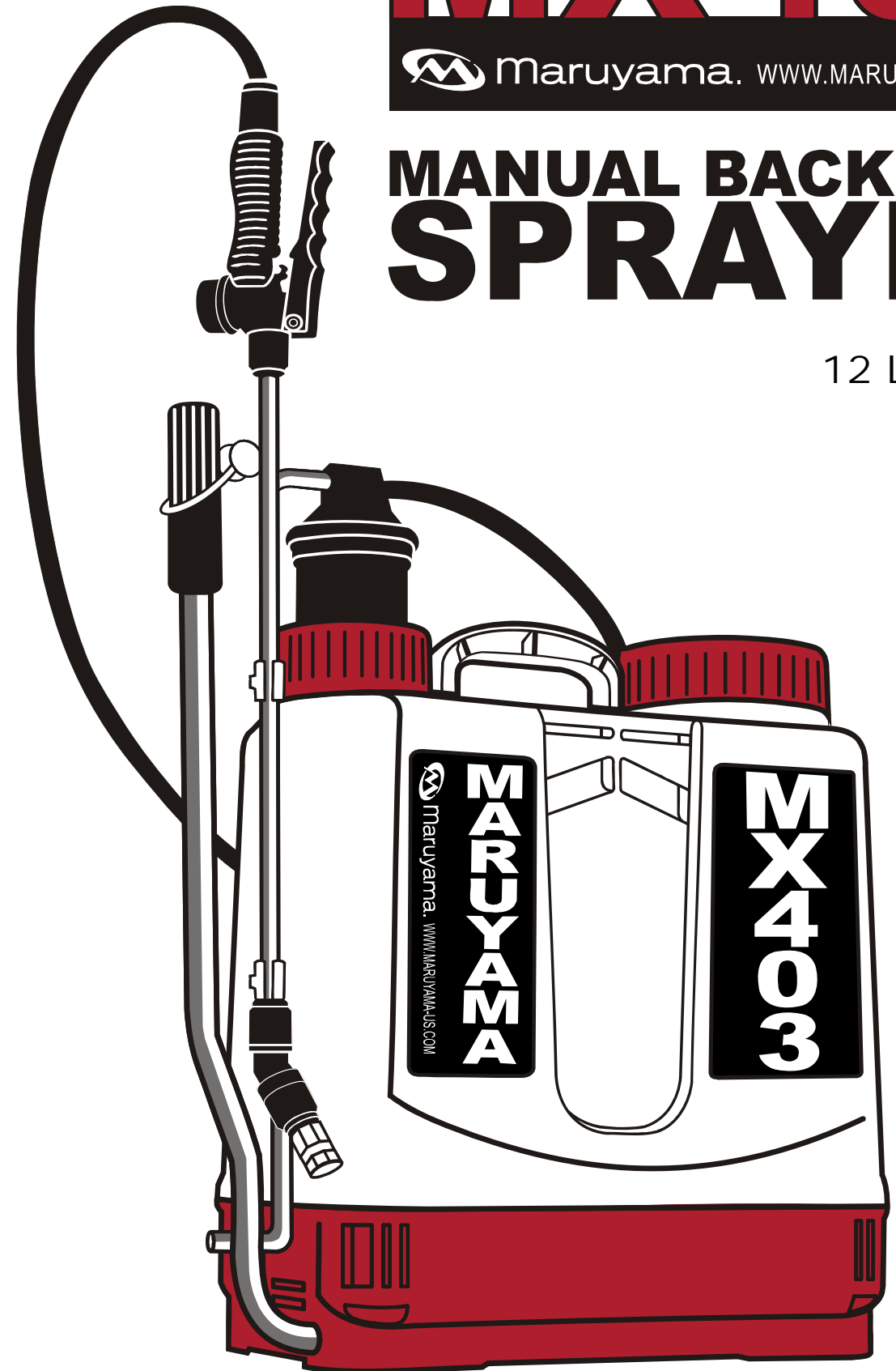
MARUYAMA RESERVES THE RIGHT TO CHANGE PRODUCT SPECIFICATIONS WITHOUT NOTICE.

# MARUYAMA MX403

 Maruyama. [WWW.MARUYAMA-US.COM](http://WWW.MARUYAMA-US.COM)

## MANUAL BACKPACK SPRAYER

12 L / 3 GAL



**READ INSTRUCTIONS THOROUGHLY BEFORE USING**