

Is Your Product Registered?

Contact your Dealer to verify.

Warranties are based on Registrations and reduced to 1 year without
Registration.

ILLUSTRATED PARTS LIST

MODEL MS253 ECKF

FRAME MOUNTED SPRAYER

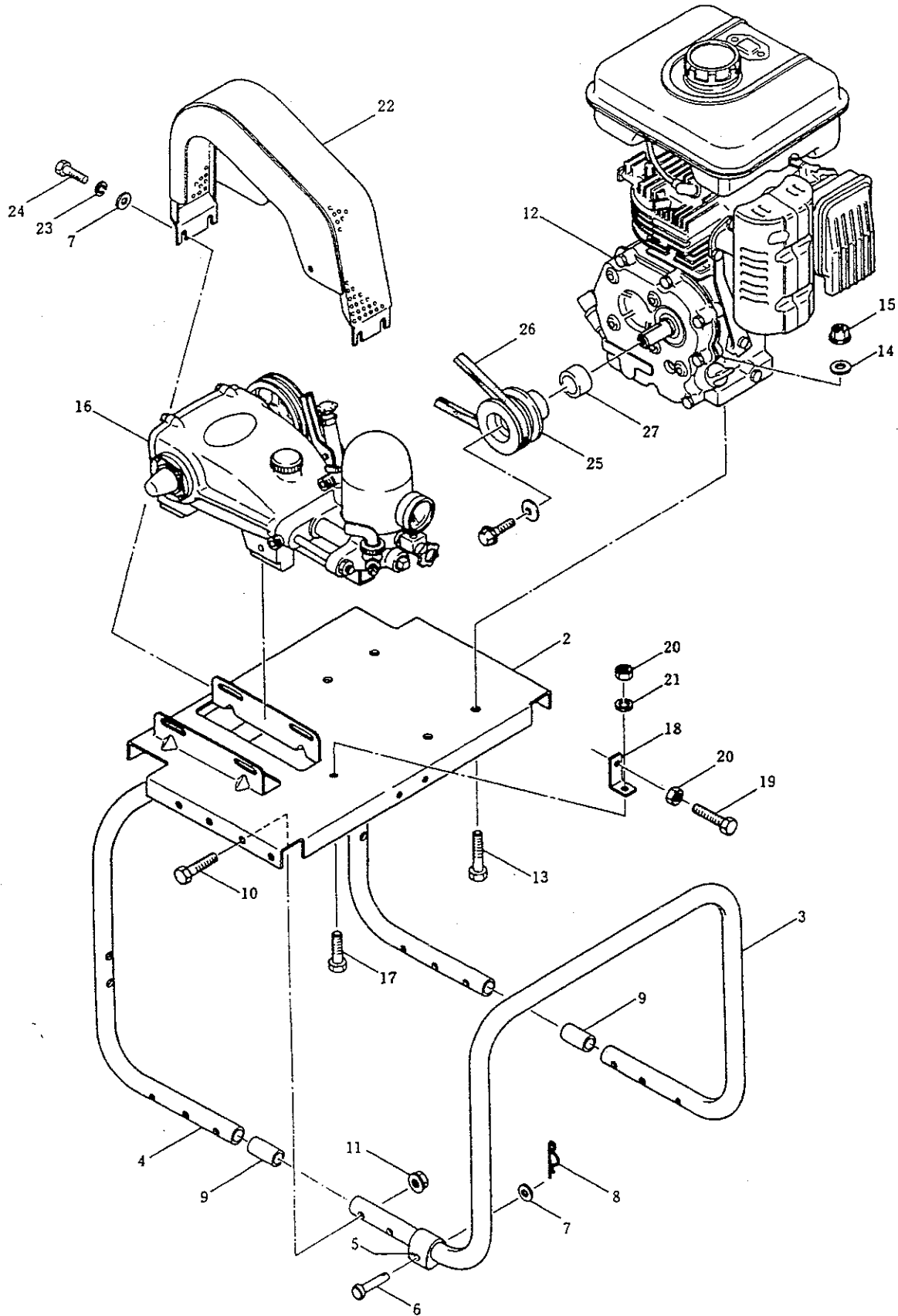
Effective 6-20-93



PARTS LIST

MODEL MS253ECKF

1. FRAME



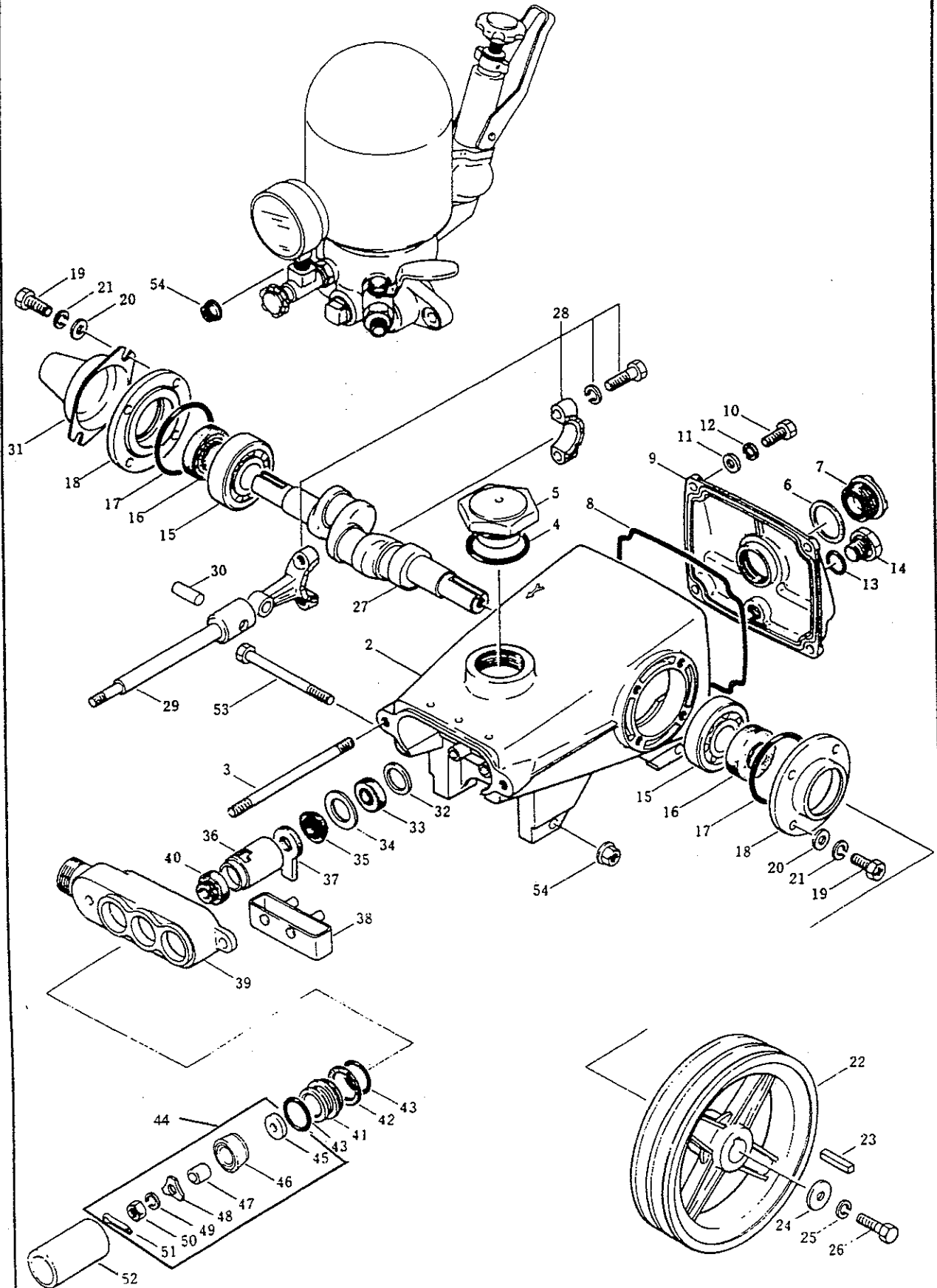
MARUYAMA U.S., INC.

Ref.No.	Parts No.	Parts Name	Q'ty	Ref.No.	Parts No.	Parts Name	Q'ty
1-1	355635	MS253ECKF	1				
1-2	107534	Setting base	1				
1-3	054478	Pump handle (A)	1				
1-4	054479	Pump handle (B)	1				
1-5	054468	Bumper rubber	4				
1-6	054469	Pin	4				
1-7	013754	Washer (M6)	8				
1-8	065049	Snap pin	4				
1-9	054105	Collar (φ17.9Xφ21.7X46L)	2				
1-10	080138	Bolt (M8X40X22)	8				
1-11	101804	Flange nut (M8)	8				
1-12	107578	Engine (FG150)	1				
1-13	080133	Bolt (M8X35X22)	4				
1-14	014065	Washer (M8)	4				
1-15	101804	Flange nut (M8)	4				
1-16	107585	Power Sprayer (MS253)	1				
1-17	080126	Bolt (M8X20)	1				
1-18	054928	Belt tension plate	1				
1-19	080178	Bolt (M8X60)	1				
1-20	081039	Nut (M8)	2				
1-21	015845	Spring washer (M8)	1				
1-22	101653	Belt cover	1				
1-23	012502	Spring washer (M6)	4				
1-24	082098	Bolt (M6X16)	4				
1-25	107535	V-pulley	1				
1-26	028862	V-belt (A24)	1				
1-27	106402	Collar (φ18Xφ27.2X14L)	1				

PARTS LIST

MODEL MS253ECKF

2. POWER SPRAYER



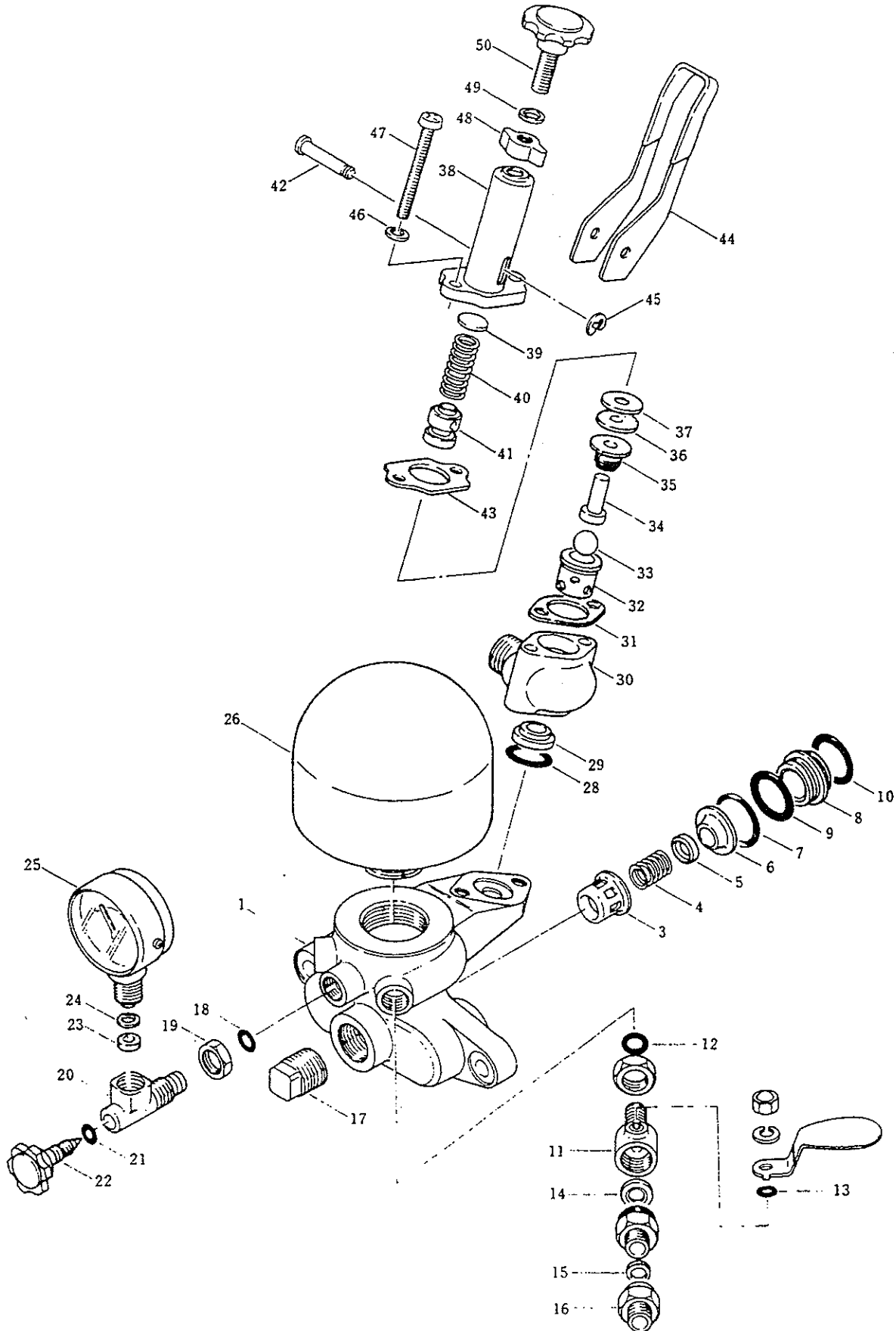
MARUYAMA U.S., INC.

Ref.No.	Parts No.	Parts Name	Q'ty	Ref.No.	Parts No.	Parts Name	Q'ty
2-1	107585	MS253	1	2-41	016957	Pipe receiver	3
2-2	101537	Crankcase	1	2-42	017563	Packing ($\phi 25 \times \phi 28.5 \times t 0.5$)	1
2-3	086686	Stud bolt (M8X125X16X18)	2	2-43	015862	O-ring (P21)	6
2-4	014177	O-ring (P35)	1	2-44	092252	Piston Repair Kit	3
2-5	043211	Oil inlet cap	1	2-45	014122	. Suction valve seat	3
2-6	044428	Packing ($\phi 25 \times \phi 34 \times t 2.5$)	1	2-46	028995	. Piston packing	3
2-7	043987	Oil gauge	1	2-47	027499	. Suction valve collar	3
2-8	044835	O-ring	1	2-48	027500	. Suction valve stopper	3
2-9	101538	Crankcase lid	1	2-49	015849	. Spring washer (M6)	3
2-10	092520	Bolt (M6X20)	4	2-50	081240	. Nut (M6)	3
2-11	012488	. Washer (M6)	4	2-51	014158	. Cotter pin ($\phi 1.6 \times 8L$)	3
2-12	012502	. Spring washer (M6)	4	2-52	022929	Cylinder pipe	3
2-13	023170	O-ring (P12.5)	1	2-53	080275	Bolt (M8X115X30)	2
2-14	025625	Blind plug (PF1/4)	1	2-54	101804	Flange nut (M8)	4
2-15	014487	Bearing (6304)	2				
2-16	024159	Oil seal (D20 40 10)	2				
2-17	026536	O-ring ($\phi 51.8 \times \phi 1.5$)	2				
2-18	026625	Oil seal case	2				
2-19	092519	Bolt (M6X16)	8				
2-20	012488	. Washer (M6)	8				
2-21	012502	. Spring washer	8				
2-22	100837	V-pulley (A X 2" $\phi 152$)	1				
2-23	014543	Key (5X5X25L)	1				
2-24	100836	Washer ($\phi 8.5 \times \phi 30 \times t 3.2$)	1				
2-25	015845	Spring washer (M8)	1				
2-26	080126	Bolt (M8X20)	1				
2-27	103921	Crankshaft	1				
2-28	024139	Connecting rod, ass'y	3				
2-29	103382	Piston	3				
2-30	016948	Piston pin	3				
2-31	025130	Protector	1				
2-32	020017	Washer ($\phi 17 \times \phi 24 \times t 1.2$)	3				
2-33	025461	Oil seal (S10.5 24 7)	3				
2-34	026854	Washer ($\phi 20 \times \phi 28 \times t 1.2$)	3				
2-35	026853	Packing	3				
2-36	027710	Seal packing retainer	3				
2-37	027711	Felt packing	3				
2-38	027712	Oil pan	1				
2-39	027713	Cylinder receiver	1				
2-40	100015	Seal packing	3				

PARTS LIST

MODEL MS253ECKF

3. PRESSURE REGULATOR



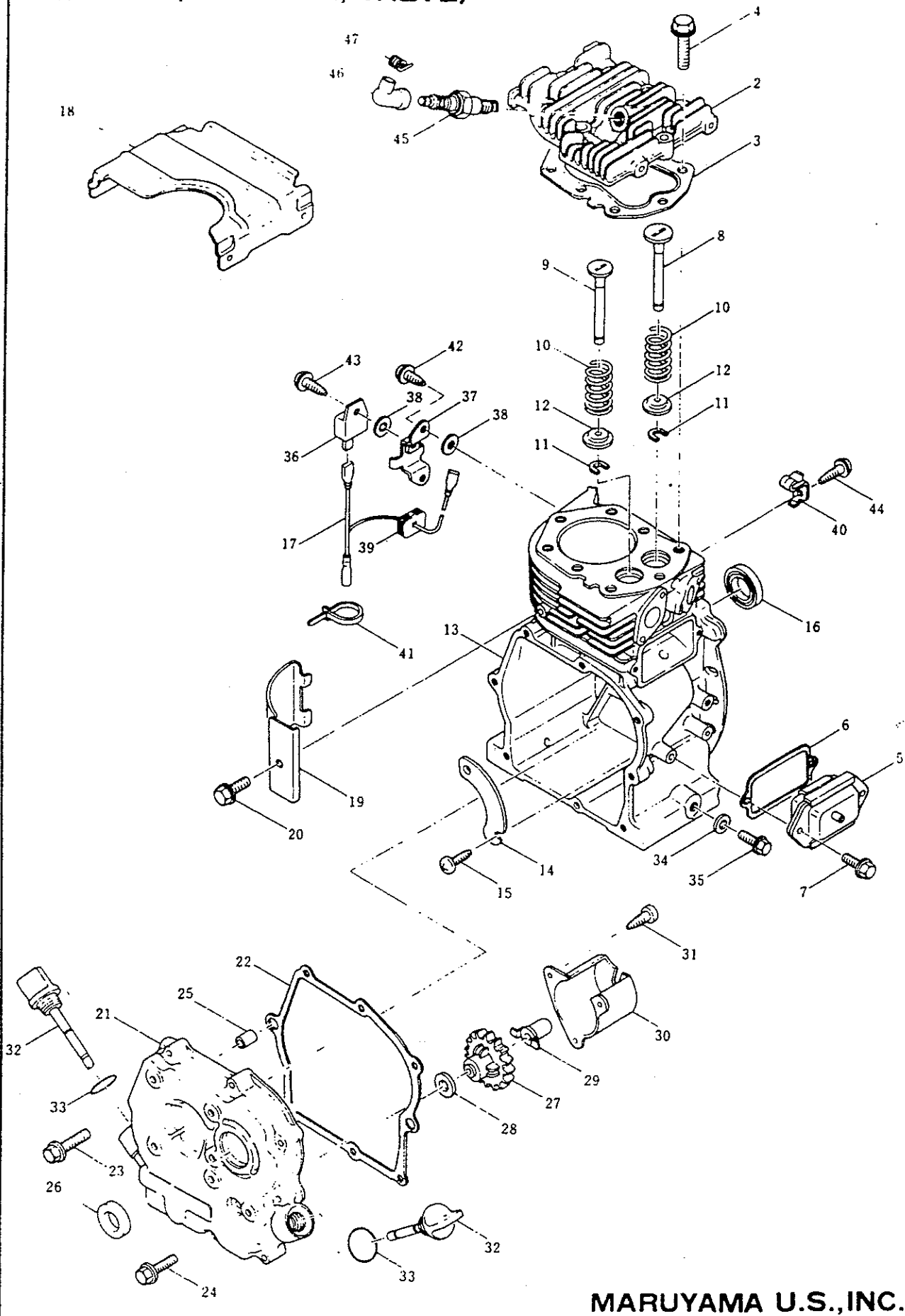
MARUYAMA U.S., INC.

Ref.No.	Parts No.	Parts Name	Q'ty	Ref.No.	Parts No.	Parts Name	Q'ty
3-1	100163	Discharge manifold	1	3-41	022937	. Pressure regulator valve spring retainer	1
3-2	106115	Discharge valve, ass'y	1	3-42	025951	. Pressure regulator valve spring retainer knock	1
3-3	022841	. Discharge valve sack	3	3-43	022940	. Pressure regulator valve washer	1
3-4	022031	. Discharge valve spring	3	3-44	022939	. Pressure regulator valve handle	1
3-5	022842	. Discharge valve	3	3-45	020299	. E-shaped snap ring	1
3-6	105820	. Discharge valve seat	3	3-46	012502	. Spring washer (M6)	2
3-7	103575	O-ring ($\phi 23 \times \phi 1.5$)	3	3-47	081463	. Screw (M6X55)	2
3-8	022931	Pipe receiver	3	3-48	024988	. Pressure regulator valve knob stopper	1
3-9	023172	O-ring (P22)	3	3-49	022902	. Washer ($\phi 85 \times \phi 13 \times t1$)	4~7
3-10	015862	O-ring (P21)	3	3-50	029488	. Pressure regulator knob	1
3-11	100154	Cock, ass'y (PF1/4)	2				
3-12	022056	. O-ring (P7)	2				
3-13	014187	. O-ring (P4)	2				
3-14	100158	. Ball valve seat	4				
3-15	013995	Packing ($\phi 8 \times \phi 13.5 \times t1.5$)	2				
3-16	023505	Extension (PF1/4XSW13.8)	2				
3-17	106181	Plug (PT1/2)	1				
3-18	022056	O-ring (P7)	1				
3-19	101394	Nut (PF1/4)	1				
3-20	027478	Pressure gauge protector	1				
3-21	011341	O-ring ($\phi 3 \times \phi 7 \times \phi 2$)	1				
3-22	027441	Needle valve	1				
3-23	011241	Packing ($\phi 5 \times \phi 11 \times t1.5$)	1				
3-24	015453	Washer ($\phi 5 \times \phi 11 \times t0.5$)	2~3				
3-25	029561	Pressure gauge (ANT1/4 X $\phi 50 \times 50 \text{kgf/cm}^2$)	1				
3-26	100162	Air chamber	1				
3-27	022933	Pressure regulator valve, ass'y	1				
3-28	014179	. O-ring (P20)	1				
3-29	020971	. Pressure regulator valve seat	1				
3-30	023485	. Pressure regulator valve body	1				
3-31	017019	. Pressure regulator valve body packing	1				
3-32	012256	. Pressure regulator valve sack	1				
3-33	107238	. Valve ball ($\phi 12.7$)	1				
3-34	016975	. Pressure regulator valve rod	1				
3-35	011451	. Pressure regulator valve bellows	1				
3-36	016972	. Pressure regulator valve bellows packing	1				
3-37	012255	. Pressure regulator valve bellows washer	1				
3-38	022936	. Pressure regulator valve spring case	1				
3-39	019917	. Pressure regulator valve spring seat	1				
3-40	012249	. Pressure regulator valve spring	1				

PARTS LIST

MODEL MS253ECKF

4. ENGINE (CYLINDER, VALVE)



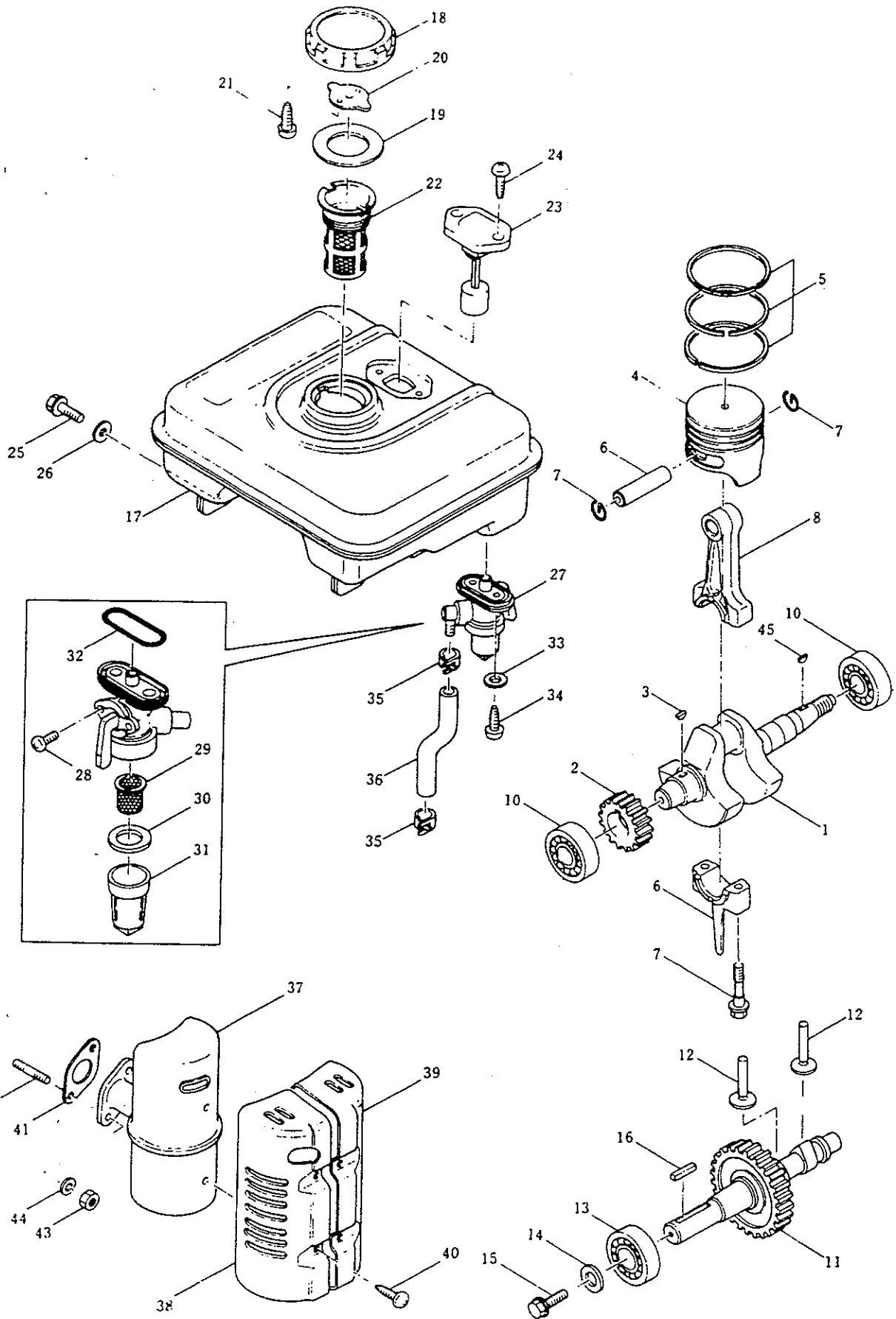
MARUYAMA U.S., INC.

Ref.No.	Parts No.	Parts Name	Q'ty	Ref.No.	Parts No.	Parts Name	Q'ty
4-1	107578	Engine (FG150)	1	4-41	944571	Band	1
4-2	944850	Head, cylinder	1	4-42	944881	Screw	2
4-3	944851	Gasket, head	1	4-43	944882	Screw	1
4-4	944852	Bolt	8	4-44	944418	Screw	1
4-5	944853	Cover, inspection	1	4-45	944883	Plug, spark (BP4HS)	1
4-6	071888	Gasket	1	4-46	944884	Cap, plug	1
4-7	944854	Bolt	2	4-47	944885	Spring	1
4-8	944855	Valve, inlet	1				
4-9	944856	Valve, exhaust	1				
4-10	944857	Spring, valve	2				
4-11	071936	Collet	2				
4-12	071937	Seat, spring	2				
4-13	944858	Crank case	1				
4-14	944859	Plate	1				
4-15	944860	Screw	2				
4-16	071884	Seal, oil	1				
4-17	944861	Wire, lead	1				
4-18	944862	Cover, cylinder head	1				
4-19	944863	Cover, cylinder	1				
4-20	944854	Bolt	1				
4-21	944864	Side base	1				
4-22	944865	Gasket	1				
4-23	944866	Bolt	2				
4-24	944867	Bolt	6				
4-25	944868	Pin, dowel	2				
4-26	071884	Seal, oil	1				
4-27	944869	Governor	1				
4-28	944870	Washer	1				
4-29	944871	Sleeve, governor	1				
4-30	944872	Cover	1				
4-31	944556	Screw	3				
4-32	944873	Gauge, oil	2				
4-33	944874	O-ring	2				
4-34	944875	Gasket	2				
4-35	944876	Bolt	2				
4-36	944603	Igniter	1				
4-37	944877	Bracket	1				
4-38	944878	Washer	3				
4-39	944879	Grommet	1				
4-40	944880	Clamp	1				

PARTS LIST

MODEL MS253ECKF

5. ENGINE (CRANKSHAFT, PISTON, TANK, MUFFLER)



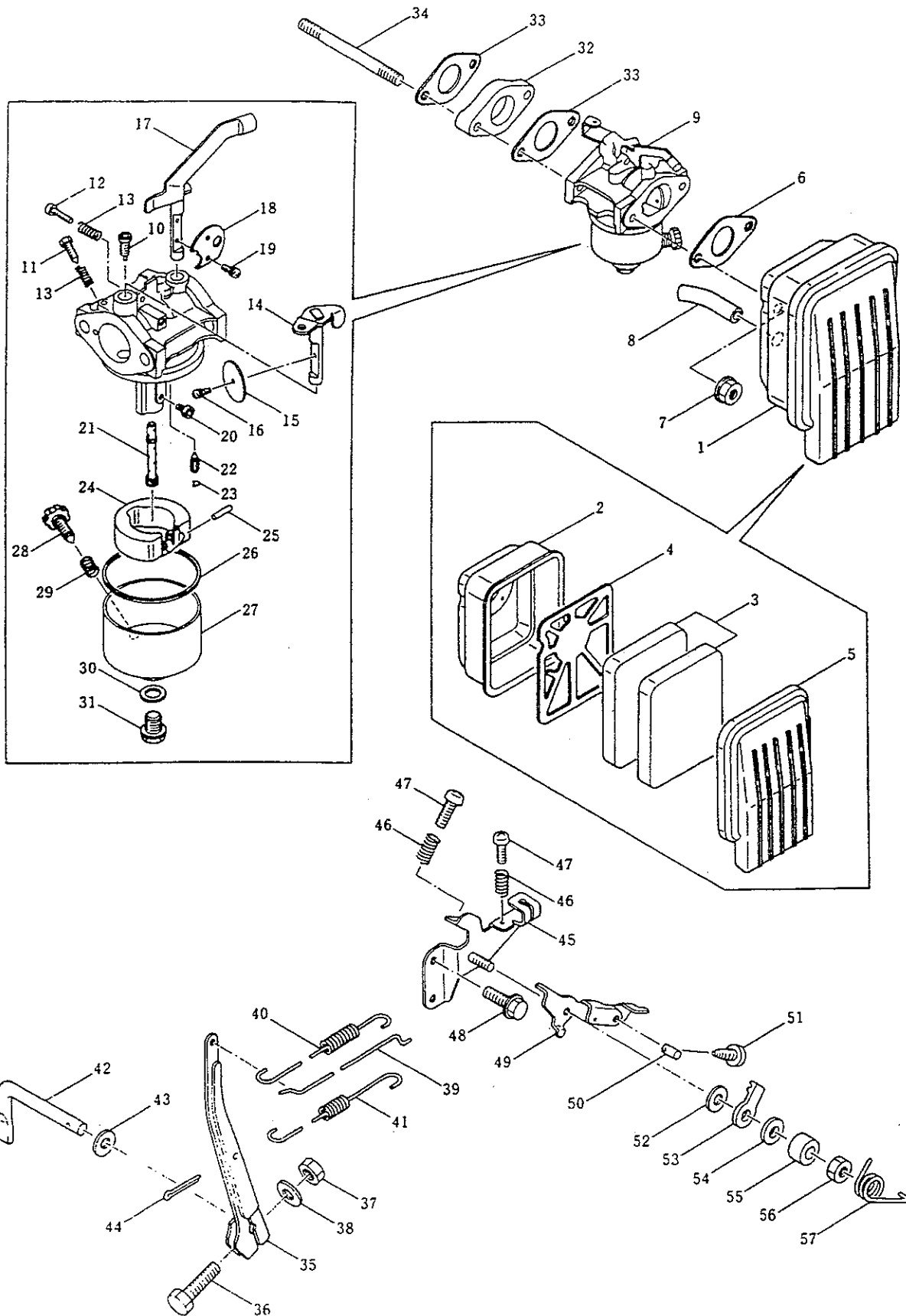
MARUYAMA U.S., INC.

Ref.No.	Parts No.	Parts Name	Q'ty	Ref.No.	Parts No.	Parts Name	Q'ty
5-1	944916	Crankshaft, ass'y	1	5-41	071878	Gasket	1
5-2	944886	. Gear, crank	1	5-42	944914	Stud	2
5-3	071919	. Key	1	5-43	944915	Nut	2
5-4	944887	Piston	1	5-44	901545	Washer, spring	2
5-5	944888	Piston ring set	1	5-45	071919	Key	1
5-6	944889	Pin, piston	1				
5-7	071914	Ring, snap	2				
5-8	944890	Connecting rod ass'y	1				
5-9	944891	. Bolt, connecting rod	2				
5-10	071896	Bearing, ball (6204)	2				
5-11	944892	Cam gear ass'y	1				
5-12	071935	Tappet	2				
5-13	071896	Bearing, ball (6204)	1				
5-14	071932	Washer	1				
5-15	944893	Bolt	1				
5-16	071931	Key	1				
5-17	944894	Fuel tank, ass'y	1				
5-18	944895	. Tank cap, ass'y	1				
5-19	944896	. . Gasket	1				
5-20	944897	. . Spring	1				
5-21	944898	. . Screw	2				
5-22	944899	. Strainer, fuel	1				
5-23	944900	. Gauge, fuel	1				
5-24	944901	. Screw	2				
5-25	944902	Bolt	4				
5-26	944442	Washer	4				
5-27	944903	Filter, ass'y	1				
5-28	944904	. Screw	2				
5-29	944905	. Strainer	1				
5-30	944906	. Gasket	1				
5-31	944907	. Pot, filter	1				
5-32	944908	. O-ring	1				
5-33	944878	Washer	2				
5-34	944901	Screw	2				
5-35	944909	Clip	2				
5-36	944910	Tube	1				
5-37	944911	Muffler, ass'y	1				
5-38	944912	. Cover, muffler	1				
5-39	944913	. Cover, muffler	1				
5-40	944860	. Screw	4				

PARTS LIST

MODEL MS253ECKF

6. ENGINE (CARBURETOR, AIR CLEANER)



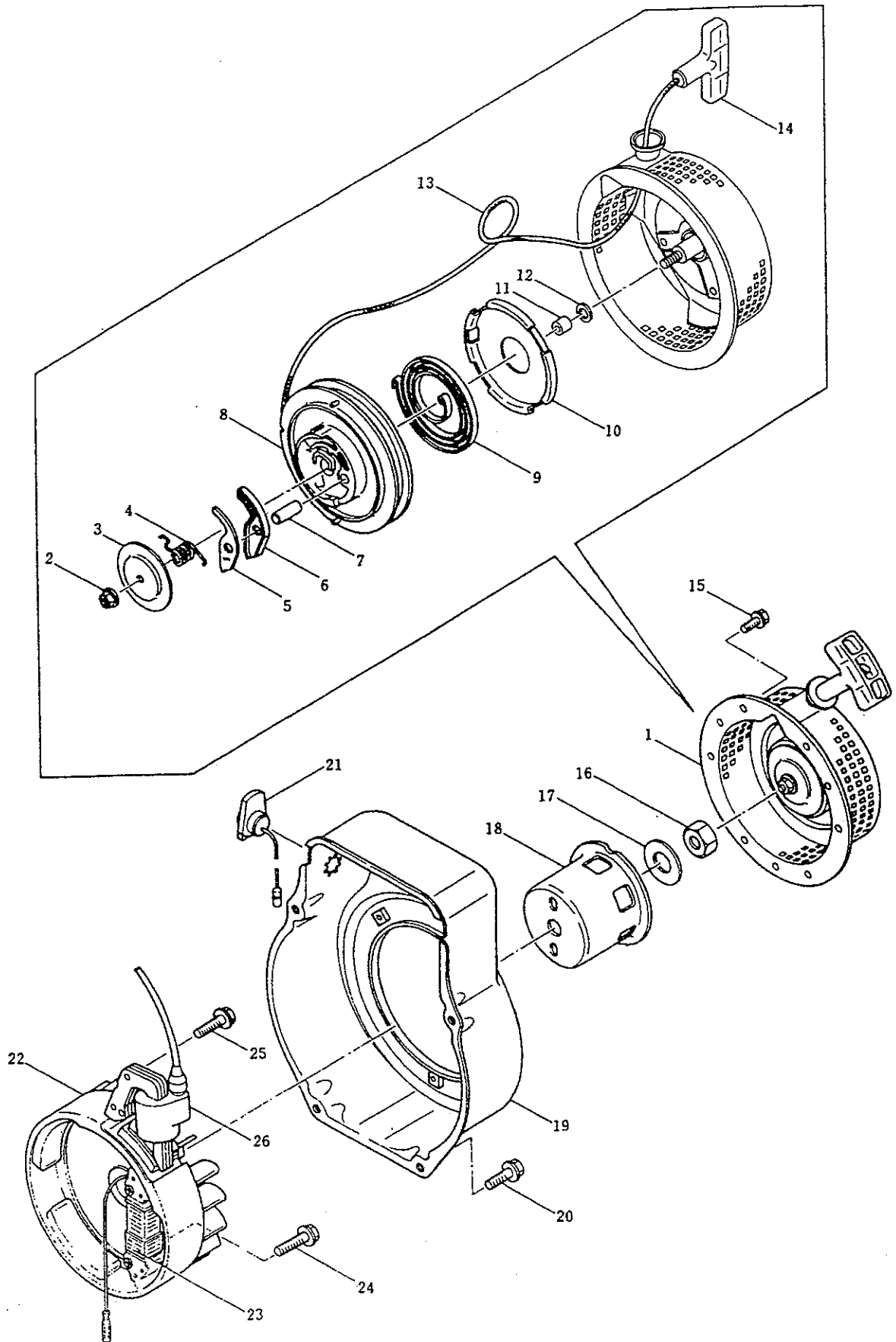
MARUYAMA U.S., INC.

Ref.No.	Parts No.	Parts Name	Q'ty	Ref.No.	Parts No.	Parts Name	Q'ty
6-1	944917	Air cleaner, ass'y	1	6-41	944953	Spring, governor	1
6-2	944918	. Case, air cleaner	1	6-42	944954	Tip, governor	1
6-3	944919	. Element	2	6-43	071120	Washer	1
6-4	944920	. Plate	1	6-44	944955	Pin snap	1
6-5	944921	. Cover, air cleaner	1	6-45	944956	Bracket	1
6-6	944922	Gasket	1	6-46	944957	Spring	2
6-7	944923	Nut	2	6-47	944958	Screw	2
6-8	944924	Tube, rubber	1	6-48	944854	Bolt	2
6-9	944925	Carburator, ass'y	1	6-49	944959	Lever, control	1
6-10	944926	. Jet, pilot	1	6-50	944960	Nut	1
6-11	944927	. Screw, pilot	1	6-51	943572	Screw	1
6-12	943573	. Screw, stop	1	6-52	944961	Washer	1
6-13	944928	. Spring	2	6-53	944962	Plate	1
6-14	944929	. Shaft, throttle	1	6-54	944963	Spring	1
6-15	944930	. Valve, throttle	1	6-55	944964	Collar	1
6-16	944931	. Screw	1	6-56	944965	Nut	1
6-17	944932	. Shaft, choke	1	6-57	944966	Spring	1
6-18	944933	. Valve, choke	1				
6-19	944934	. Screw	2				
6-20	944935	. Jet, Main	1				
6-21	944936	. Nozzle, main	1				
6-22	944937	. Valve, needle	1				
6-23	944938	. Clip	1				
6-24	944939	. Float	1				
6-25	944940	. Pin, float	1				
6-26	944941	. Gasket	1				
6-27	944942	. Chamber, float	1				
6-28	944943	. . Screw, drain	1				
6-29	944944	. . Spring	1				
6-30	944945	. Gasket	1				
6-31	944946	. Bolt	1				
6-32	944947	Insulator	1				
6-33	944948	Gasket	2				
6-34	944949	Stud	2				
6-35	944950	Arm, governor	1				
6-36	944951	Bolt	1				
6-37	943863	Nut	1				
6-38	944442	Washer	1				
6-39	944952	Link, governor	1				
6-40	071975	Spring, link	1				

PARTS LIST

MODEL MS253ECKF

7. ENGINE (FAN COVER, MAGNETO, STARTER)



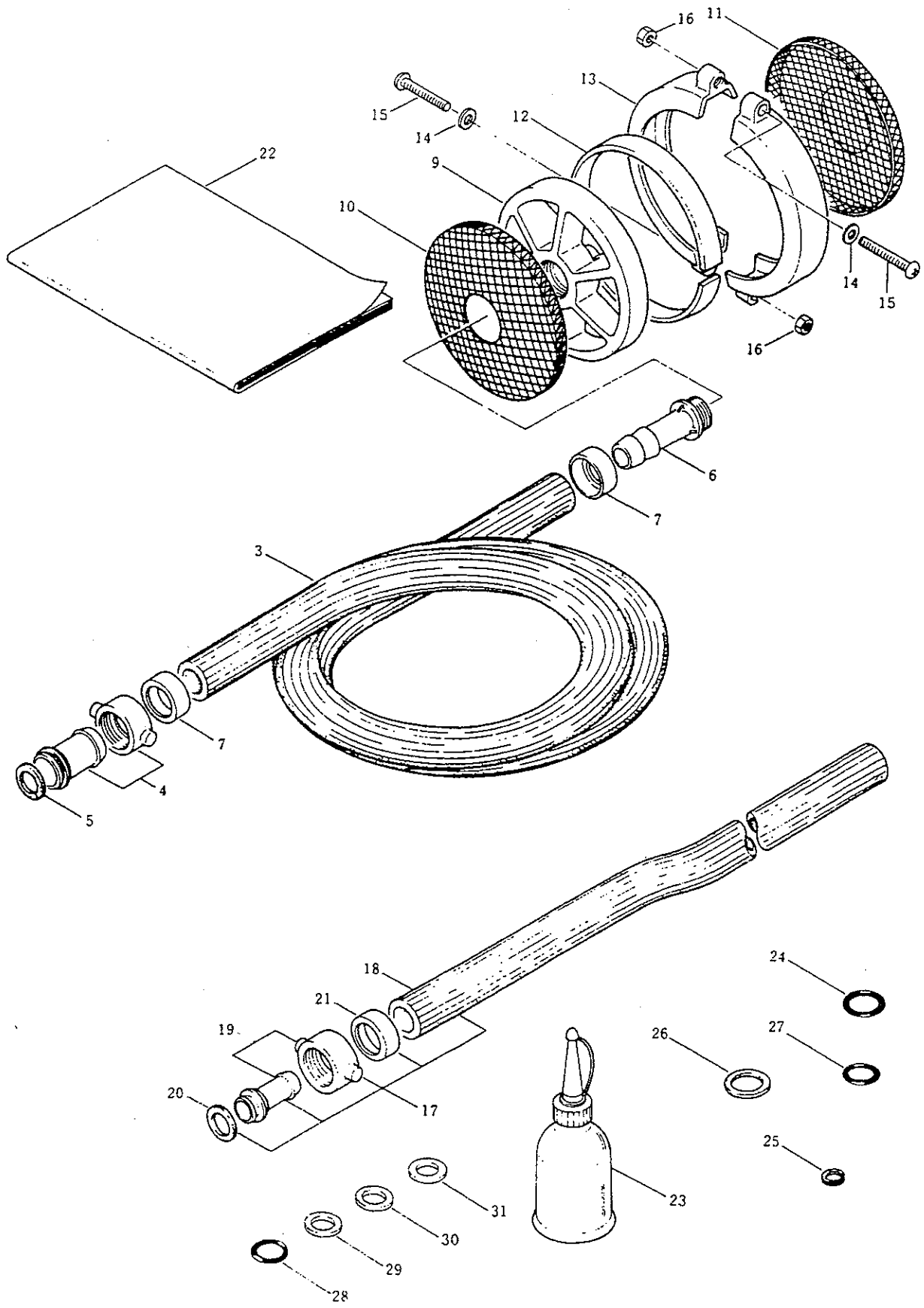
MARUYAMA U.S., INC.

Ref. No.	Parts No.	Parts Name	Q'ty	Ref. No.	Parts No.	Parts Name	Q'ty
7-1	944967	Recoil starter, ass'y	1				
7-2	944968	. Nut	1				
7-3	944969	. Cover, retainer	1				
7-4	944970	. Spring	1				
7-5	944971	. Pawl, recoil	1				
7-6	944972	. Pawl, recoil	1				
7-7	944973	. Pin	1				
7-8	944974	. Reel, recoil	1				
7-9	944975	. Spring, recoil	1				
7-10	944976	. Case, spring	1				
7-11	944977	. Washer	1				
7-12	944978	. Washer, thrust	1				
7-13	944979	. Rope	1				
7-14	944980	. Handle, recoil starter	1				
7-15	944981	Bolt	3				
7-16	944982	Nut	1				
7-17	944983	Washer	1				
7-18	944984	Pulley	1				
7-19	944985	Case, spiral	1				
7-20	944981	Bolt	4				
7-21	944986	Switch, stop	1				
7-22	944987	Flywheel	1				
7-23	944988	Coil, lighting	1				
7-24	944989	Bolt	2				
7-25	944990	Bolt	2				
7-26	944991	Coil, ignition	1				

PARTS LIST

MODEL MS253ECKF

8. ACCESSORIES



MARUYAMA U.S., INC.

Ref.No.	Parts No.	Parts Name	Q'ty	Ref.No.	Parts No.	Parts Name	Q'ty
8-1	106633	Suction hose, ass'y	1				
8-2	105936	. Hose, ass'y	1				
8-3	103571	.. Hose (φ19X1BX3000L)	1				
8-4	098010	.. Hose coupling (PF3/4)	1				
8-5	103686	.. Packing (φ18.5Xφ24Xt2)	1				
8-6	105937	.. Hose coupling (PF1)	1				
8-7	103204	.. Cap	2				
8-8	105930	. Suction strainer, ass'y	1				
8-9	105931	.. Strainer body	1				
8-10	105933	.. Strainer net (upper)	1				
8-11	105934	.. Strainer net (lower)	1				
8-12	105935	.. Weight	1				
8-13	105932	.. Strainer ring	2				
8-14	089717	.. Washer (M4)	2				
8-15	087320	.. Screw (M4X20)	2				
8-16	081166	.. Nut (M4)	2				
8-17	104344	Discharge hose, ass'y	1				
8-18	104345	. Hose (φ13X3000L)	1				
8-19	098009	. Hose coupling (PF1/2)	1				
8-20	103685	. Packing (φ12Xφ18.5Xt1.5)	1				
8-21	104342	. Cap	1				
8-22	107589	Instruction manual	1				
8-23	015773	Oiler	1				
8-24	023172	O-ring (P22)	3				
8-25	103685	Packing (φ12Xφ18.5Xt1.5)	2				
8-26	103686	Packing (φ18Xφ24Xt2)	2				
8-27	015862	O-ring (P21)	3				
8-28	011341	O-ring (φ3Xφ7Xφ2)	2				
8-29	011111	Packing (φ7.5Xφ11.5Xt1.5)	2				
8-30	011117	Packing (φ11.5Xφ16.5Xt1.5)	2				
8-31	017563	Packing (φ25Xφ28.5Xt0.5)	1				



Maruyama U.S., Inc.
3570 Shelby Lane
Denton, TX 76207
940-383-7400 voice
940-383-7466 fax

www.maruyama-us.com