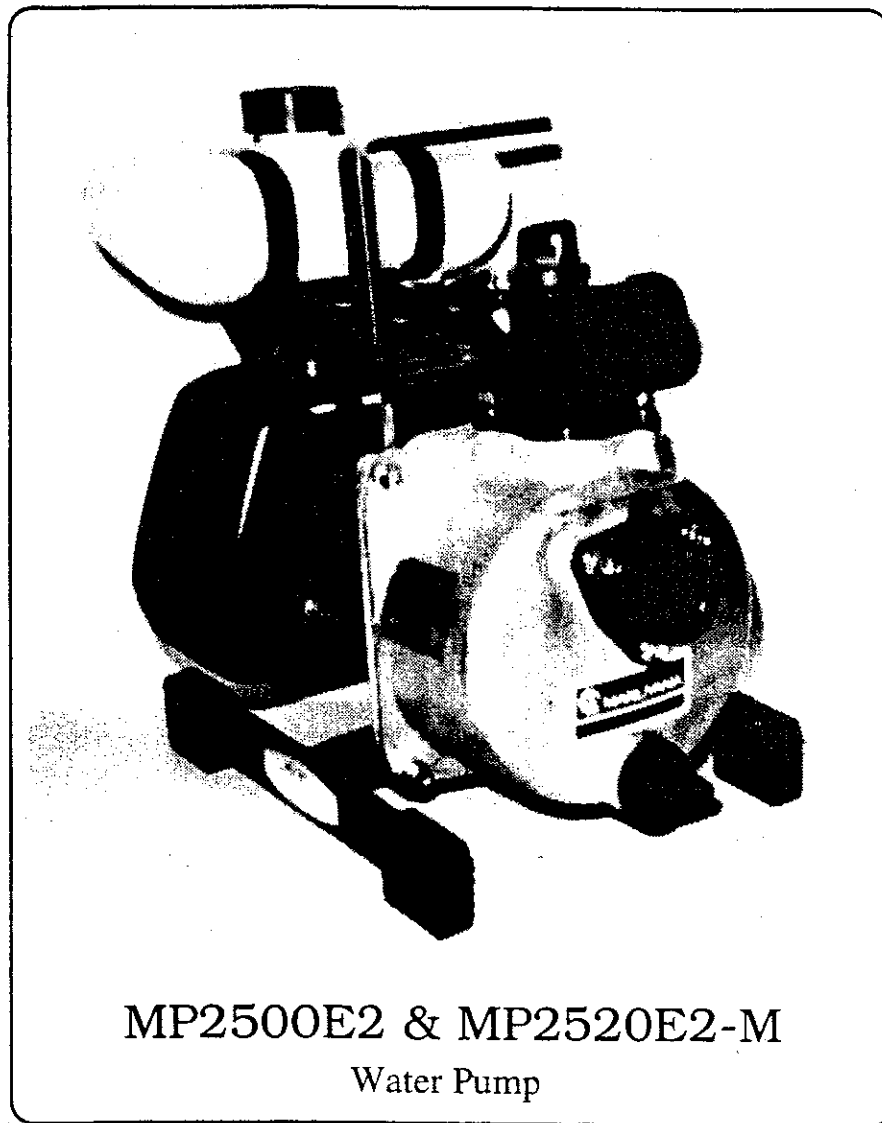




Manufacturing quality equipment since 1895.

ILLUSTRATED PARTS LIST

Models MP2500E2 & MP2520E2-M

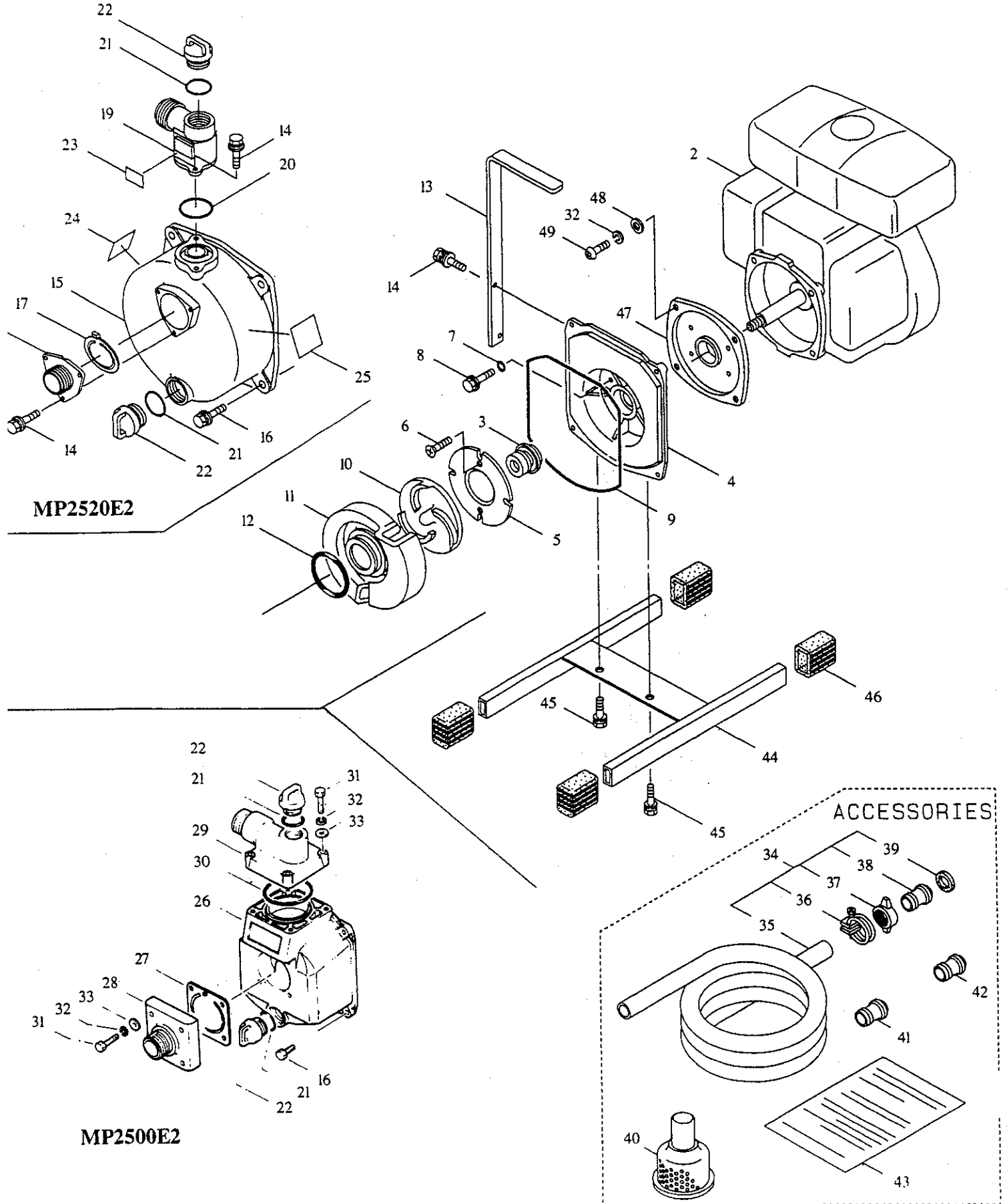


MP2500E2 & MP2520E2-M

Water Pump

MODEL MP 2500E2 & MP2520E2-M

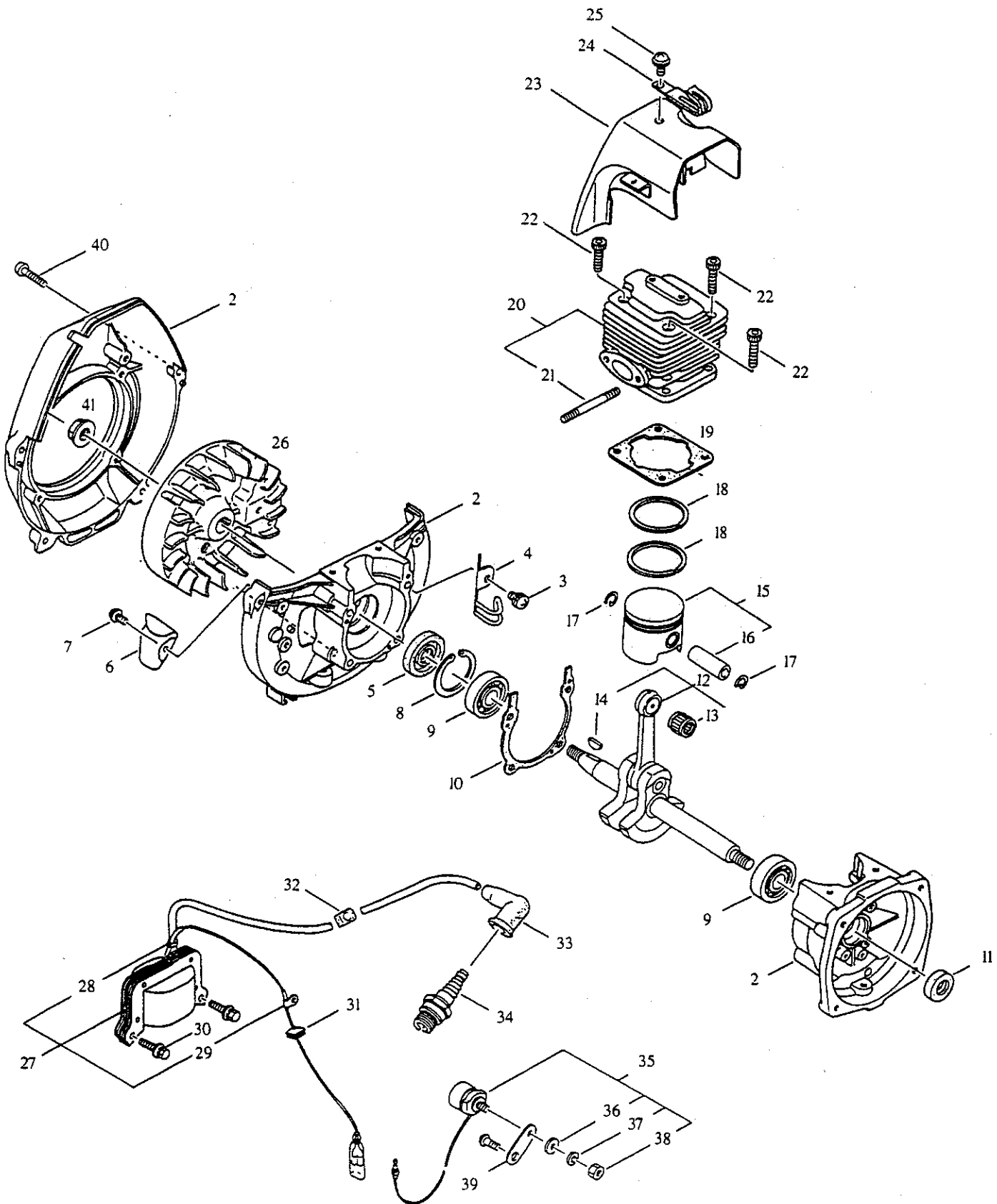
MAIN PUMP BODY & ACCESSORIES



Ref. No.	Part No.	Description	Qty	Remarks
1-1	332045	MP250E2-M		
	332134	MP2500E2		
1-2	240116	Engine	1	T170PZ
1-3	240002	Mechanical Seal	1	
1-4	240003	Case Cover - MP 2500E2	1	
	240658	Case Cover - MP2520E2-M	1	
1-5	240654	Plate - MP 2520E2-M only	1	
1-6	081709	Screw - MP2520E2-M only	2	
1-7	013918	O-ring	4	
1-8	089720	Bolt	4	
1-9	014070	O-ring	1	S150
1-10	240004	Impeller	1	
1-11	240005	Scroll	1	
1-12	027533	O-ring	1	P42
1-13	240379	Handle	1	
1-14	092519	Bolt	7	M6 x 16 WSW
1-15	240652	Casing - MP2520E2-M	1	
1-16	092520	Bolt	4	M6 X 20 WSW
1-17	240554	Check Valve - MP2520E2-M	1	
1-18	240553	Inlet Port - MP2520E2-M	1	
1-19	240556	Outlet Port - MP2520E2-M	1	
1-20	014178	O-ring	1	G35
1-21	020285	O-ring	2	P24
1-22	240012	Plug	2	M24
1-23	240368	Label	1	MARUYAMA
1-24	240019	Label	1	
1-25	240659	Label	1	MP2520E2
1-26	240006	Casing - MP2500E2	1	
1-27	240009	Check Valve - MP2500E2	1	
1-28	240102	Inlet Port - MP2500E2	1	
1-29	240103	Outlet Port - MP2500E2	1	
1-30	015856	O-ring	1	G55
1-31	082106	Bolt	8	
1-32	012502	Spring Washer	14	M6
1-33	012488	Washer	14	M6
1-34	240031	Suction Hose Assy.	1	Incl.
1-35	240027	• Hose	1	025 X 3m
1-36	240030	• Hose Clamp	3	
1-37	240028	• Hose Coupling - Female	2	PF1
1-38	240029	• Hose Coupling - Insert	2	
1-39	021685	• Packing	2	023 X 029 X 12
1-40	240564	Strainer	1	
1-41	240101	Hose Coupling	1	3/4
1-42	240568	Hose Coupling	1	5/8
1-43	240724	Instruction Manual	1	
1-44	240723	Pump Base - MP2520E2-M	1	
	240109	Pump Base - MP2500E21		
1-45	092513	Bolt - MP2520E2-M	2	M8 X 16
	081455	Screw - MP2500E2	3	M6 X 16
1-46	240017	Cushion Pads	4	
1-47	240117	Adapter	1	
1-48	013754	Washer	4	
1-49	081455	Screw	4	

MODEL MP 2500E2 & MP2520E2-M

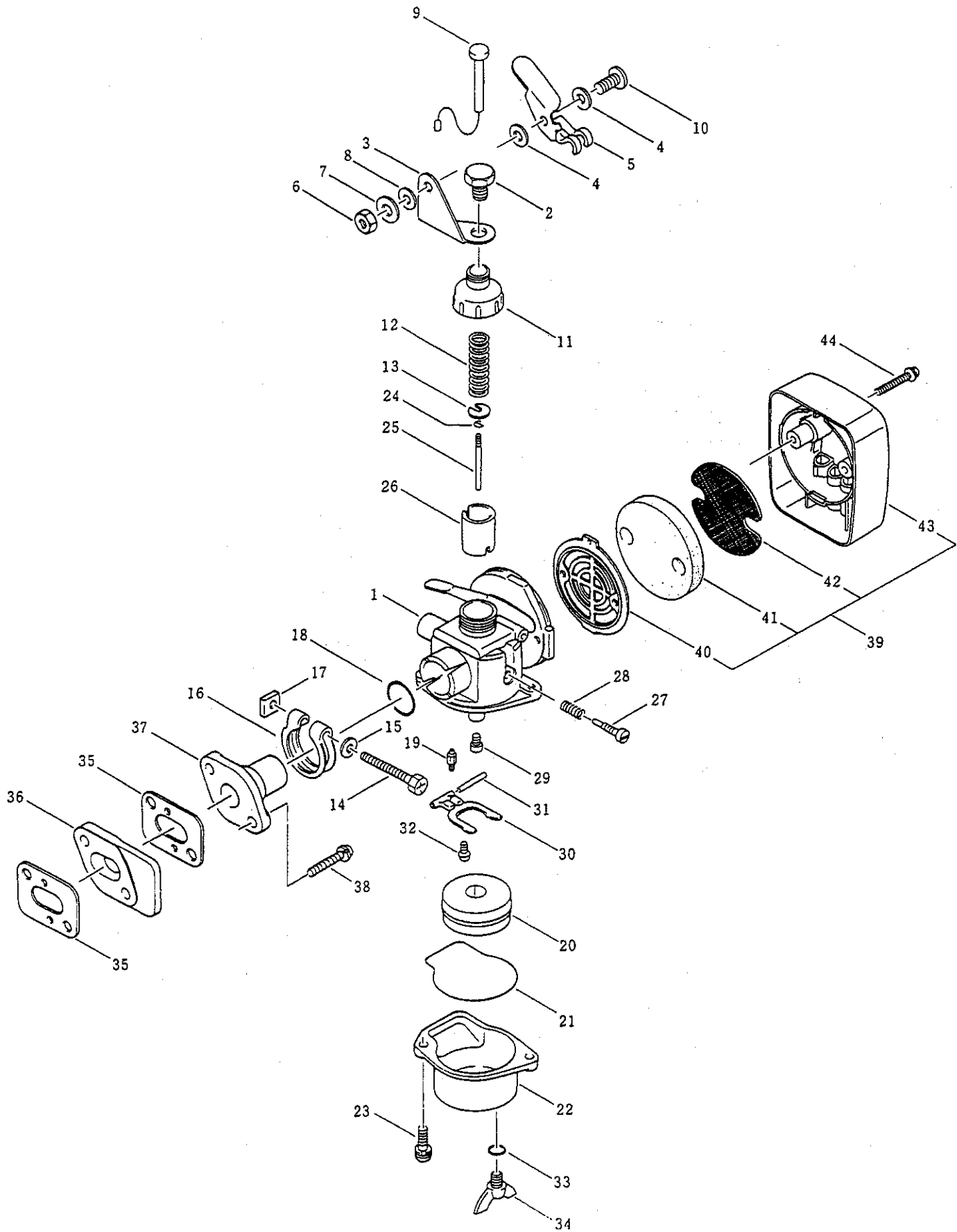
2. CRANKCASE & IGNITION



Ref. No.	Part No.	Description	Qty	Remarks
2- 1	240116	Engine	1	T170PZ
2- 2	998561	Crankcase Assy.	1	
2- 3	972891	Screw	1	
2- 4	977503	Clamp	1	
2- 5	972843	Oil Seal	1	
2- 6	996202	Plate	1	
2- 7	996839	Screw	1	
2- 8	912607	Snap Ring	1	
2- 9	912608	Ball Bearing	2	
2-10	977501	Gasket	1	
2-11	912612	Oil Seal	1	TC12 22 7
2-12	996199	Crankshaft Assy.	1	Incl. 13. 14
2-13	977459	Needle Bearing	1	
2-14	972897	Key	1	
2-15	977460	Piston Assy.	1	Incl. 16
2-16	977461	Piston Pin	1	
2-17	912616	Piston Pin Clip	2	
2-18	977462	Piston Ring	2	
2-19	977502	Gasket	1	
2-20	996840	Cylinder Assy.	1	Incl. 21
2-21	991147	Stud Bolt	2	
2-22	977435	Bolt	4	
2-23	977470	Cylinder Cover	1	
2-24	977443	Clamp	1	
2-25	971821	Screw	1	
2-26	996201	Flywheel	1	
2-27	577286	Ignition Coil	1	Incl. 28. 29
2-28	260045	Tie Band	1	
2-29	977520	Clip	1	
2-30	977301	Bolt	2	
2-31	912618	Grommet	1	
2-32	972870	Grommet	1	
2-33	977306	Spark Plug Boot	1	
2-34	910519	Spark Plug	1	NGK BM6A
2-35	998562	Stop Switch Assy.	1	Incl. 36 - 38
2-36	990131	Washer	1	
2-37	912633	Spring Washer	1	
2-38	993951	Nut	1	
2-39	972421	Bracket	1	
2-40	912610	Screw	4	
2-41	990136	Nut	1	

MODEL MP 2500E2 & MP2520E2-M

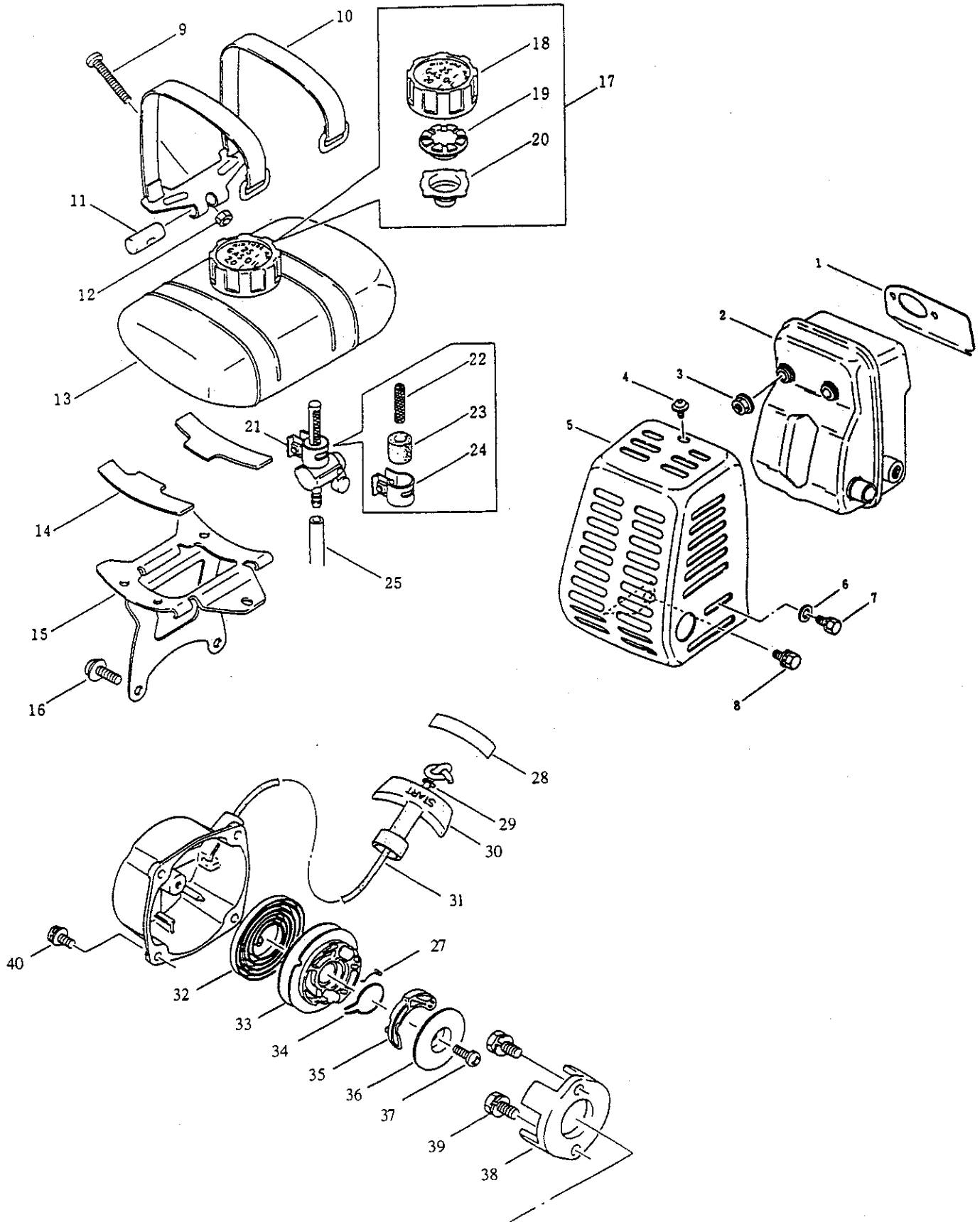
3. CARBURETOR



Ref. No.	Part No.	Description	Qty	Remarks
3- 1	996214	Carburetor ass'y	1	Incl. 2 - 34 FR66830 A
3- 2	996216	Adjuster	1	FR66830 A x 034
3- 3	996217	Bracket	1	FR66830 A x 035
3- 4	996218	Washer	2	FR66830 A x 036
3- 5	996219	Lever	1	FR66830 A x 032
	996223	Nut	1	FR66830 A x 038
3- 7	996222	Washer	1	FR66830 A x 037
3- 8	996221	Washer	1	FR66830 A x 039
3- 9	996224	Link Rod	1	FR66830 A x 033
3-10	996220	Lever Shaft	1	FR66830 A x 040
3-11	996215	Cap	1	FR66830 A x 002
3-12	977475	Spring	1	FR66830 x x 003
3-13	977476	Clip	1	FR66830 x x 004
3-14	977494	Bolt	1	FR66830 x x 023
3-15	977498	Washer	1	FR66830 x x 027
3-16	977495	Clip	1	FR66830 x x 024
3-17	977493	Nut	1	FR66830 x x 022
3-18	977497	O-ring	1	FR66830 x x 026
3-19	977473	Needle Valve	1	FR66830 x x 001
3-20	977485	Float	1	FR66830 x x 013
3-21	977480	O-ring	1	FR66830 x x 008
3-22	977481	Float Chamber	1	FR66830 x x 009
3-23	977496	Screw	2	FR66830 x x 025
3-24	977477	Clip	1	FR66830 x x 005
3-25	998564	Needle Jet	1	FR66830 A x 020
3-26	990682	Throttle Valve	1	FR66830 A x 021
3-27	977478	Adjust Screw	1	FR66830 x x 006
3-28	977479	Spring	1	FR66830 x x 007
3-29	990680	Main Jet	1	FR66830 A x 012
3-30	977487	Float Arm	1	FR66830 x x 015
3-31	991111	Pin	1	FR66830 x x 116
3-32	977486	Screw	1	FR66830 x x 014
3-33	977483	O-ring	1	FR66830 x x 011
3-34	977482	Wing Bolt	1	FR66830 x x 010
3-35	972838	Carburetor Gasket	2	FR64829
3-36	977471	Insulator	1	FR66829
3-37	977444	Intake Pipe	1	FR64922
3-38	971818	Screw	2	H081D05 x 020
3-39	992143	Air Cleaner, Ass'y.	1	Incl. 40 - 43 FR64930 A
3-40	990686	Grid	1	FR67208
3-41	996383	Cleaner Element	1	FR64934 A
3-42	977452	Screen	1	FR64933
3-43	977450	Cleaner Cover	1	FR64931
3-44	990125	Screw	2	H071D04 x 025

MODEL MP 2500E2 & MP2520E2-M

4. STARTER, MUFFLER & FUEL TANK



Ref. No.	Part No.	Description	Qty	Remarks
4- 1	977506	Muffler Gasket	1	FR66842
4- 2	996203	Muffler	1	FR66826C
4- 3	991103	Flange Nut	2	FR67566
4- 4	971820	Screw	1	H091D04 X 008
4- 5	996204	Muffler Cover	1	FR66827CJ
4- 6	912629	Washer	1	W200H05
4- 7	996205	Bolt	1	BO80A05 X 008
4- 8	998565	Bolt	1	B070A05 X 010
4- 9	998957	Screw	1	H051D05 X 035
4-10	996212	Tank Band	1	FR66925
4-11	972883	Bar	1	FR64887
4-12	979339	Nut	1	N020A05
4-13	998566	Fuel Tank Ass'y	1	Incl.17 FR63851D
4-14	996211	Pad	2	FR61569
4-15	996210	Tank Bracket	1	FR66922
4-16	996229	Screw	2	H071D06 X 016K
4-17	977454	Tank Cap, Ass'y	1	Incl.18 - 20 FR64975
4-18	977317	Fuel Tank Cap	1	FR66729
4-19	977455	Holder	1	FR64977
4-20	977315	Gasket	1	FR64976
4-21	996208	Fuel Cock, Ass'y	1	Incl.22 - 24 FR64433
4-22	992158	Screen	1	FR64433X X 005
4-23	992160	Joint	1	FR64433X X 006
4-24	992161	Band	1	FR64433X X 007
4-25	996209	Fuel Hose	1	P002W45 X 190
4-26	998563	Recoil Starter Ass'y.	1	Incl.27 - 38
4-27	972834	Pawl Spring	1	
4-28	992151	Tape	1	
4-29	977519	Washer	1	
4-30	992153	Grip	1	
4-31	977516	Starter Rope	1	
4-32	977515	Recoil Spring	1	
4-33	977514	Reel	1	
4-34	972831	Friction Spring	1	
4-35	977439	Pawl	1	
4-36	977440	Plate	1	
4-37	977441	Screw	1	
4-38	996228	Starter Pulley	1	
4-39	973717	Bolt	1	
4-40	996229	Screw	2	



Maruyama U.S., Inc.
3570 Shelby Lane
Denton, TX 76207
940-383-7400 voice
940-383-7466 fax

www.maruyama-us.com