



MARUYAMA U.S., INC.

301 – 30th Street NE, Suite 118, Auburn, WA 98002
PO Box 309, Auburn, WA 98071-0309
Phone (253) 735-7368 Fax (253) 735-1416

ILLUSTRATED PARTS LIST

MODEL ED260

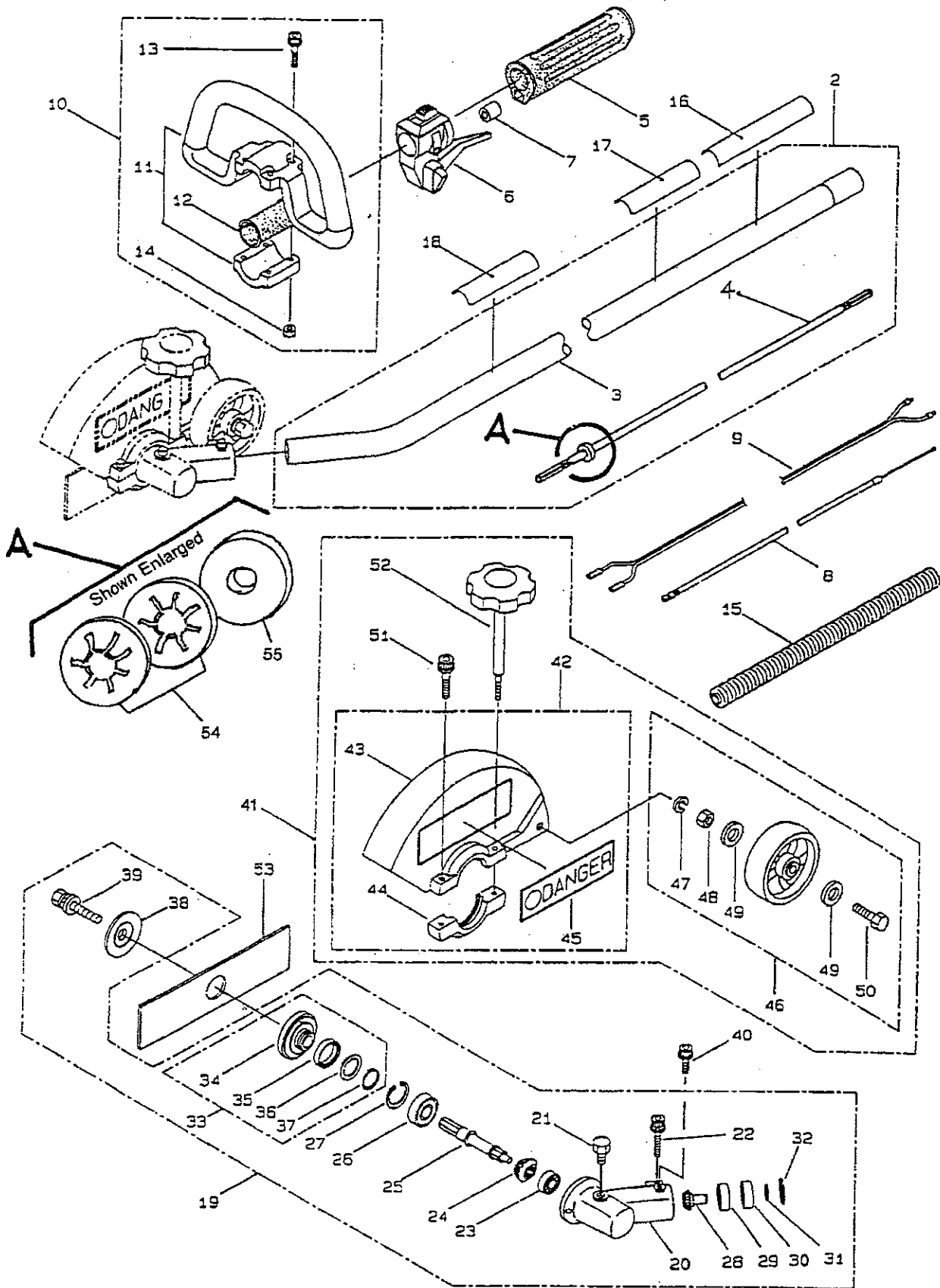
POWER EDGER

Effective 6-20-93



Maruyama — Manufacturing quality agricultural sprayers and equipment since 1895.

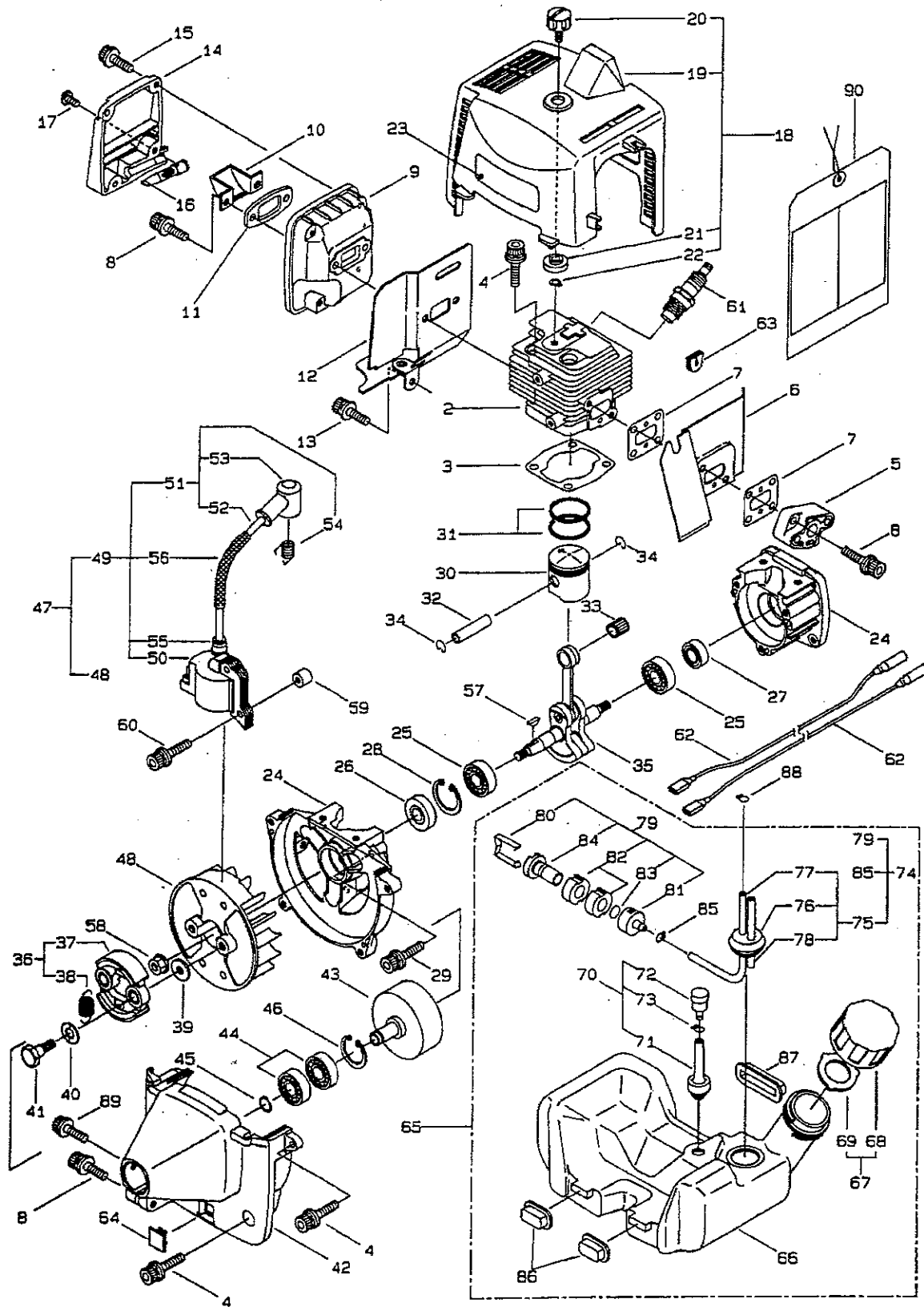
1. DRIVESHAFT, GEARCASE AND BLADE GUARD ASSEMBLY



POWER EDGER: MODEL ED260

Ref.No	Parts No.	Parts Name	Q'ty	Remarks
1- 1	345600	ED260 Ass'y	1	
1- 2	216910	Driveshaft Tube Ass'y	1	Includes 3,4
1- 3	216049	•Driveshaft Tube	1	
1- 4	216749	•Driveshaft	1	
1- 5	215532	Shaft Grip	1	
1- 6	215996	Throttle Trigger	1	
1- 7	214083	Outer Guide	1	
1- 8	215931	Throttle Cable	1	
1- 9	215932	Lead Wires, Stop-Switch	1	
1-10	215601	Loop Handle Ass'y	1	Includes 11~14
1-11	214982	•Loop Handle	1	
1-12	213171	•Packing	1	
1-13	215608	•Cap Screw	4	M5 × 30
1-14	089846	•Nut	4	M5
1-15	215403	Plastic Tube	1	
1-16	216201	Label	1	
1-17	215534	Label	1	
1-18	215535	Label	1	
1-19	216053	Gearcase Ass'y	1	Includes 20~39
1-20	215542	•Gearcase	1	
1-21	089845	•Grease Plug	1	M8 × 10
1-22	261246	•Cap Screw, Clamping	1	M5 × 25
1-23	210554	•Bearing	1	#608
1-24	210555	•Gear	1	
1-25	216056	•Blade Shaft	1	
1-26	212999	•Bearing	1	#6001 2RK
1-27	055185	•Snap Ring	1	H28
1-28	216628	•Pinion Gear	1	
1-29	210560	•Bearing	1	#609
1-30	217042	•Bearing	1	#609RS
1-31	140269	•Snap Ring	1	S9
1-32	140270	•Snap Ring	1	H24
1-33	217673	•Boss Adapter Ass'y	1	Includes 34~37
1-34		••Boss Adapter	1	
1-35	217039	••Felt Ring	1	φ 20 × φ 28 × t5
1-36	217675	••Washer	1	φ 18.5 × φ 26 × t1
1-37	160787	••Snap Ring	1	S18
1-38	215546	•Clamping Washer	1	
1-39	215610	•Bolt (L.H. Thread)	1	M8 × 22
1-40	261762	Cap Screw, Alignment	1	M5 × 14
1-41	216063	Blade Guard Ass'y-Complete	1	Includes 42~52
1-42	217523	•Shield Ass'y	1	Includes 43~45
1-43	216064	••Shield	1	
1-44	216066	••Clamp	1	
1-45	216630	••Label	1	
1-46	216069	•Wheel Ass'y	1	Includes 47~50
1-47	015845	••Spring Washer	1	M8
1-48	081039	••Nut	1	M8
1-49	014065	••Washer	2	M8
1-50	080159	••Bolt	1	M8 × 55
1-51	261612	•Cap Screw, Clamping	1	M5 × 30
1-52	217132	•Knob, Clamping (Opt. P/N 216087T)	1	
1-53	216062	Cutting Blade (Opt. P/N 840084)	1	
1-54	216631	Push Nut	2	M6
1-55	216059	Stop Washer	1	

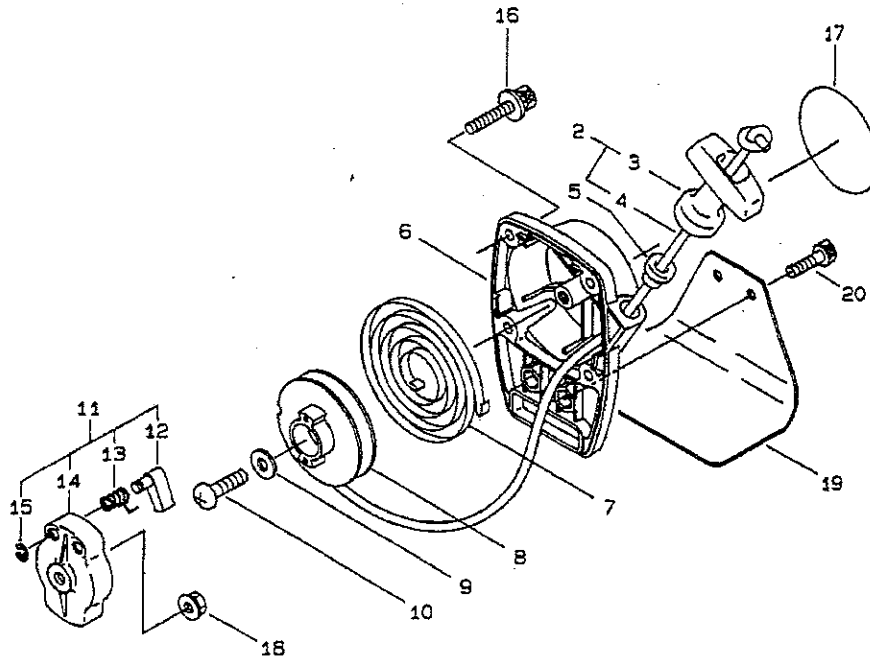
2 · ENGINE



Ref.No.	Parts No.	Parts Name	Q'ty	Remarks
2- 1	262486	Engine Ass'y-Complete	1	AE260/24
2- 2	261472	Cylinder	1	New gasket required
2- 3	261474	Gasket	1	
2- 4	261250	Cap Screw	8	M5×20
2- 5	261938	Insulator	1	New gasket required
2- 6	261476	Air Duct	1	
2- 7	261171	Gasket	2	
2- 8	261246	Cap Screw	5	M5×25
2- 9	262393	Muffler Body	1	New muffler cover required
2-10	261368	Deflector	1	
2-11	261986	Deflector Plate	1	
2-12	261478	Gasket	1	
2-13	261607	Cap Screw	1	M5×16
2-14	262394	Muffler Cover	1	New muffler body required
2-15	261250	Cap Screw	4	M5×20
2-16	262395	Spark Arrestor	1	
2-17	089530	Screw, Spark Arrestor	1	M3×10
2-18	261483	Top Cover Ass'y	1	Includes 19~22 (No Label)
2-19	261484	•Top Cover	1	New label required
2-20	261018	•Knob	1	
2-21	261020	•Spacer	1	
2-22	261734	•Snap Ring	1	
2-23	262100	Label	1	MARUYAMA
2-24	261486	Crankcase	1	
2-25	261491	Bearing	2	6001C3
2-26	262198	Oil Seal	1	ISCD12287
2-27	262197	Oil Seal	1	ISCD12227
2-28	055185	Snap Ring	1	H28
2-29	261612	Cap Screw	3	M5×30
2-30	261494	Piston	1	
2-31	261496	Piston Ring	2	(2)Required
2-32	261497	Piston Pin	1	
2-33	261037	Needle Bearing	1	KBK8×11×11.8×1
2-34	261576	Clip, Piston Pin	2	
2-35	261499	Crankshaft/Conn. Rod Ass'y	1	
2-36	261405	Clutch Ass'y	1	Includes 37,38
2-37	261406	•Clutch Shoe	2	(2)Required
2-38	262203	•Spring, Clutch	1	
2-39	261189	Washer	2	φ6×φ16.5×t1.2
2-40	261777	Wave Washer	2	
2-41	261056	Clutch Bolt	2	M6
2-42	261248	Clutch Drum Case	1	
2-43	262433	Clutch Drum	1	New snap ring required
2-44	261743	Bearing	2	6000ZZ NS7S
2-45	014210	Snap Ring	1	S10
2-46	054676	Snap Ring	1	H26
2-47	261357	Magneto Ass'y	1	Includes 48~56
2-48	261356	•Rotor/Fan	1	
2-49	261069	•Ignition Coil Ass'y	1	Includes 50~56
2-50	261070	••Coil	1	
2-51	261744	••Spark Plug Wire Ass'y	1	Includes 52~54
2-52	261071	•••Spark Plug Wire	1	
2-53	261074	•••Plug Boot	1	
2-54	261075	•••Connector	1	
2-55	261072	••Cap	1	
2-56	261073	••Insulator	1	φ6×φ6.8×80L

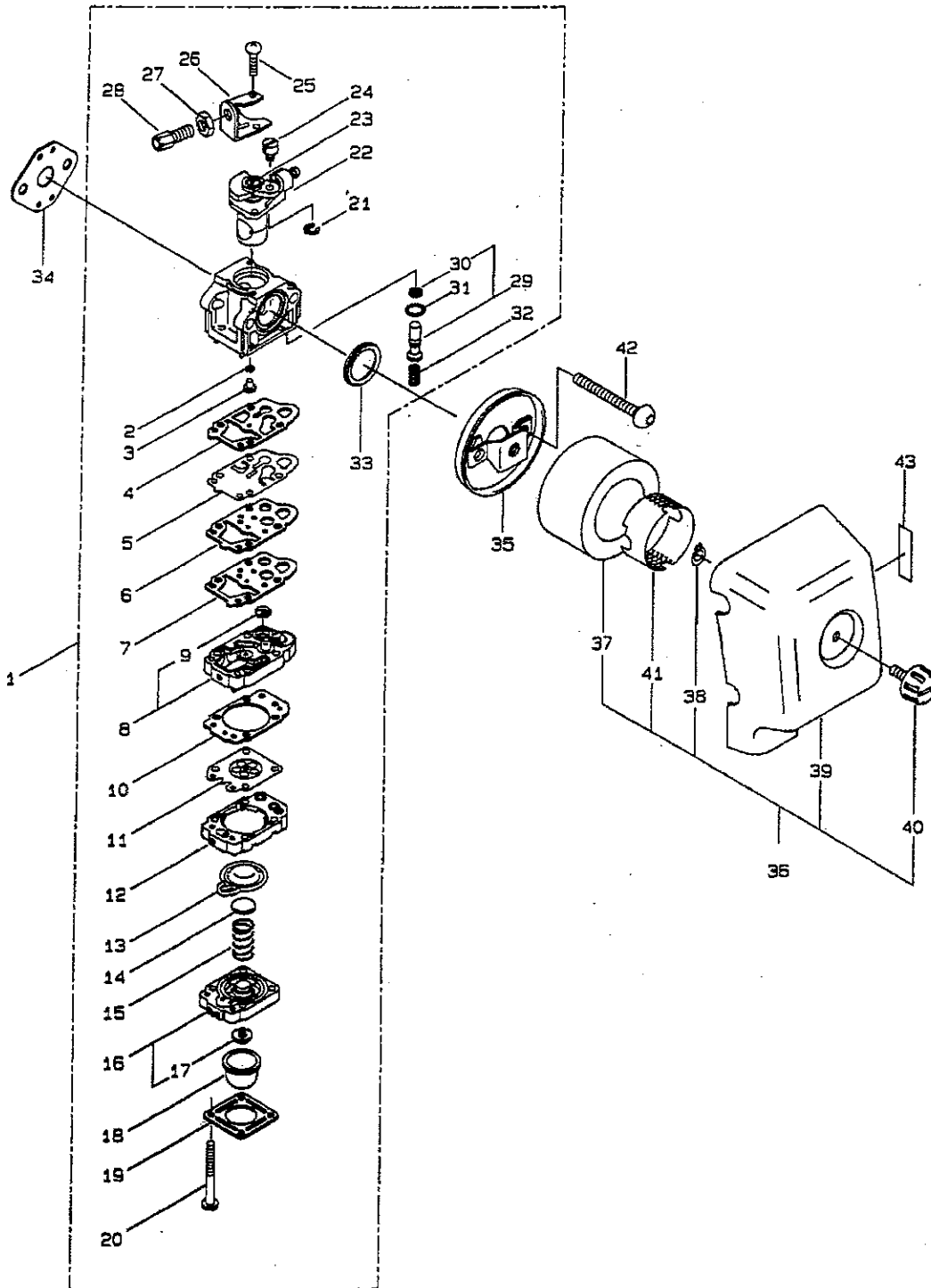
Ref.No.	Parts No.	Parts Name	Q'ty	Remarks
2-57	261076	Woodruff Key	1	
2-58	261417	Nut, Rotor	1	M8
2-59	261078	Spacer	2	
2-60	261256	Cap Screw	2	M4 x 25
2-61	261200	Spark Plug	1	NGK BPM6Y
2-62	261772	Wire, Coil Ground	2	
2-63	261202	Grommet	1	
2-64	261786	Plug	1	
2-65	261962	Fuel Tank Ass'y .	1	Includes 66~87
2-66	261963	•Fuel Tank	1	
2-67	261584	•Fuel Tank Cap Ass'y	1	Includes 68,69
2-68	261578	••Fuel Tank Cap	1	
2-69	261105	••Gasket	1	
2-70	261696	•Breather Ass'y	1	Includes 71~73
2-71	261697	••Grommet	1	
2-72	261590	••Breather	1	
2-73	261698	••Clip	1	
2-74	261846	•Fuel Pipe Pick-up Ass'y	1	Includes 75~85
2-75	261688	••Fuel Pipe Ass'y	1	Includes 76~78
2-76	261115	•••Grommet	1	
2-77	261690	•••Fuel Pipe	1	
2-78	261114	•••Return Pipe	1	φ 3 × φ 5 × 60L
2-79	261797	••Fuel Filter Ass'y	1	Includes 80~84
2-80	261798	•••Clip	1	
2-81	261799	•••Body	1	
2-82	261800	•••Filter	2	
2-83	261801	•••Packing	1	
2-84	261802	•••Retainer	1	
2-85	261117	••Clip	1	
2-86	261118	•Pad	2	
2-87	261119	•Pad	1	
2-88	261117	Clip	1	
2-89	261233	Cap Screw, Alignment	1	M5 x 12
2-90	262129	Card, Starting Instruction	1	

3-REWIND STARTER ASSEMBLY



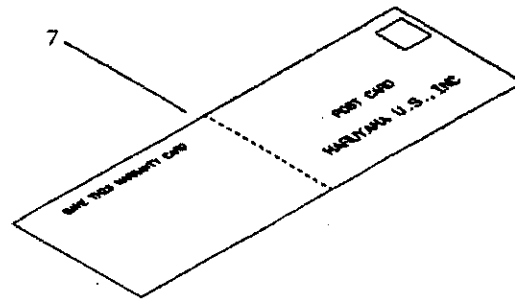
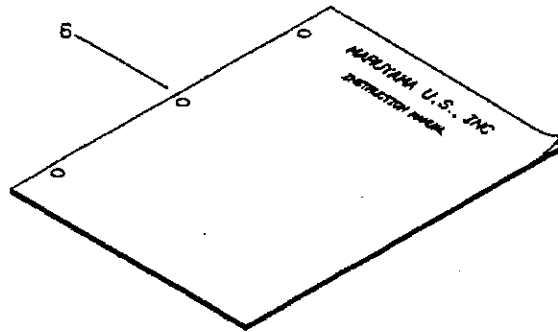
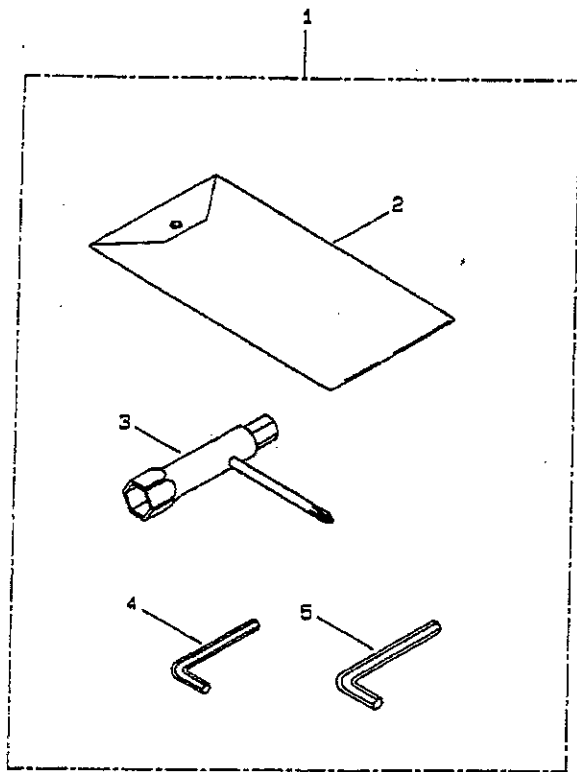
Ref.No.	Parts No.	Parts Name	Q'ty	Remarks
3- 1	262039	Rewind Starter Ass'y	1	Includes 2~10
3- 2	261723	•Rope Ass'y	1	Includes 3,4
3- 3	261725	••Starter Grip	1	
3- 4	261724	••Starter Rope	1	
3- 5	261625	•Rope Guide	1	
3- 6	262040	•Starter Case	1	
3- 7	261721	•Rewind Spring	1	
3- 8	261720	•Pulley	1	
3- 9	261722	•Washer	1	
3-10	261624	•Screw	1	M5 × 12
3-11	261421	Starter Pawl Ass'y	1	Includes 12~15
3-12	261727	•Pawl	1	
3-13	261728	•Return Spring	1	
3-14	261726	•Pawl Case	1	
3-15	020299	•E-Ring	1	
3-16	261257	Cap Screw	4	M4 × 16
3-17	260459	Label	1	
3-18	081039	Nut	1	M8
3-19	262415	Stand	1	
3-20	261607	Cap Screw	2	M5 × 16

4 · CARBURETOR AND AIR FILTER ASSEMBLY



Ref.No.	Parts No	Parts Name	Q'ty	Remarks
4- 1	261755	Carburetor Ass'y	1	Includes 2~ 33
4- 2	261871	•O-Ring	1	
4- 3	262121	•Main Jet	1	#41
4- 4	261637	•Gasket	1	
4- 5	261638	•Diaphragm, Fuel Pump	1	
4- 6	261639	•Plate	1	
4- 7	261640	•Gasket	1	
4- 8	261641	•Pump Body	1	Includes 9
4- 9	261872	••Inlet Screen	1	
4-10	261642	•Gasket	1	
4-11	261873	•Diaphragm, Metering	1	
4-12	261643	•Diaphragm Body	1	
4-13	261644	•Diaphragm, Primer	1	
4-14	261650	•Retainer	1	
4-15	261649	•Spring	1	
4-16	261645	•Purge Body	1	Includes 17
4-17	261646	••Valve	1	
4-18	261874	•Primer Bulb	1	
4-19	261647	•Cover Plate	1	
4-20	261648	•Screw	4	
4-21	261876	•E-Ring	1	
4-22	261651	•Throttle Valve Ass'y	1	
4-23	261652	•Plug	1	
4-24	261658	•Swivel	1	
4-25	261875	•Screw	2	
4-26	261659	•Bracket	1	
4-27	261878	•Nut	4	
4-28	261877	•Adapter	4	
4-29	261653	•Injection Button	1	Includes 30
4-30	261654	••Packing	1	
4-31	261655	•O-Ring	1	
4-32	261656	•Spring	1	
4-33	261657	•Packing	1	
4-34	261864	Gasket	1	
4-35	261090	Air Filter Plate	1	
4-36	262447	Air Filter Ass'y	1	Includes 37~41
4-37	261598	•Foam Element	1	
4-38	261734	•Snap Ring	1	
4-39	261913	•Air Filter Cover	1	
4-40	261018	•Knob	1	
4-41	261993	•Screen	1	
4-42	261814	Cap Screw	2	M5 × 50
4-43	261803	Label	1	

5 · ACCESSORIES



Ref.No.	Parts No.	Parts Name	Q'ty	Remarks
5- 1	215585	Tool Kit	1	Includes 2~5
5- 2	054753	•Tool Bag	1	
5- 3	210418	•Box Spanner	1	
5- 4	062047	•Wrench	1	
5- 5	105489	•Wrench	1	
5- 6	216070	Instruction Manual	1	
5- 7	216007	Warranty Card	1	



Maruyama U.S., Inc.
3570 Shelby Lane
Denton, TX 76207
940-383-7400 voice
940-383-7466 fax

www.maruyama-us.com