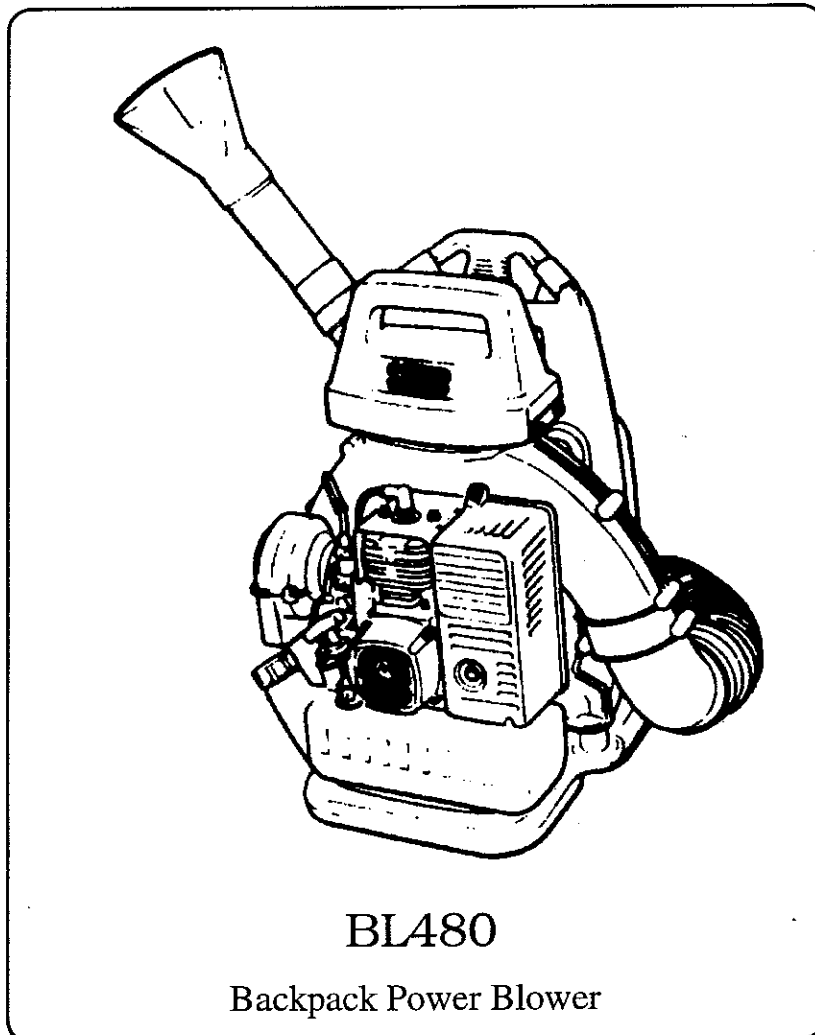




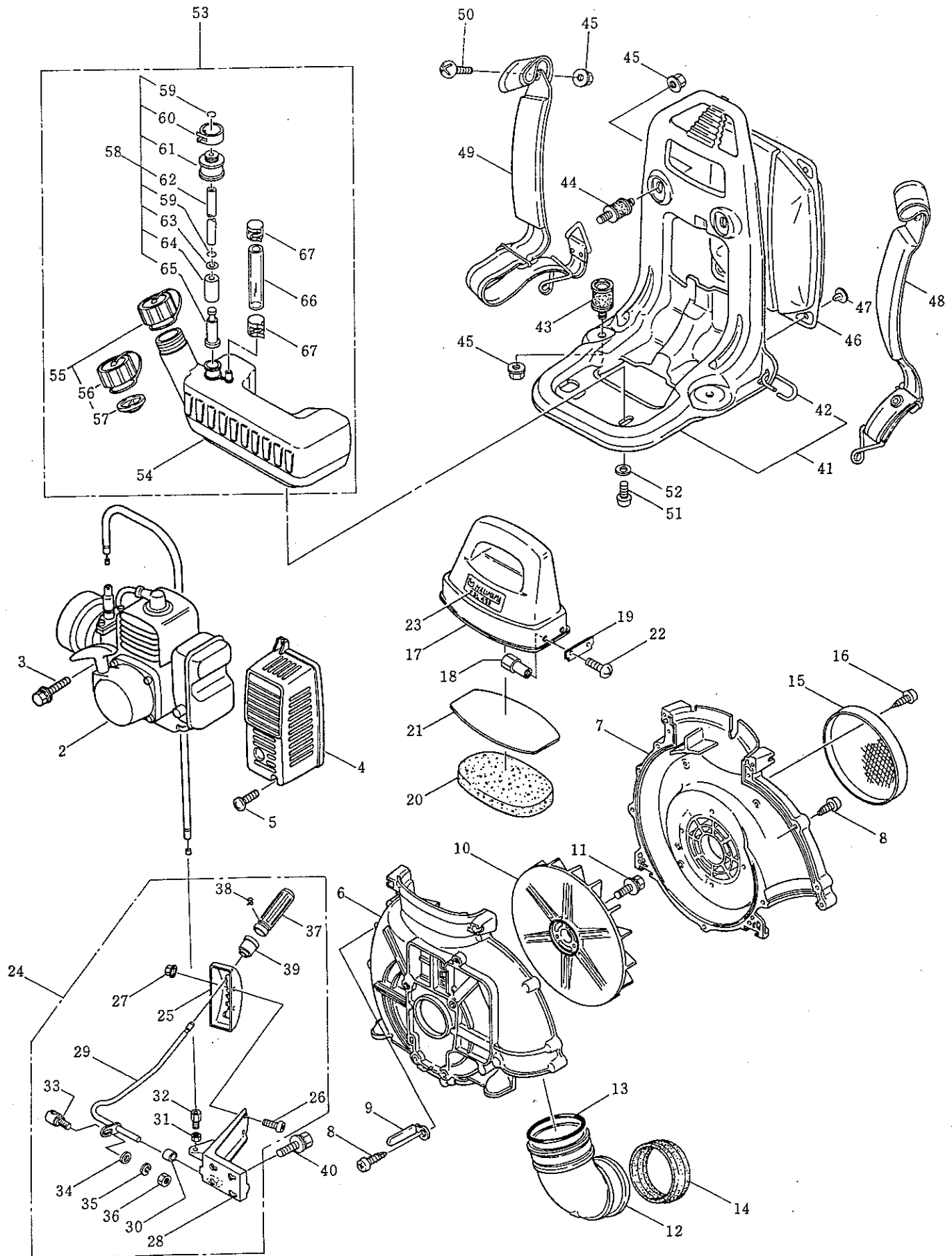
*Manufacturing quality equipment since 1895.*

# ILLUSTRATED PARTS LIST

Model BL480



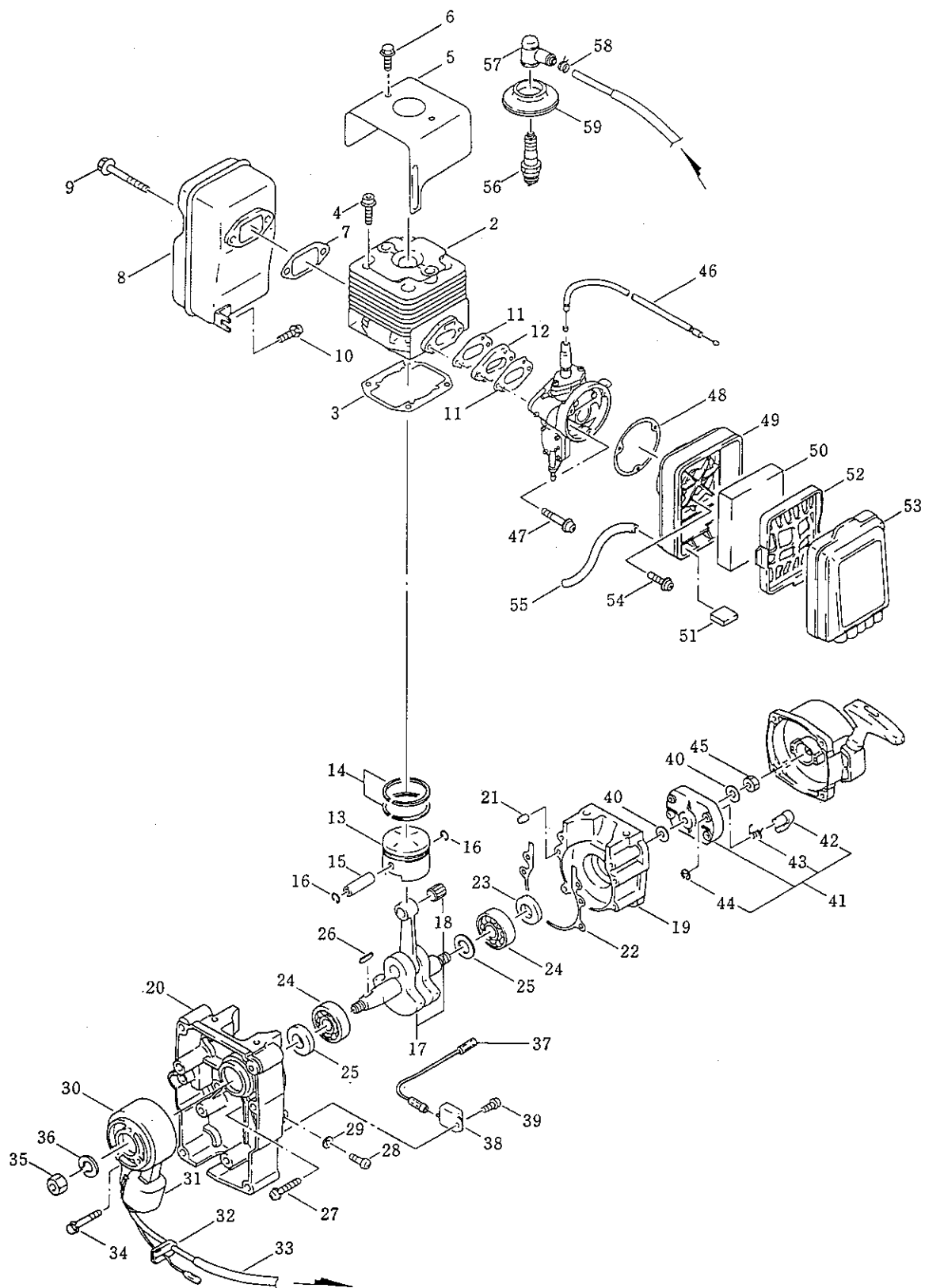
# 1. FRAME & BLOWER



Ref. No.	Part No.	Part Name	Q'ty	Remarks
1-1	395659	BL480	1	
1-2	116676	Engine	1	TE48
1-3	092512	Bolt	4	M6 × 45
1-4	108472	Muffler Cover	1	
1-5	092018	Screw	2	M5 × 15
1-6	114433	Fan Case(Engine side)	1	
1-7	115781	Fan Case(Frame side)	1	
1-8	089578	Tapping Screw	12	M5 × 28
1-9	103550	Clamp	1	
1-10	107696	Fan	1	
1-11	092503	Bolt	3	M6 × 25
1-12	105660	Pipe	1	
1-13	011367	O - Ring	1	V70
1-14	100808	Rubber Joint	1	
1-15	103084	Cover	1	
1-16	028073	Tapping Screw	4	M5 × 12
1-17	113816	Handle	1	
1-18	114195	Nut	4	M5
1-19	113818	Plate	2	
1-20	113819	Packing, Lower	1	
1-21	113910	Packing, Upper	1	
1-22	092052	Screw	4	M5 × 18
1-23	116321	Label	1	BL480
1-24	115244	Throttle Ass'y	1	Includes 25~39
1-25	115245	•Dial Plate	1	
1-26	081454	•Screw	2	M6 × 14
1-27	104797	•Nut	2	M6
1-28	115246	•Bracket	1	
1-29	113826	•Throttle Lever	1	
1-30	108073	•Collar	1	
1-31	081032	•Nut	1	M6
1-32	102309	•Cable Guide	1	
1-33	102316	•Wire Guide	1	
1-34	022905	•Washer	1	M5
1-35	012501	•Spring Washer	1	M5
1-36	081028	•Nut	1	M5
1-37	105766	•Knob	1	
1-38	105767	•Clip	1	
1-39	100726	•Cap	1	
1-40	092548	Bolt	4	M5 × 15
1-41	113828	Backpack Frame	1	Includes 42
1-42	101353	•Ring	2	
1-43	114454	Buffer	2	
1-44	026223	Buffer	2	
1-45	109704	Nut	6	M6
1-46	114848	Cusion Pad	1	
1-47	116082	Fastener	4	
1-48	102172	Shoulder Strap Ass'y - Right	1	
1-49	102173	Shoulder Strap Ass'y - Left	1	
1-50	083445	Screw	2	M6 × 16

Ref. No.	Part No.	Part Name	Q'ty	Remarks
1 - 51	081414	Screw	2	M5 × 14
1 - 52	015479	Washer	2	φ 5.3 × φ 16 × t1.6
1 - 53	114623	Fuel Tank Ass'y	1	Includes 54-67
1 - 54	114421	•Fuel Tank	1	
1 - 55	114293	•Tank Cap Ass'y	1	Includes 56, 57
1 - 56	573186	••Tank Cap	1	
1 - 57	944268	••Breather	1	
1 - 58	998419	•Fuel Filter Ass'y	1	Includes 59-65
1 - 59	944602	••Clamp	2	
1 - 60	944843	••Clamp	1	
1 - 61	944842	••Joint	1	
1 - 62	944844	••Tube	1	
1 - 63	944841	••Washer	1	
1 - 64	573070	••Fuel Filter	1	
1 - 65	573069	••Weight	1	
1 - 66	114624	•Tube, Fuel Return	1	φ 8 × φ 12 × 75L
1 - 67	043832	•Clamp	2	

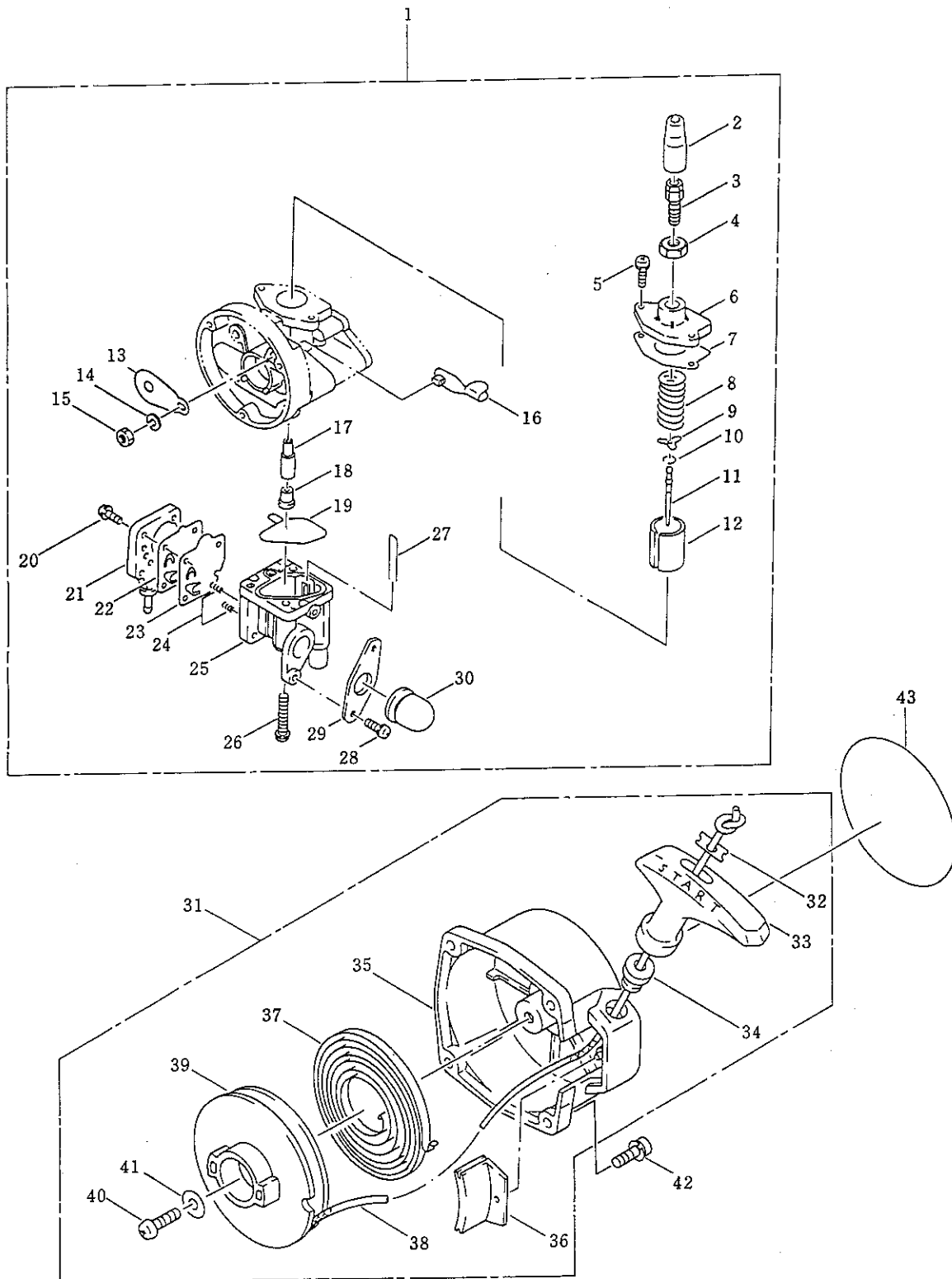
## 2. ENGINE (Cylinder, Crankcase and Air Filter)



Ref. No.	Part No.	Part Name	Q'ty	Remarks
2-1	114431	Engine	1	TE48
2-2	570241	Cylinder	1	New gasket required
2-3	570242	Gasket	1	
2-4	943288	Bolt	4	
2-5	591093	Shroud	1	
2-6	570254	Bolt	2	M5 × 10
2-7	943298	Gasket	1	
2-8	570243	Muffler	1	
2-9	577390	Bolt	2	M6 × 65
2-10	943276	Screw	1	
2-11	998403	Gasket	2	
2-12	998404	Insulator	1	New gasket required
2-13	570244	Piston	1	
2-14	943304	Piston Ring Set	1	
2-15	944769	Piston Pin	1	
2-16	943307	Clip, Piston Pin	2	
2-17	570245	Crankshaft Ass'y	1	Includes 18
2-18	943281	•Needle Bearing	1	
2-19	570246	Crankcase	1	
2-20	570247	Crankcase	1	
2-21	943349	Dowel Pin	2	
2-22	570248	Gasket	1	
2-23	071320	Oil Seal	2	
2-24	071386	Bearing	2	
2-25	943020	Shim(t0.1)	AR	
2-25	943021	Shim(t0.2)	AR	
2-25	943022	Shim(t0.4)	AR	
2-25	943023	Shim(t0.6)	AR	
2-26	998409	Key	1	
2-27	943273	Screw	4	M6 × 30
2-28	944619	Screw	1	M6 × 8
2-29	943893	Gasket	1	
2-30	570251	Flywheel	1	
2-31	579526	Ignition Coil	1	
2-32	943344	Grommet	1	
2-33	998411	Tube	1	
2-34	943457	Bolt	2	M5 × 20
2-35	998410	Nut	1	
2-36	943924	Washer	1	
2-37	998406	Lead Wire	1	
2-38	579525	Igniter	1	
2-39	943572	Screw	1	M4 × 8
2-40	071344	Washer	2	
2-41	998414	Starter Pawl Ass'y	1	Includes 42~44
2-42	572938	•Pawl	1	
2-43	998416	•Return Spring	1	
2-44	944226	•E - Ring	1	
2-45	998417	Nut	1	
2-46	107626	Throttle Cable	1	
2-47	943274	Screw	2	
2-48	998394	Gasket	1	
2-49	998389	Air Filter Case	1	
2-50	998392	Air Filter Element	1	

Ref. No.	Part No.	Part Name	Q'ty	Remarks
2 - 51	998391	Air Filter Element	1	
2 - 52	998393	Screen	1	
2 - 53	998390	Air Filter Cover	1	
2 - 54	944125	Screw	3	M4 × 12
2 - 55	998405	Tube	1	
2 - 56	573081	Spark Plug	1	
2 - 57	943773	Spark Plug Cap	1	
2 - 58	943771	Terminal	1	
2 - 59	570252	Cover	1	

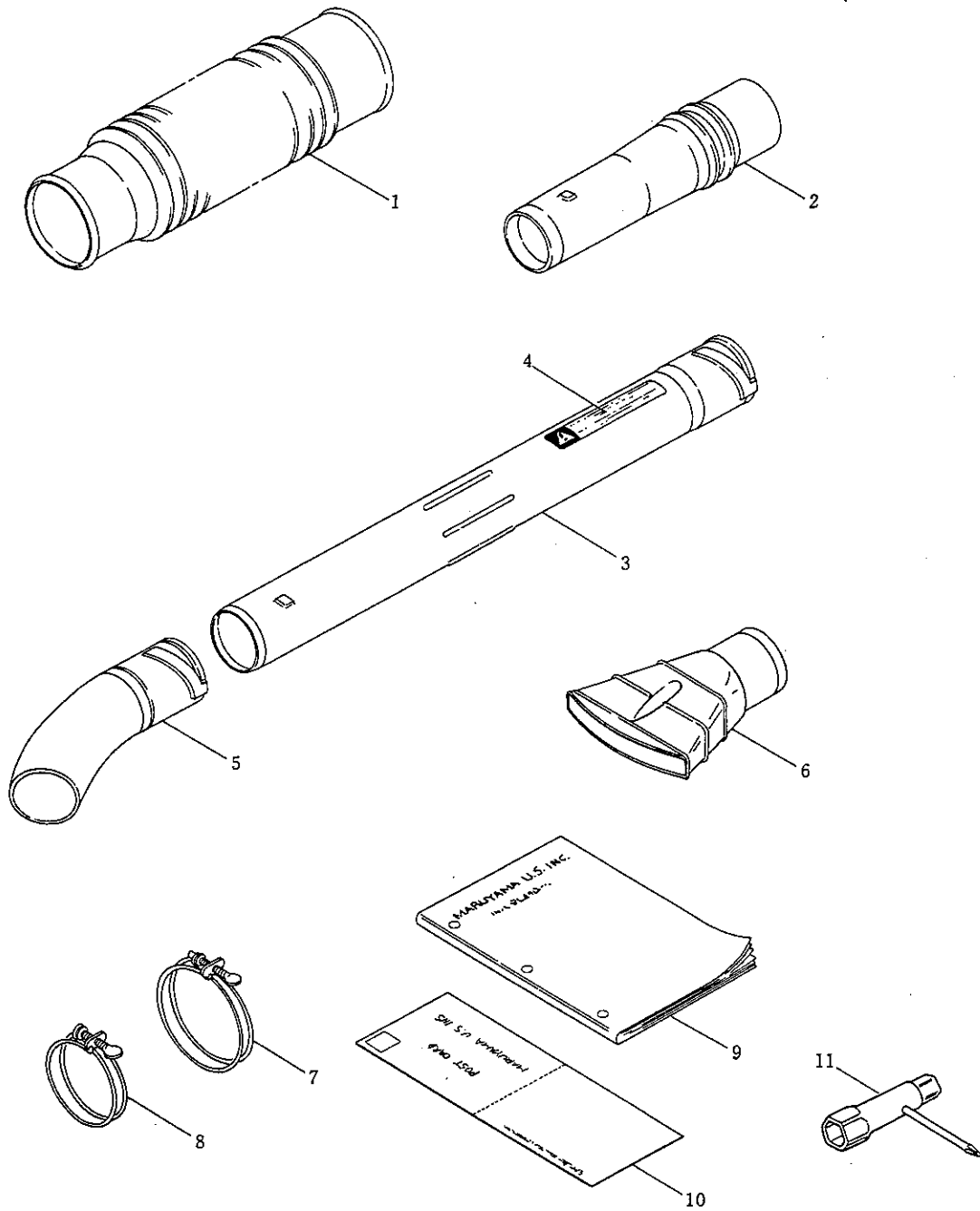
### 3. ENGINE (Carburetor and Recoil Starter Assembly)





Ref. No.	Part No.	Part Name	Q'ty	Remarks
3-1	570249	Carburetor Ass'y	1	Includes 2~30
3-2	944642	•Cap	1	
3-3	944349	•Adjuster	1	
3-4	944348	•Nut	1	
3-5	943914	•Screw	2	
3-6	944347	•Cap	1	
3-7	943338	•Gasket	1	
3-8	998420	•Spring	1	
3-9	943335	•Retainer Spring	1	
3-10	071145	•Snap Ring	1	
3-11	944684	•Needle Jet	1	
3-12	943325	•Throttle Valve	1	
3-13	944689	•Choke Plate	1	
3-14	944102	•Spring Washer	1	
3-15	071153	•Nut	1	
3-16	998421	•Lever	1	
3-17	998422	•Jet Nozzle	1	
3-18	570255	•Main Jet	1	
3-19	998424	•Gasket	1	
3-20	943621	•Screw	4	
3-21	943750	•Pump Cover	1	
3-22	570256	•Pump Diaphragm	1	
3-23	943751	•Gasket	1	
3-24	998426	•Spring	2	
3-25	998427	•Float Chamber	1	
3-26	998428	•Screw	2	
3-27	998429	•Wire	1	
3-28	998430	•Screw	2	
3-29	578508	•Plate	1	
3-30	998432	•Primer Bulb	1	
3-31	998413	Recoil Starter Ass'y	1	Includes 32~41
3-32	944502	•Plate	1	
3-33	998437	•Grip	1	
3-34	998438	•Rope Guide	1	
3-35	998439	•Recoil Case	1	
3-36	998440	•Shield	1	
3-37	998435	•Spring	1	
3-38	998436	•Rope	1	
3-39	998434	•Reel	1	
3-40	944801	•Screw	1	
3-41	998433	•Washer	1	
3-42	943275	Screw	4	
3-43	116483	Label	1	

# 4. ACCESSORIES



Ref. No.	Part No.	Part Name	Q'ty	Remarks
4 - 1	105668	Flexible Pipe	1	
4 - 2	106721	Swivel Pipe Ass'y	1	
4 - 3	107149	Straight Pipe	1	600L
4 - 4	107483	Decal	1	
4 - 5	106725	Bent Pipe	1	
4 - 6	106726	Fan - Blow Head	1	
4 - 7	100823	Wire Clamp, Large	1	3.75 in.
4 - 8	100753	Wire Clamp, Small	1	3.0 in.
4 - 9	116317	Instruction Manual	1	BL400/BL480
4 - 10	216007	Warranty Card	1	
4 - 11	210418	Box Spanner	1	13 × 19 × ⊕ Screwdriver