



Manufacturing quality equipment since 1895.

ILLUSTRATED PARTS LIST

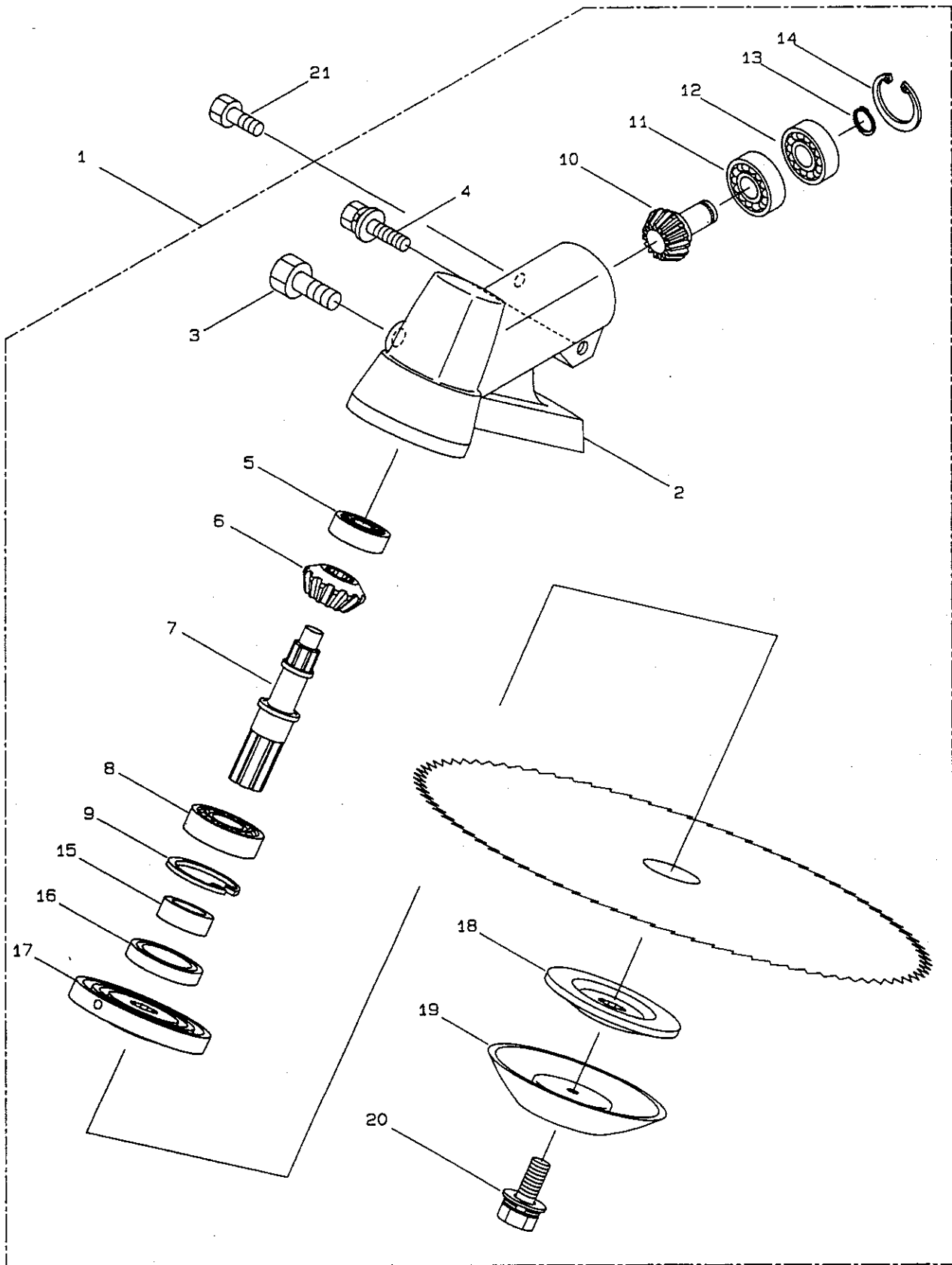
Models BC420H & BC500H



Ref. No.	Part No.	Description	Q'ty	Remarks
1- 1	347897	BC420H Ass'y	1	
1- 1	347944	BC500H Ass'y	1	
1- 2	217043	Clutch Case Ass'y	1	Includes 3~10
1- 3	217044	•Bearing Case	1	
1- 4	140474	•Bearing	2	#620ZZ
1- 5	012380	•Snap Ring	1	H35
1- 6	217045	•Buffer	1	
1- 7	217046	•Buffer	1	
1- 8	217047	•Washer	1	
1- 9	092033	•Screw	4	M5 × 15
1-10	217048	•Driveshaft Tube Adapter	1	
1-11	092556	Cap Screw	1	M6 × 30
1-12	211203	Clutch Drum	1	
1-13	217897	Driveshaft Ass'y	1	
1-14	217900	Driveshaft Tube	1	
1-15	217850	Hanging Bracket Ass'y	1	Includes 16
1-16	092548	•Cap Screw	1	M5 × 15
1-17	217638	Bracket Ass'y	1	Includes 18,19
1-18	092554	•Cap Screw	4	M6 × 25
1-19	092556	•Cap Screw	2	M6 × 30
1-20	217136	Label(BC420H)	1	
1-20	219185	Label(BC500H)	1	
1-21	215534	Label	1	
1-22	215535	Label	1	
1-23	219156	Handle Ass'y - Left	1	Includes 24,25
1-24	219157	•Handle	1	
1-25	217904	•Handle Grip	1	
1-26	219159	Handle Ass'y - Right	1	Includes 27,28
1-27	219160	•Handle	1	
1-28	217907	•Handle Grip	1	
1-29	216547	Throttle Trigger	1	
1-30	219126	Rubber Tube	1	
1-31	215969	Wire Ass'y	1	Includes 32
1-32	213606	•Throttle Cable	1	
1-33	219161	Wire Guide	2	
1-34	998384	Full Support Harness	1	
1-35	217091	Blade Guard	1	
1-36	092562	Cap Screw	4	M5 × 10
1-37	219113	Cap Screw	4	M6 × 20

MODELS: BC420H & BC500H

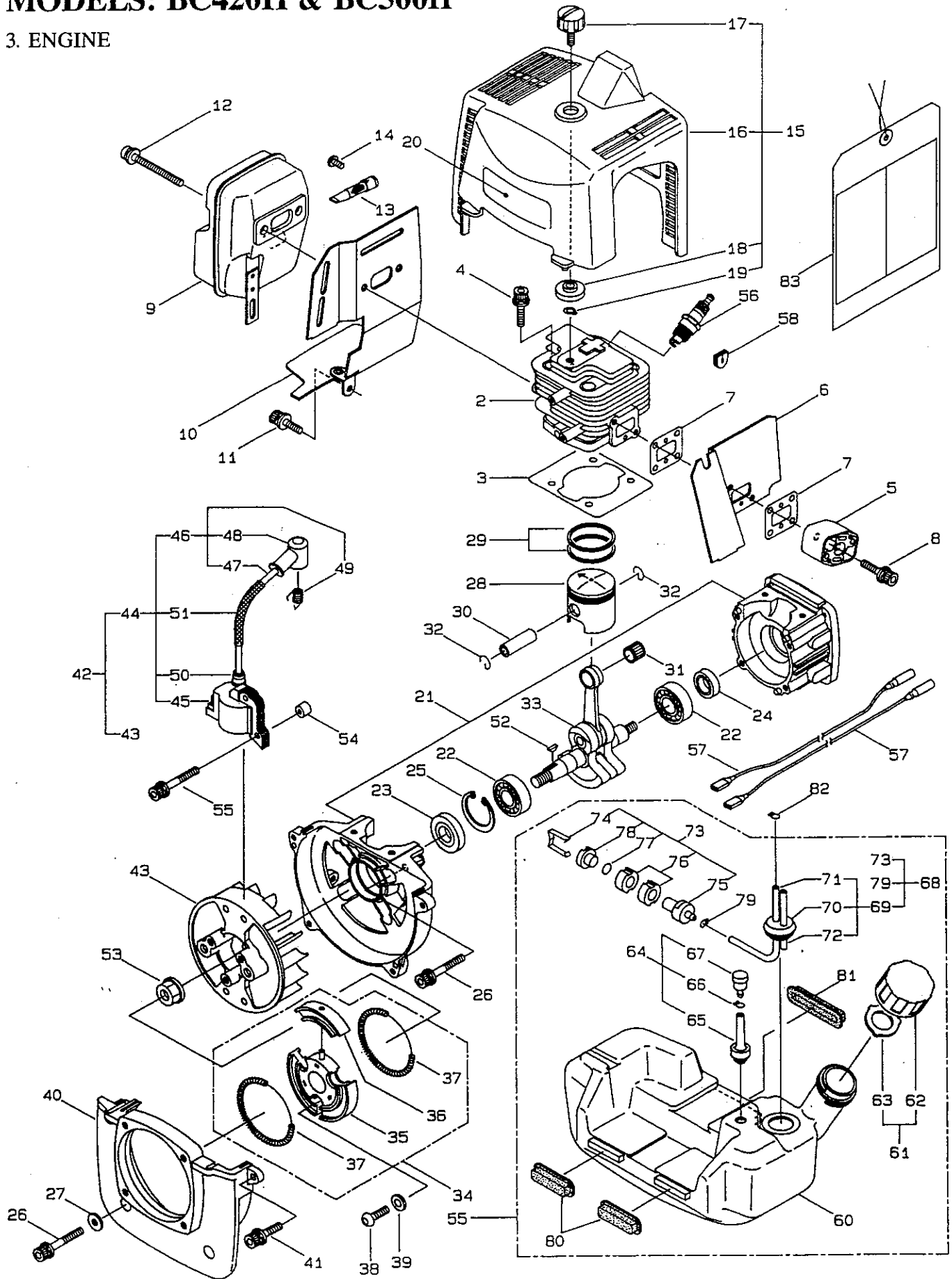
2. GEARCASE ASSEMBLY



Ref.No.	Part No.	Description	Q'ty	Remarks
2- 1	217088	Gearcase Ass'y	1	Includes 2~ 20
2- 2	217089	•Gearcase	1	
2- 3	089884	•Grease Plug	1	M8× 10
2- 4	092556	•Cap Screw, Clamping	1	M6× 30
2- 5	210560	•Bearing	1	#609
2- 6	211698	•Gear	1	
2- 7	217057	•Blade Shaft	1	
2- 8	022009	•Bearing	1	#6002
2- 9	016732	•Snap Ring	1	H32
2-10	211695	•Pinion Gear	1	
2-11	014490	•Bearing	1	#6000
2-12	106933	•Bearing	1	#6000Z
2-13	014210	•Snap Ring	1	S10
2-14	054676	•Snap Ring	1	H26
2-15	212394	•Collar	1	
2-16	211818	•Oil Seal	1	D22326
2-17	217060	•Boss Adapter	1	
2-18	217061	•Clamping Washer	1	
2-19	210308	•Stabilizer	1	
2-20	215610	•Bolt (L.H.Thread)	1	M8× 22
2-21	082094	Cap Screw, Alignment	1	M6× 10

MODELS: BC420H & BC500H

3. ENGINE

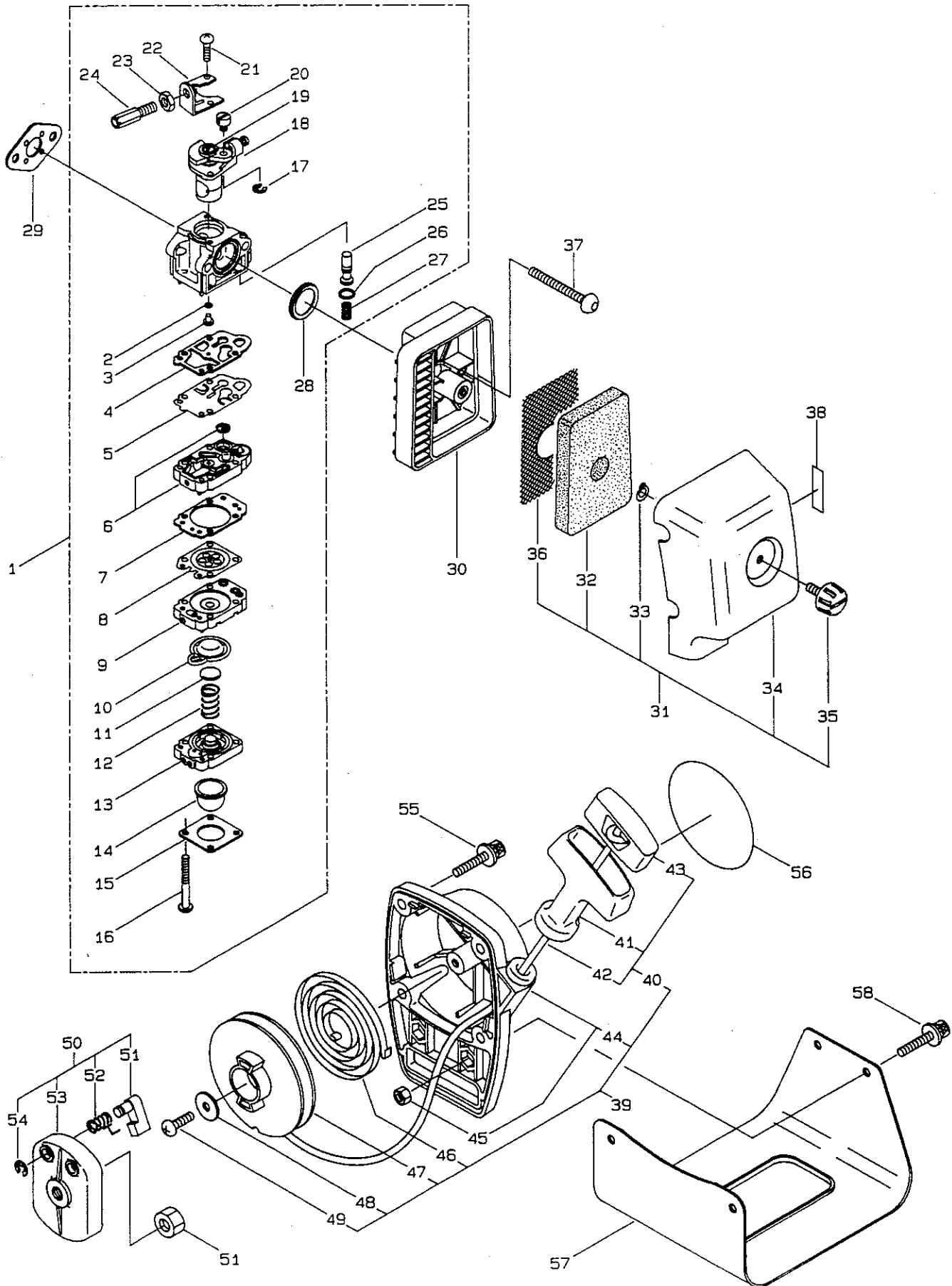


Ref. No.	Part No.	Description	Q'ty	Remarks
3- 1	264032	Engine Ass'y-Complete	1	AE420/08
3- 1	264226	Engine Ass'y-Complete	1	AE500/02
3- 2	262544	Cylinder (AE420)	1	New gasket required
3- 2	264017	Cylinder (AE500)	1	New gasket required
3- 3	262546	Gasket	1	
3- 4	261246	Cap Screw	4	M5 × 25
3- 5	262548	Insulator	1	New gasket required
3- 6	262550	Air Duct (AE420)	1	
3- 6	264064	Air Duct (AE500)	1	
3- 7	262790	Gasket	2	
3- 8	261246	Cap Screw	2	M5 × 25
3- 9	264020	Muffler	1	
3-10	262617	Gasket	1	
3-11	261607	Cap Screw	1	M5 × 16
3-12	262687	Cap Screw	2	M6 × 65
3-13	262395	Spark Arrestor	1	
3-14	089530	Screw, Spark Arrestor	1	M3 × 10
3-15	262554	Top Cover Ass'y (AE420)	1	Includes 16~19
3-15	263922	Top Cover Ass'y (AE500)	1	Includes 16~19
3-16	262555	•Top Cover (AE420)	1	New label required
3-16	263923	•Top Cover (AE500)	1	New label required
3-17	262556	•Knob	1	
3-18	262689	•Spacer	1	
3-19	262690	•Snap Ring	1	
3-20	262714	Label	1	MARUYAMA
3-21	262558	Crankcase	1	
3-22	262658	Bearing	2	#6202C3
3-23	262660	Oil Seal	1	TC15357
3-24	262565	Oil Seal	1	ISCD 15257
3-25	012380	Snap Ring	1	H35
3-26	261999	Cap Screw	6	M5 × 40
3-27	263743	Washer	2	φ 5.7 × φ 15.8 × t2
3-28	262473	Piston (AE420)	1	
3-28	264003	Piston (AE500)	1	
3-29	262476	Piston Ring (AE420)	2	(2)Required
3-29	264005	Piston Ring (AE500)	2	(2)Required
3-30	262749	Piston Pin	1	
3-31	262659	Needle Bearing	1	KTV111414EGO1B2
3-32	262479	Clip,Piston Pin	2	
3-33	262567	Crankshaft/Conn. Rod Ass'y	1	
3-34	264074	Clutch Ass'y	1	Includes 35~37
3-35	264072	•Wheel	1	
3-36	264071	•Clutch Shoe	3	
3-37	264070	•Spring,Clutch	2	
3-38	264039	Cap Screw	3	M6 × 30
3-39	264073	Washer	3	
3-40	262579	Fan Cover	1	
3-41	261250	Cap Screw	2	M5 × 20
3-42	263077	Magneto Ass'y	1	Includes 43~51
3-43	262619	•Rotor/Fan	1	
3-44	263078	•Ignitron Coil Ass'y	1	Includes 45~51
3-45	263079	••Coil	1	

Ref. No.	Part No.	Description	Q'ty	Remarks
3-46	262622	••Spark Plug Wire Ass'y	1	Includes 47~49
3-47	262623	•••Spark Plug Wire	1	
3-48	261074	•••Plug Boot	1	
3-49	261075	•••Connector	1	
3-50	261072	••Cap	1	
3-51	262694	••Insulator	1	$\phi 6 \times \phi 6.8 \times 100L$
3-52	261076	Woodruff Key	1	
3-53	262731	Nut, Rotor	1	M10
3-54	261078	Spacer	2	
3-55	261256	Cap Screw	2	M4 \times 25
3-56	261200	Spark Plug	1	NGK BPH6Y
3-57	262717	Wire, Coil Ground	2	
3-58	261202	Grommet	1	
3-59	263859	Fuel Tank Ass'y	1	Includes 60~81
3-60	262594	•Fuel Tank	1	
3-61	261584	•Fuel Tank Cap Ass'y	1	Includes 62~63
3-62	261578	••Fuel Tank Cap	1	
3-63	261105	••Gasket	1	
3-64	261696	•Breather Ass'y	1	Includes 65~67
3-65	261697	••Grommet	1	
3-66	261590	••Breather	1	
3-67	261698	••Clip	1	
3-68	262645	•Fuel Pipe Pick-up Ass'y	1	Includes 69~79
3-69	262646	••Fuel Pipe Ass'y	1	Includes 70~72
3-70	261115	•••Grommet	1	
3-71	262649	•••Fuel Pipe	1	
3-72	263038	•••Return Pipe	1	$\phi 3 \times \phi 5 \times 80L$
3-73	261797	••Fuel Filter Ass'y	1	Includes 74~78
3-74	261798	•••Clip	1	
3-75	261799	•••Body	1	
3-76	261800	•••Filter	2	
3-77	261801	•••Packing	1	
3-78	261802	•••Retainer	1	
3-79	261117	••Clip	1	
3-80	261119	•Pad	2	
3-81	262697	•Pad	1	
3-82	261117	Clip	1	
3-83	262129	Card, Starting Instruction	1	

MODELS: BC420H & BC500H

4. CARBURETOR AND RECOIL STARTER ASSEMBLY

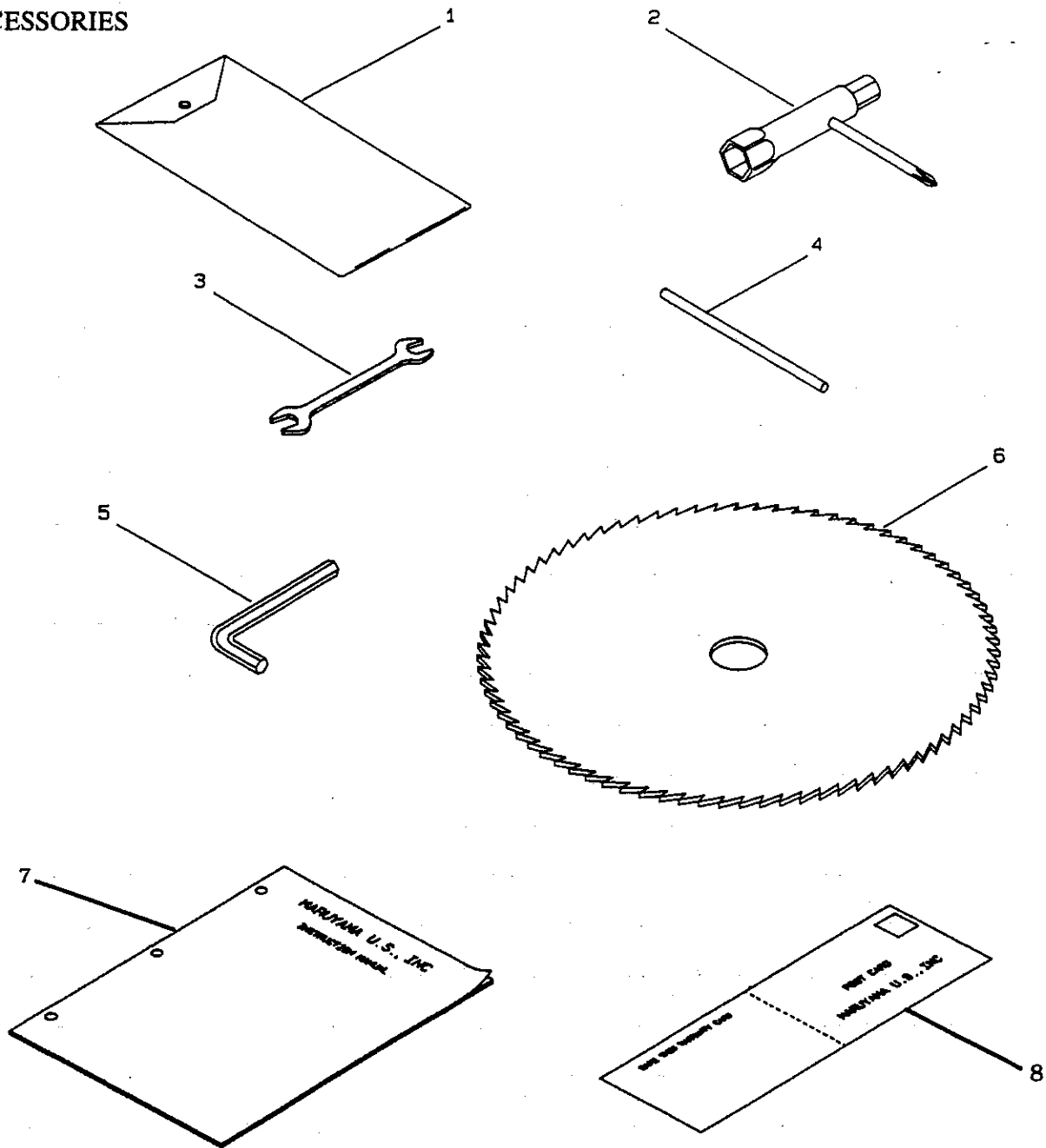


Ref. No	Part No	Description	Q'ty	Remarks
4- 1	263030	Carburetor Ass'y	1	Includes 2~28
4- 2	261871	•O-Ring	1	
4- 3	263247	•Main Jet	1	#50
4- 4	261637	•Gasket	1	
4- 5	261638	•Diaphragm, Fuel Pump	1	
4- 6	263290	•Pump Body	1	
4- 7	261642	•Gasket	1	
4- 8	261873	•Diaphragm, Metering	1	
4- 9	262496	•Diaphragm Body	1	
4-10	261644	•Diaphragm, Primer	1	
4-11	261650	•Retainer	1	
4-12	261649	•Spring	1	
4-13	264212	•Purge Body	1	
4-14	264211	•Primer Bulb	1	
4-15	264210	•Cover Plate	1	
4-16	263251	•Screw	4	
4-17	261876	•E-Ring	1	
4-18	263249	•Throttle Valve Ass'y	1	
4-19	261652	•Plug	1	
4-20	261658	•Swivel	1	
4-21	261875	•Screw	2	
4-22	263250	•Bracket	1	
4-23	261878	•Nut	1	
4-24	263994	•Adapter	1	
4-25	261653	•Injection Button	1	
4-26	261655	•O-Ring	1	
4-27	261656	•Spring	1	
4-28	261657	•Packing	1	
4-29	262587	Gasket	1	
4-30	262640	Air Filter Case	1	
4-31	262590	Air Filter Ass'y	1	Includes 32~36
4-32	262643	•Foam Element	1	
4-33	261734	•Snap Ring	1	
4-34	262591	•Air Filter Cover	1	
4-35	261018	•Knob	1	
4-36	262727	•Screen	1	
4-37	262720	Cap Screw	2	M5×55
4-38	261803	Label	1	
4-39	263526	Rewind Starter Ass'y	1	Includes 40~49
4-40	262631	•Rope Ass'y	1	Includes 41~43
4-41	262633	••Starter Grip	1	
4-42	262632	••Starter Rope	1	
4-43	262981	••Cap	1	
4-44	263527	•Starter Case	1	Include 45
4-45	081028	••Nut	2	M5
4-46	262627	•Rewind Spring	1	
4-47	262626	•Pulley	1	
4-48	262982	•Washer	1	
4-49	262629	•Screw	1	
4-50	262634	Starter Pawl Ass'y	1	Includes 50~54
4-51	262636	•Pawl	1	
4-52	262637	•Return Spring	1	
4-53	262635	•Pawl Case	1	

Ref. No.	Part No.	Description	Q'ty	Remarks
4-54	262638	•E-Ring	1	
4-55	261257	Cap Screw	4	M4×16
4-56	262924	Label (AE420)	1	
4-56	264139	Label (AE500)	1	
4-57	263281	Stand	1	
4-58	261607	Cap Screw	2	M5×16

MODELS: BC420H & BC500H

5. ACCESSORIES



Ref.No.	Part No.	Part Name	Q'ty	Remarks
5- 1	054753	Tool Bag	1	
5- 2	210418	Box Spanner	1	13×19×⊕Screw driver
5- 3	022865	Double-ended Wrench	1	8×10
5- 4	210181	Lever Handle	1	
5- 5	219433	Wrench	1	5mm
5- 6	210844	Saw Blade	1	10inch
5- 7	219155	Instruction Manual	1	
5- 8	216007	Warranty Card	1	

